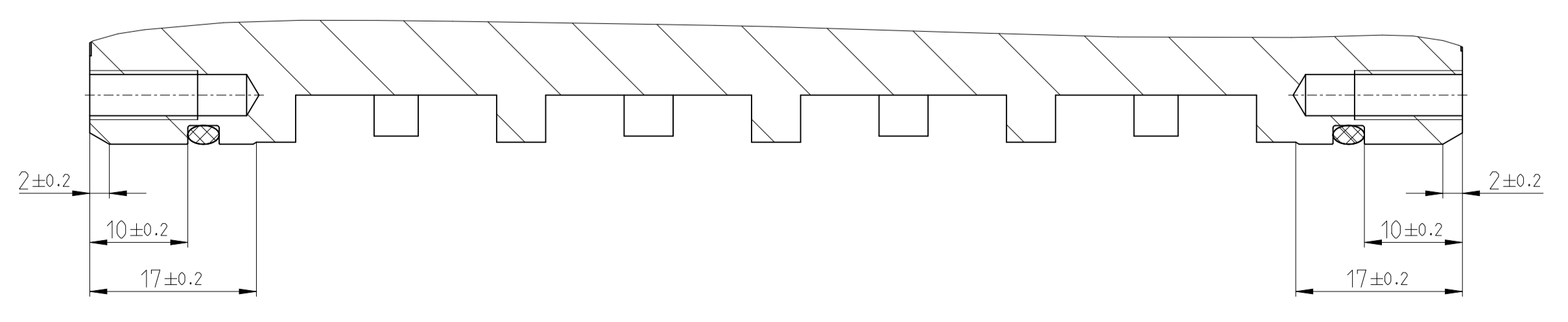
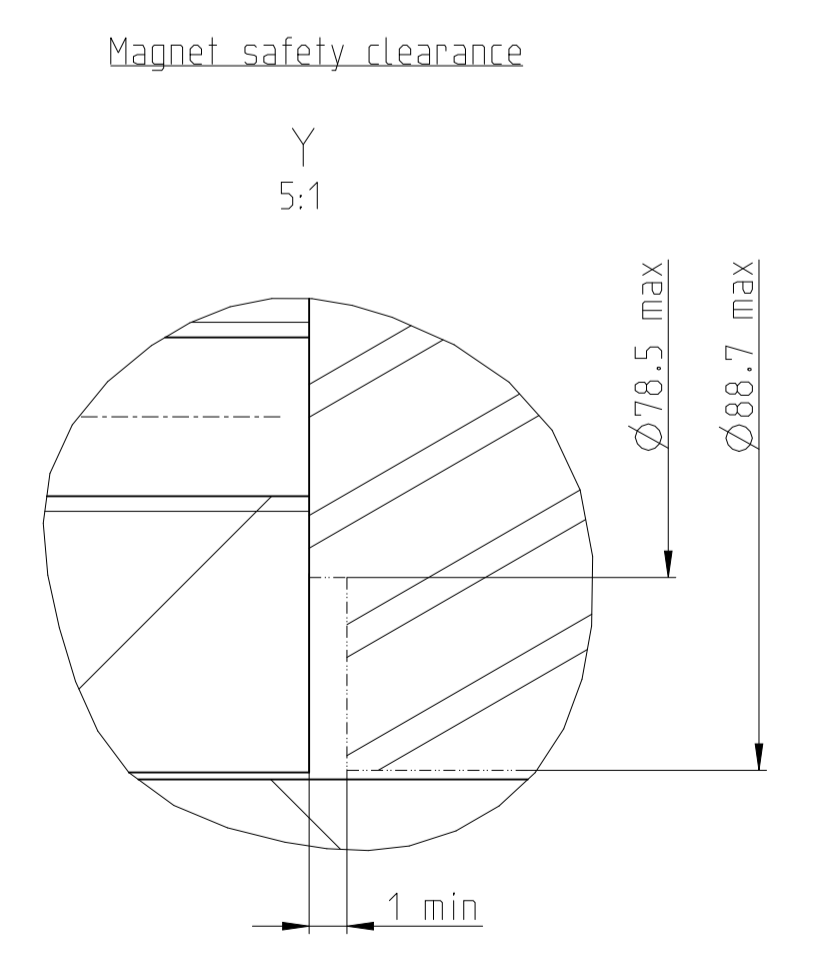
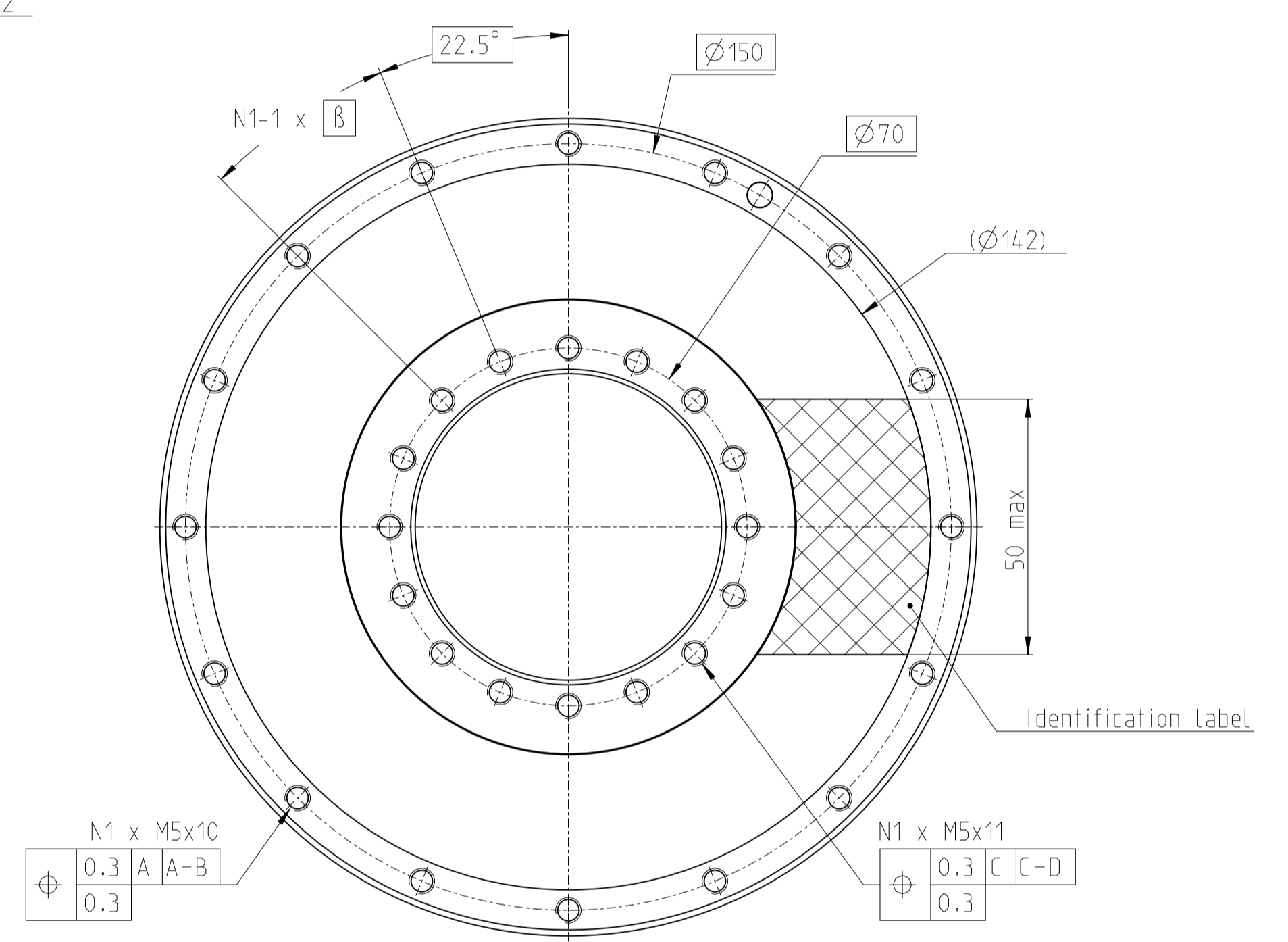
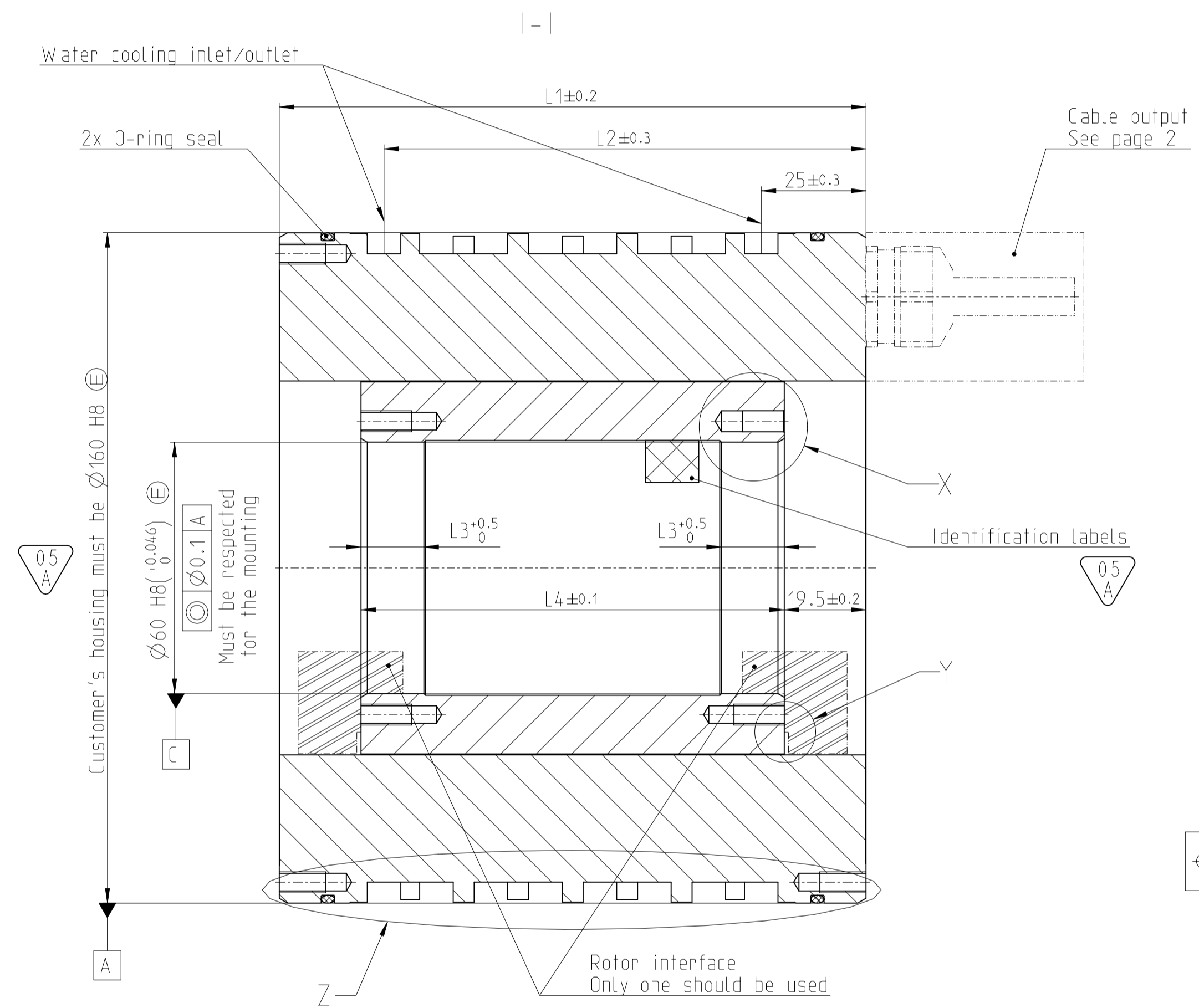
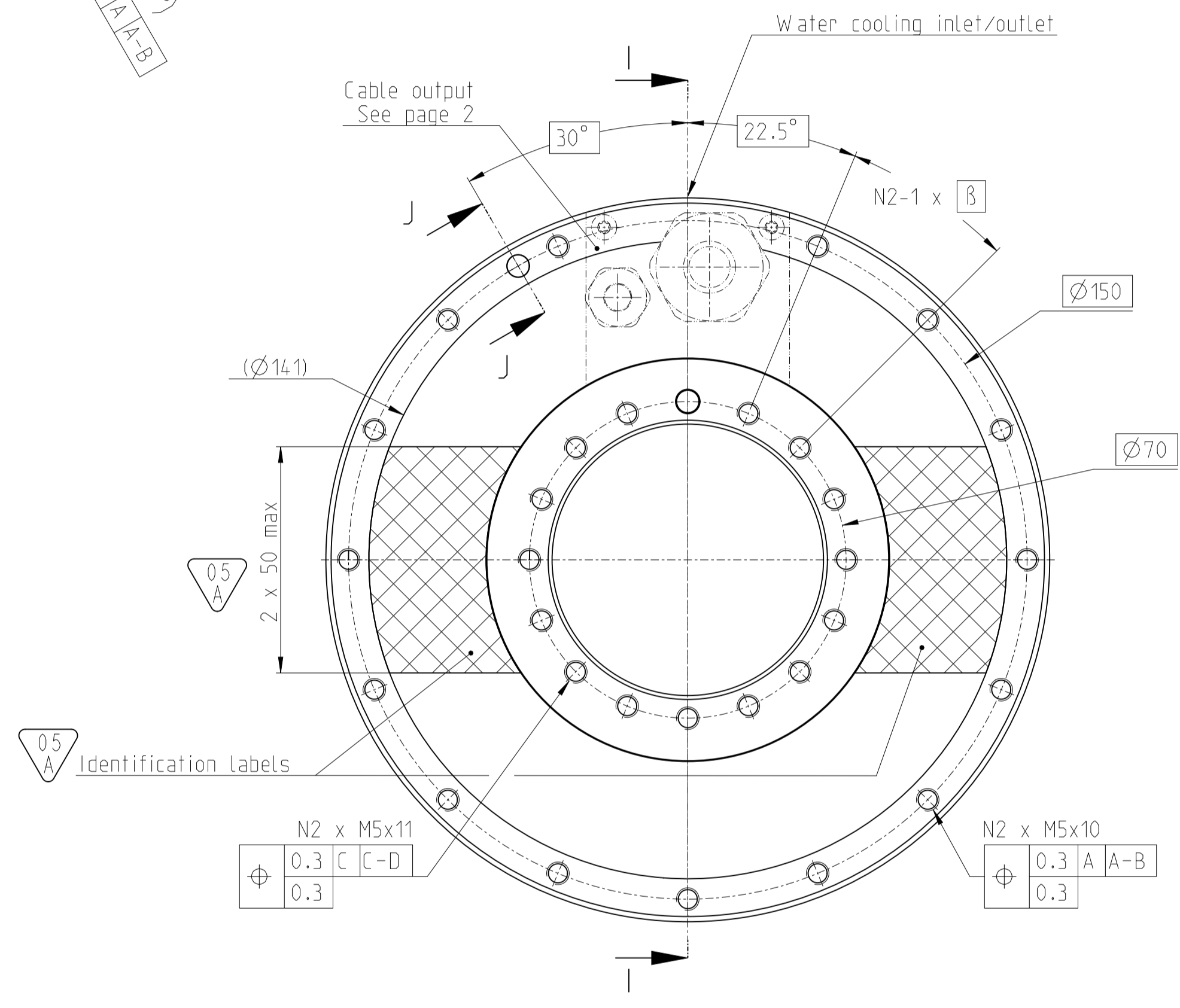
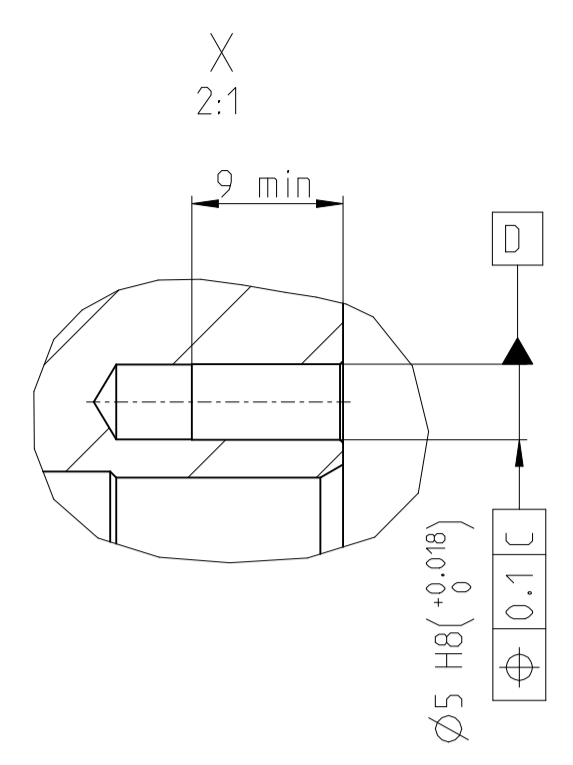
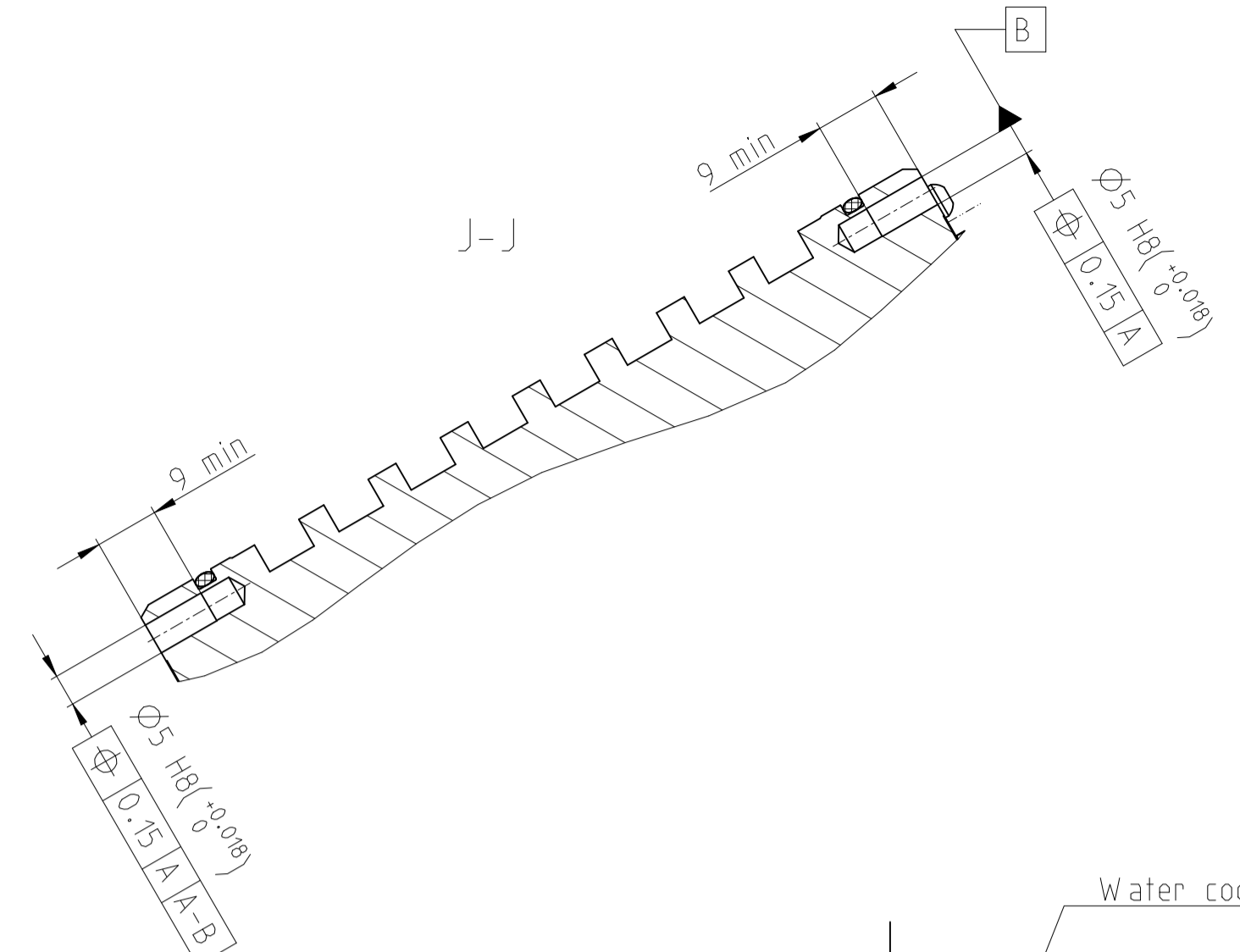


Torque **Motors**

TMB+ INTERFACE DRAWINGS

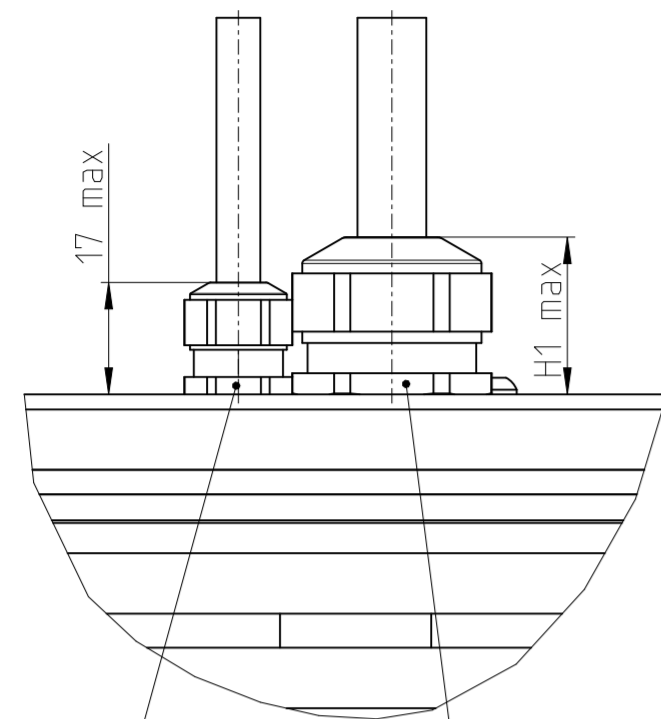
ETEL



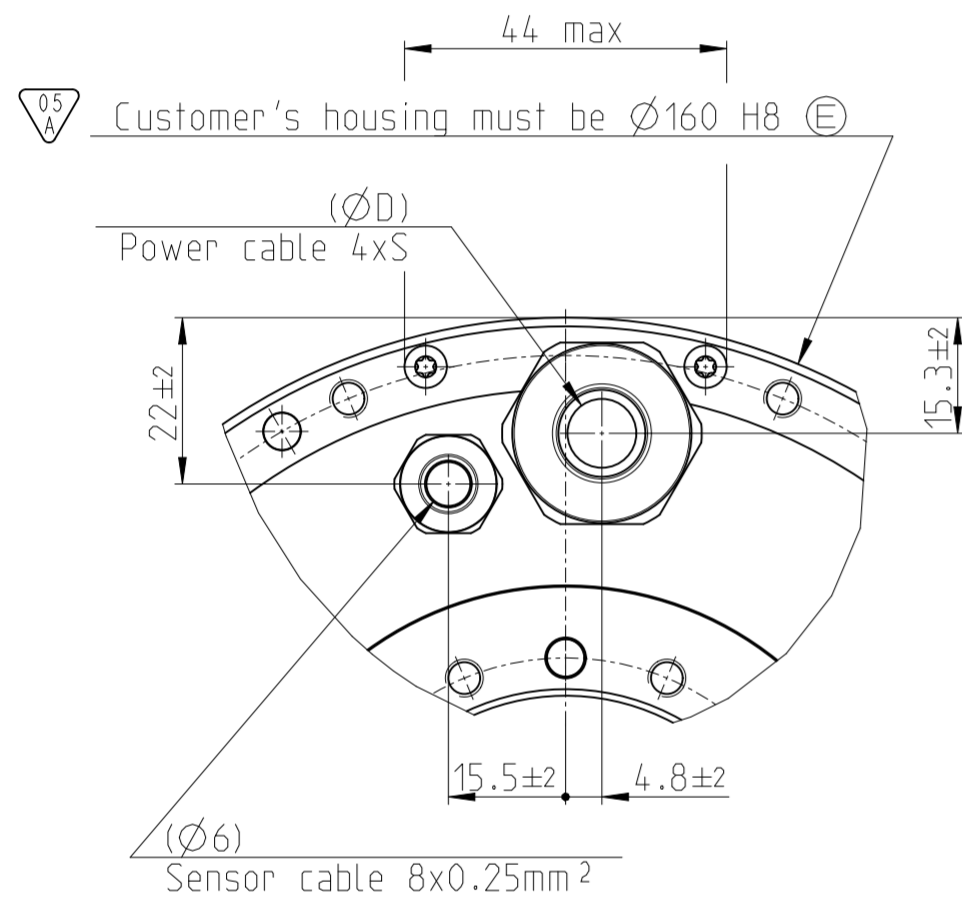
Designation	L1	L2	L3	L4	N1	N2	β
TMB+0140-030	70	45	10	31	8	8	45°
TMB+0140-050	90	65		51			
TMB+0140-070	110	85	15	71	16	15	22.5°
TMB+0140-100	140	115		101			
TMB+0140-150	190	165		151			
TMB+0140-200	240	215		202			

Text:		ID number:
Original drawing		Change No. C075986-30
Scale 1:1		Released: 08.12.2021
Format A1		Tolerances as per ISO 8015 : 2011
Dimensions in mm		Tolerances selon ISO 8015 : 2011
		Dimensions without tolerance ± 0.2
		Dimensions sans tolérances ± 0.2
The reproduction, distribution and utilization of this document as well as the communication of its contents to others without express authorization is prohibited. Offenders will be held liable for the payment of damages. All rights reserved in the event of the grant of a patent, utility model or design. (ISO 18015)		
ETEL ETEL S.A. 2112 Möllers SWITZERLAND		Version Revision Sheet Page
		1175001-05-A-01 1 of 2

Type 1

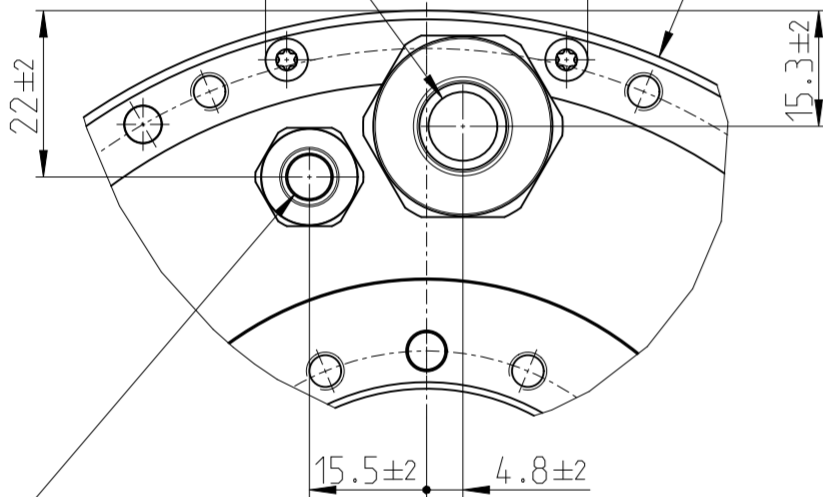


Wrench size: 13mm Wrench size: SWmm

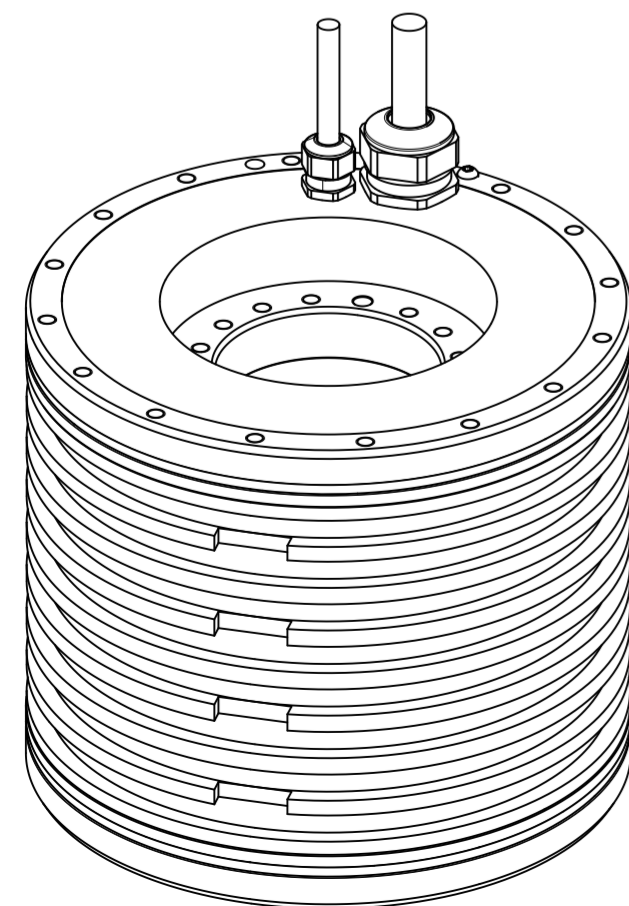


Customer's housing must be $\varnothing 160$ H8 (E)

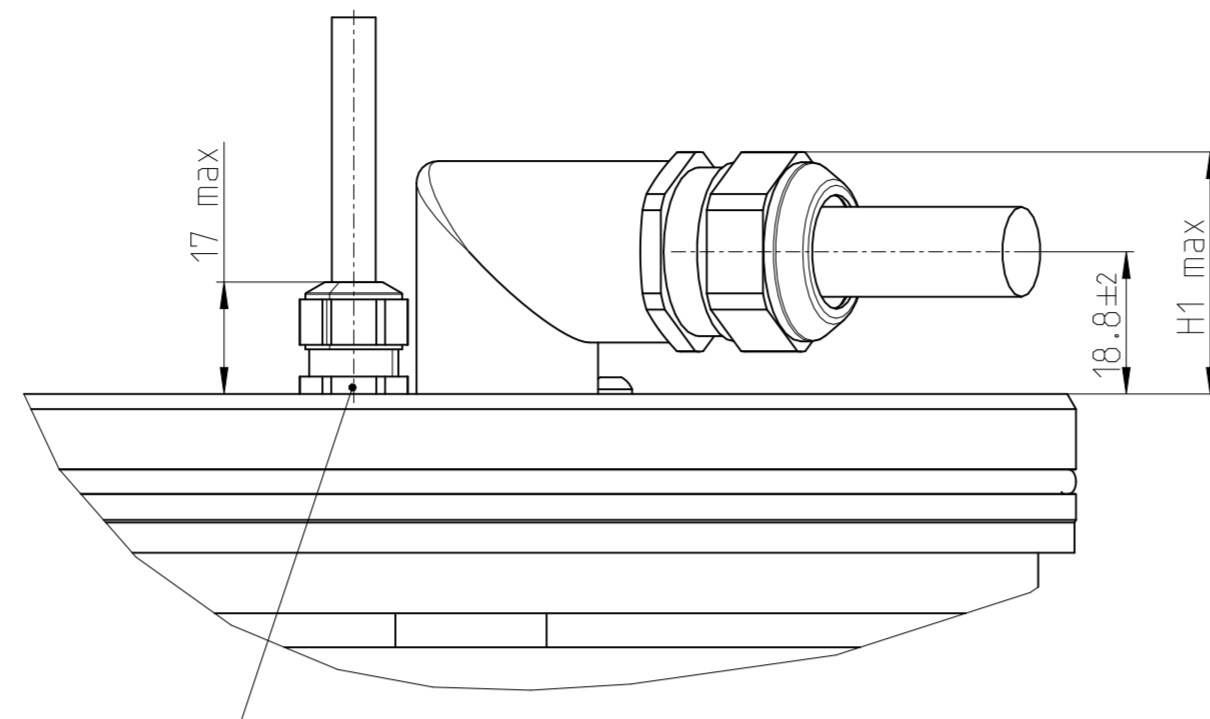
Power cable 4xS



Sensor cable 8x0.25mm²

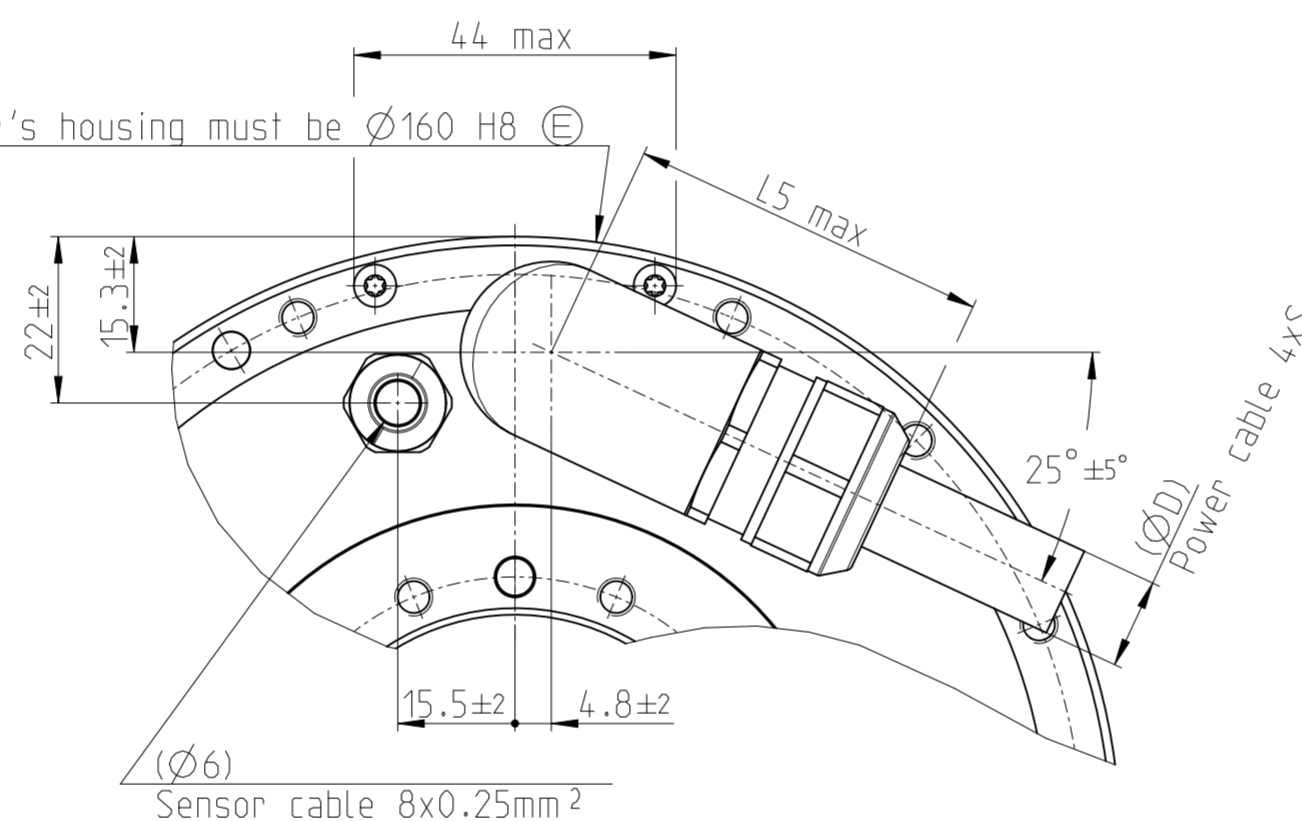


Type 2

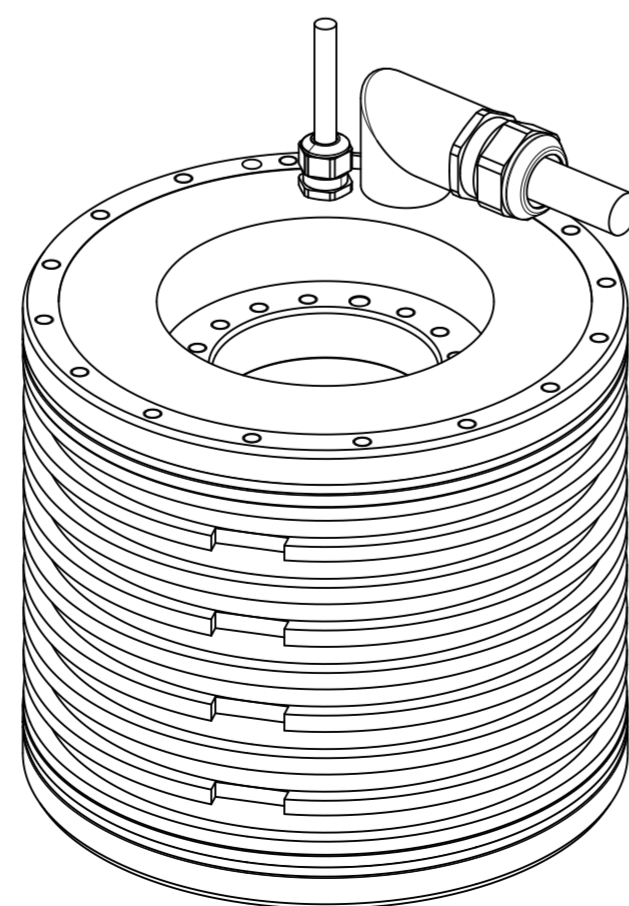


Wrench size: 13mm

Customer's housing must be $\varnothing 160$ H8 (E)

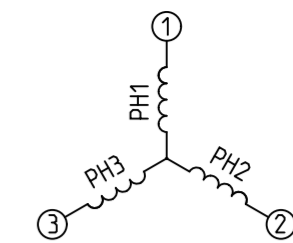


Sensor cable 8x0.25mm²

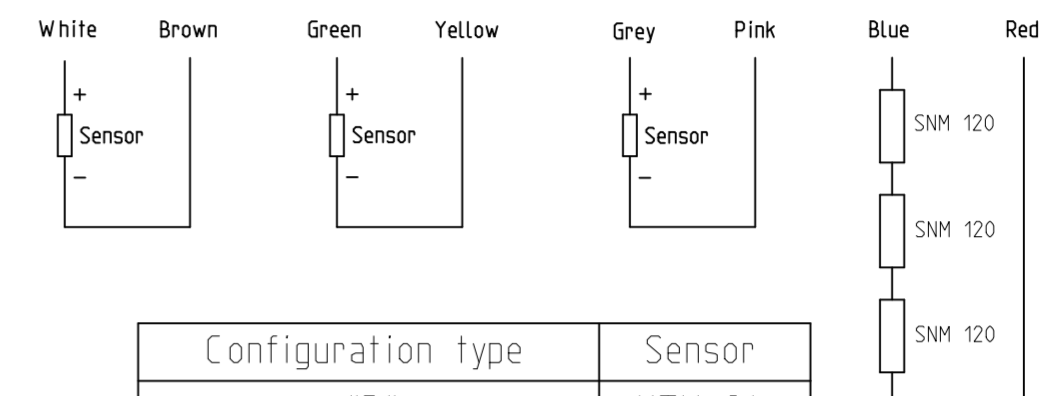


Power cable connection

Phase 1 = wire 1
Phase 2 = wire 2
Phase 3 = wire 3
PE = yellow/green wire



Sensor cable connection: "P" or "T" configuration



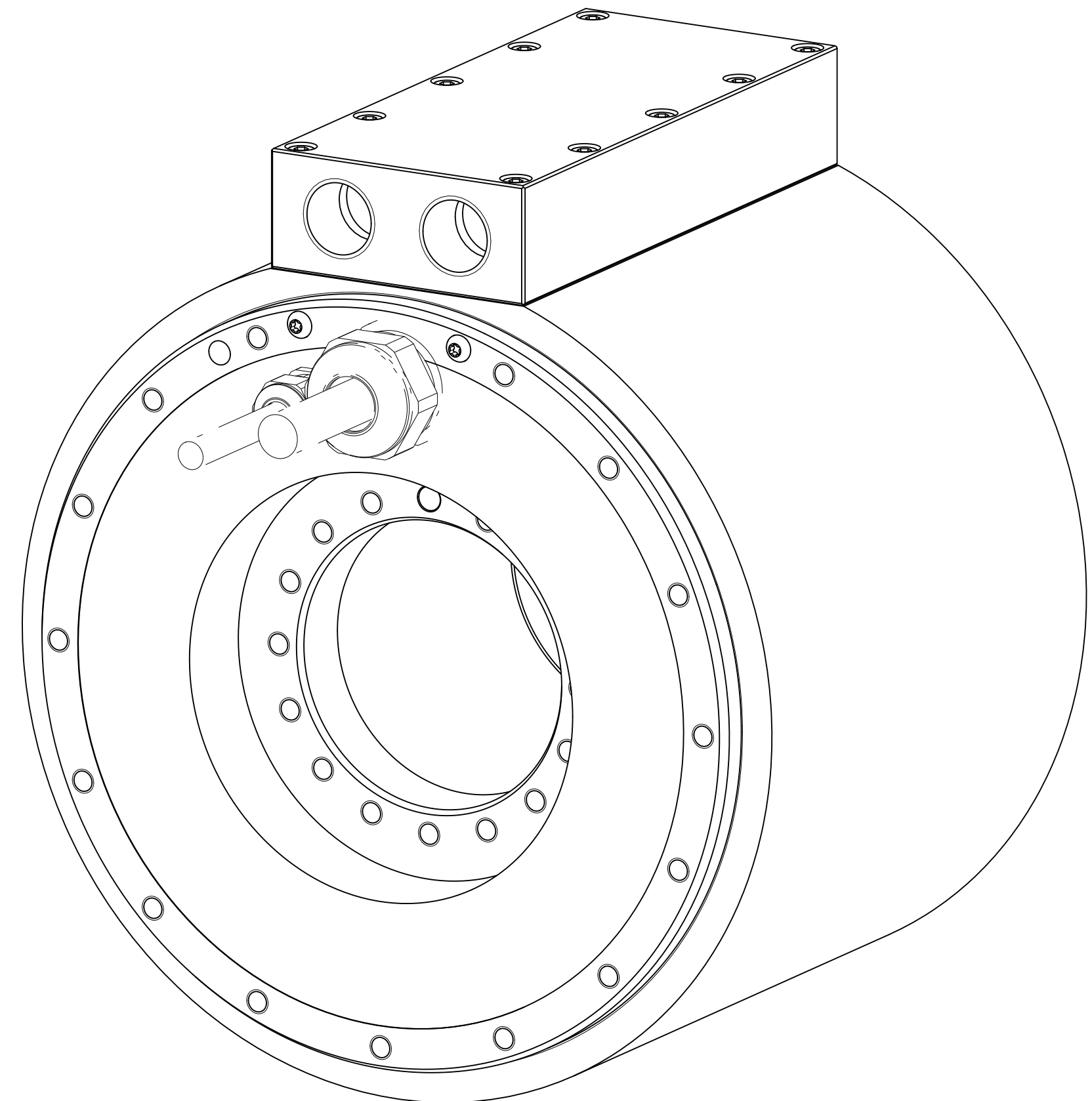
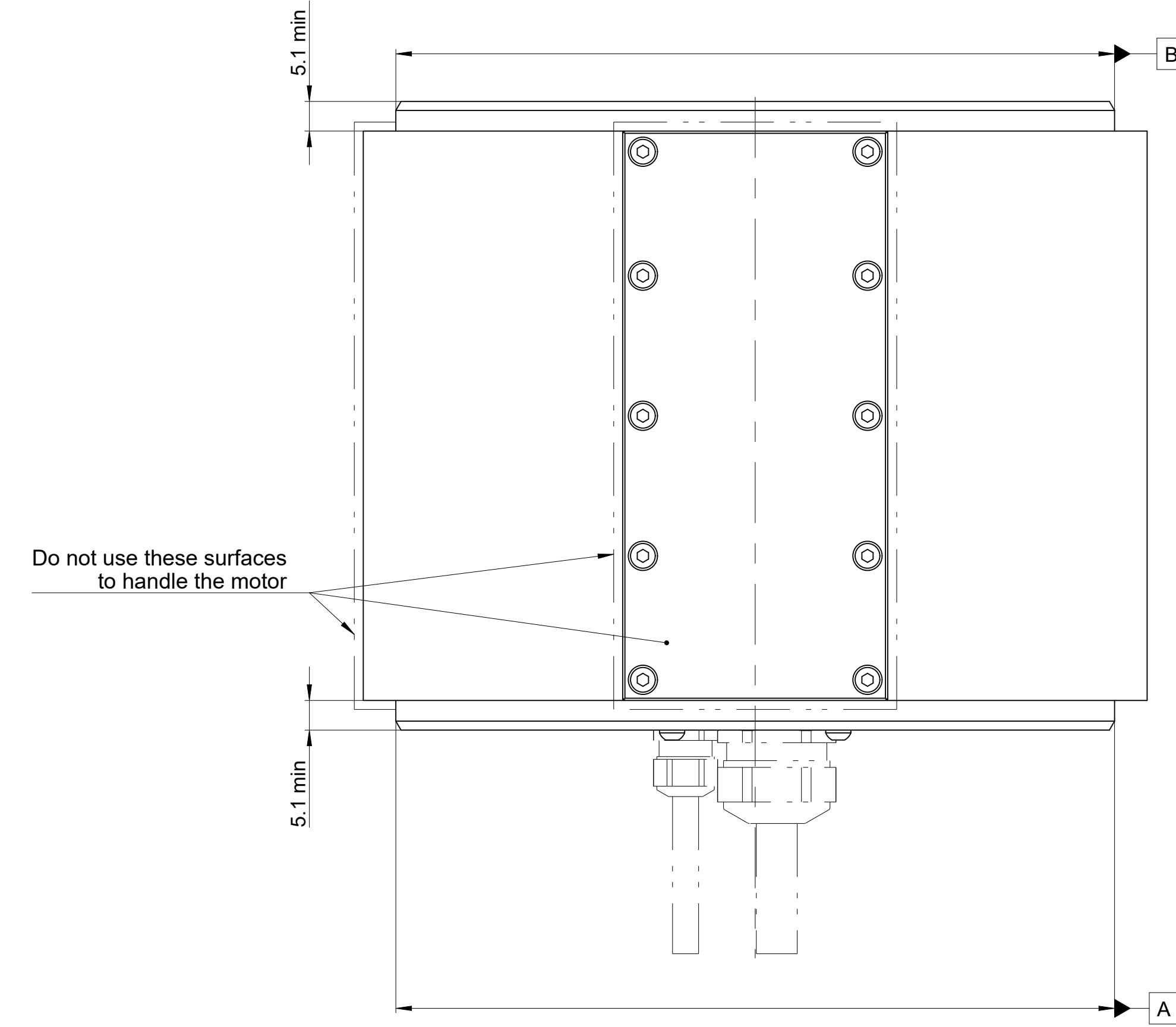
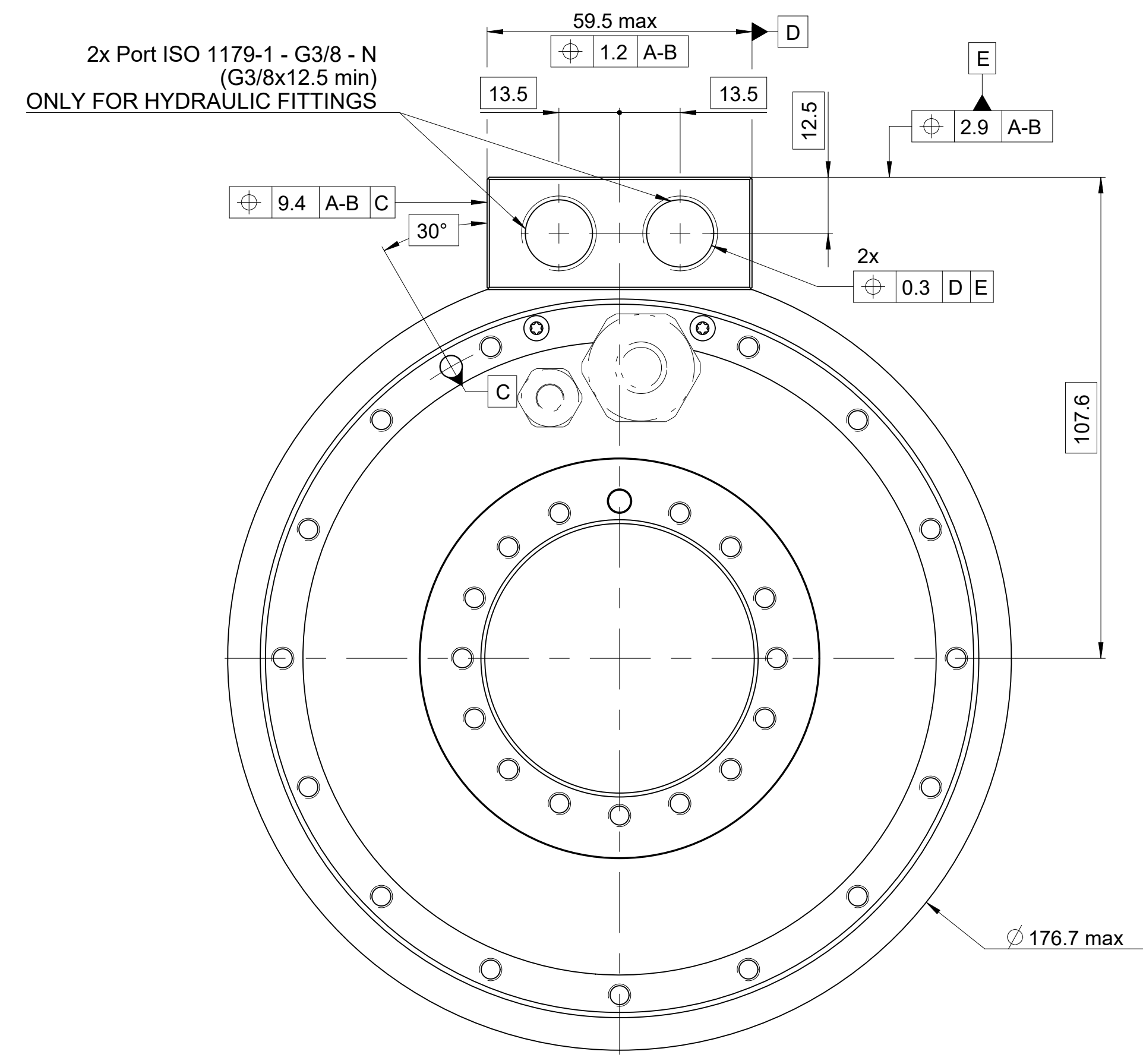
Configuration type	Sensor
"P"	KTY 84
"T"	PT 1000

Motor family	0140 0175 0291	0210	0290 0360 0450 0530 0760 0990 1221
Connection	White - Brown	Phase 1	Phase 3
	Green - Yellow	Phase 3	Phase 2
	Grey - Pink	Phase 2	Phase 1

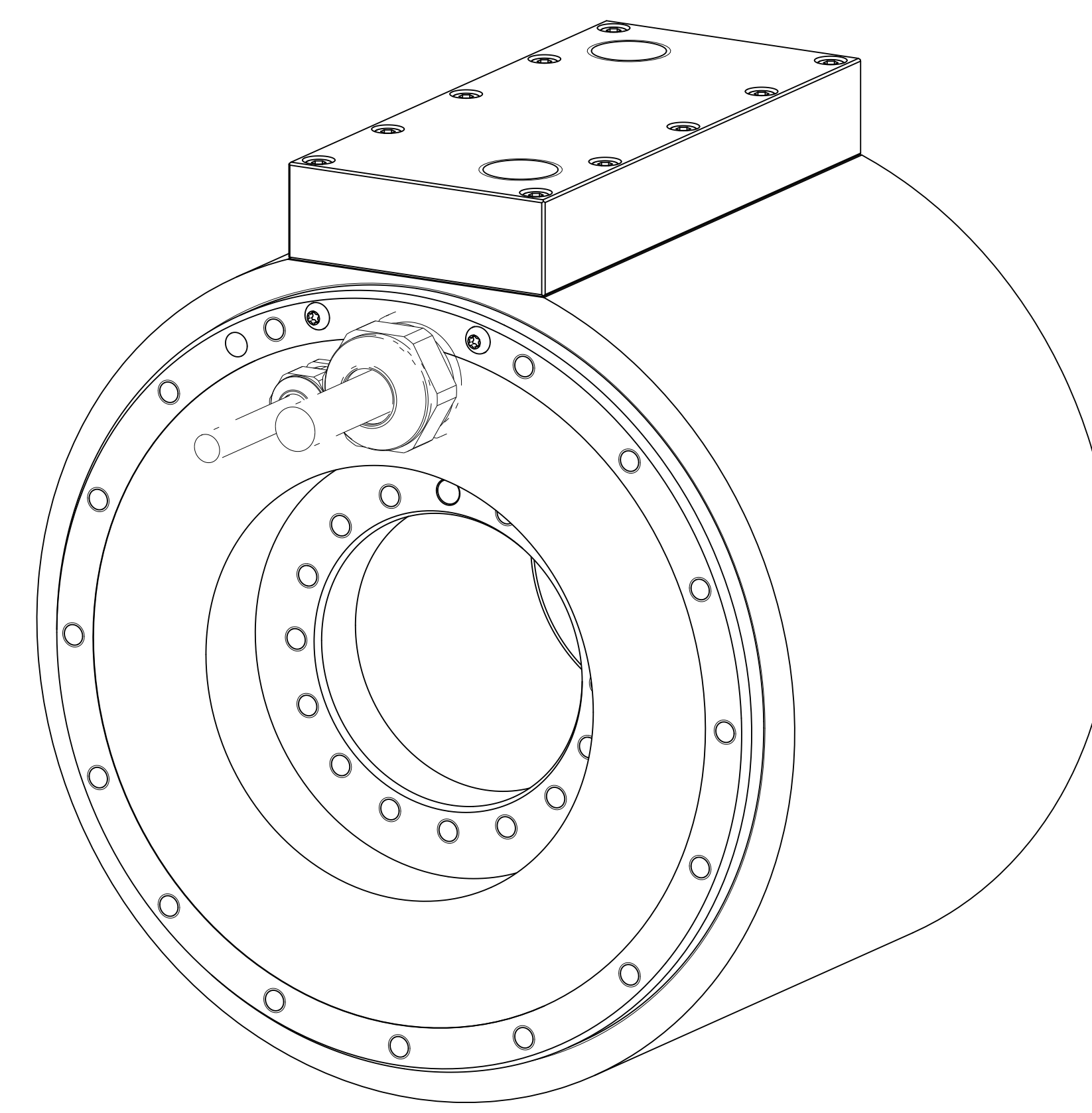
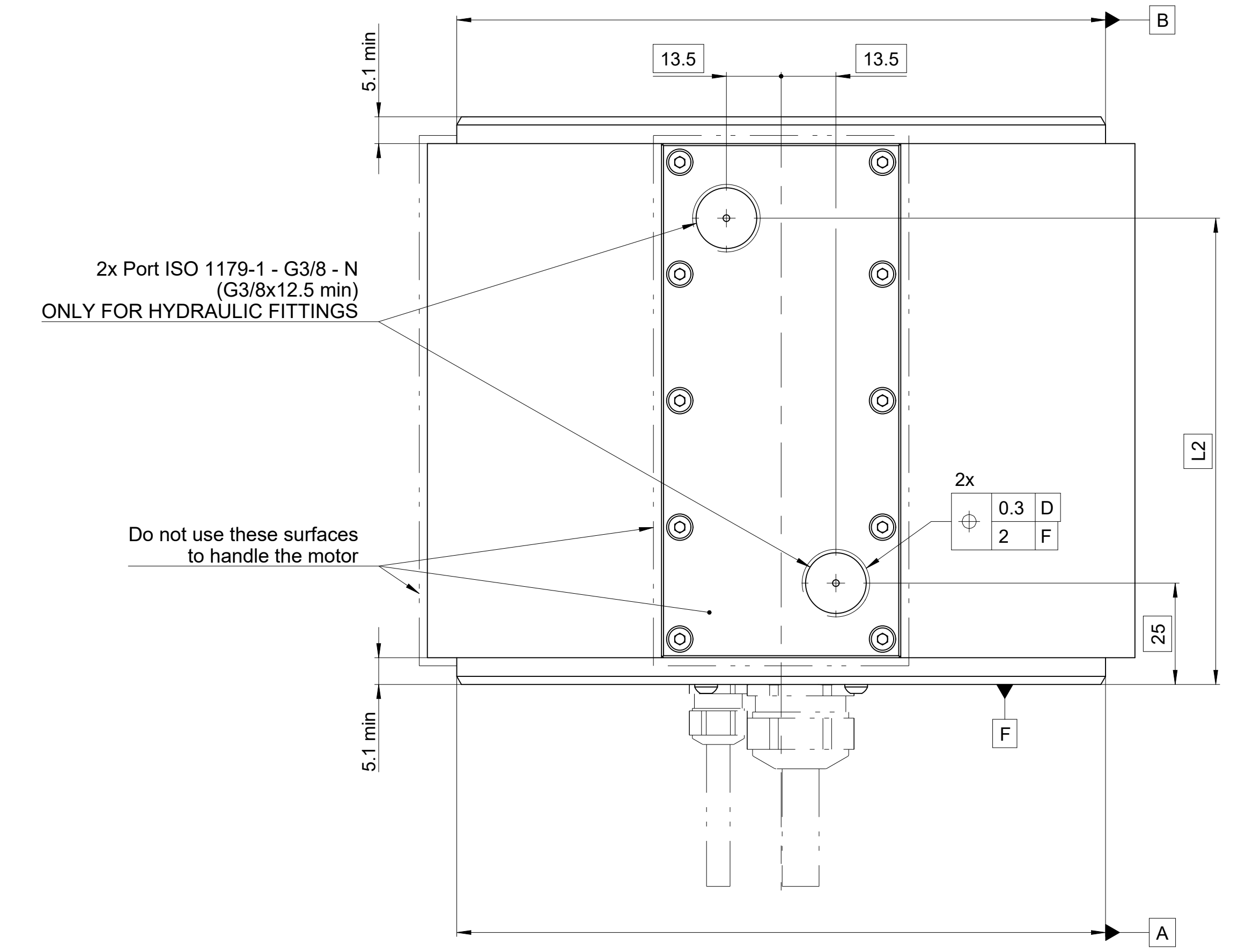
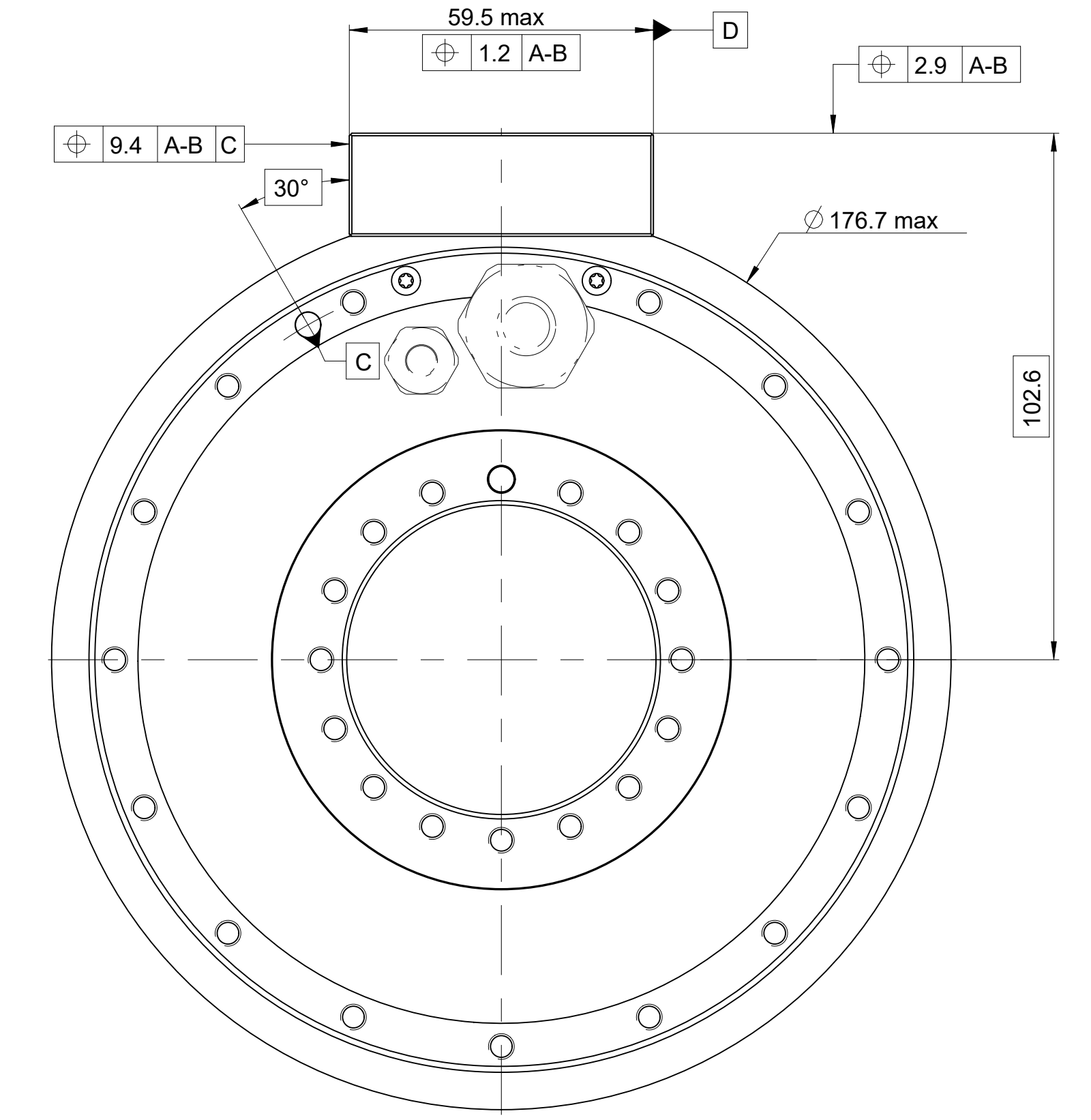
Designation	Output type	S= Wire section [mm ²]	L5 [mm]	H1 [mm]	D [mm]	SW [mm]	Bending radius [mm]
TMB+0140-###-RA#S#	Type 1	1.5	-	26	9.1	24	Static bending radius for : - sensor cable = 30 - power cable = 4x ØD
TMB+0140-###-RA#E#	Type 2		51.5	34.5			
TMB+0140-###-SA#S#	Type 1		-	26			
TMB+0140-###-SA#E#	Type 2		51.5	34.5			
TMB+0140-###-SB#S#	Type 1		-	26			
TMB+0140-###-SB#E#	Type 2		51.5	34.5			
TMB+0140-###-TA#S#	Type 1	4	-	26	11.9		
TMB+0140-###-TA#E#	Type 2		51.5	34.5			
TMB+0140-###-UB#S#	Type 1	-	28				
TMB+0140-###-UB#E#	Type 2	53.5	34.5				

Text:		ID number:	
Change No. C075986-30		Released: 08.12.2021	
Original drawing		TMB+0140-###-#####-O#-AA0	
Scale: 1:1		TMB+0140-###-#####-O#-AA0	
Format: A2		Mating Dimensions / Cotes d'encombrement	
Dimensions in mm		Tolerances as per ISO 8015 : 2011 Tolérances selon ISO 8015 : 2011	
The reproduction, distribution and utilization of this document as well as the communication of its contents to others without express authorization is prohibited. Offenders will be held liable for the payment of damages. All rights reserved in the event of the grant of a patent, utility model or design. (ISO 16016)		Dimensions without tolerance ± 0,2 Dimensions sans tolérances	
ETEL ETEL S.A. 2112 Môtiers SWITZERLAND		Version Revision Sheet Page	
		1175001-05-A-01	
		Document number	

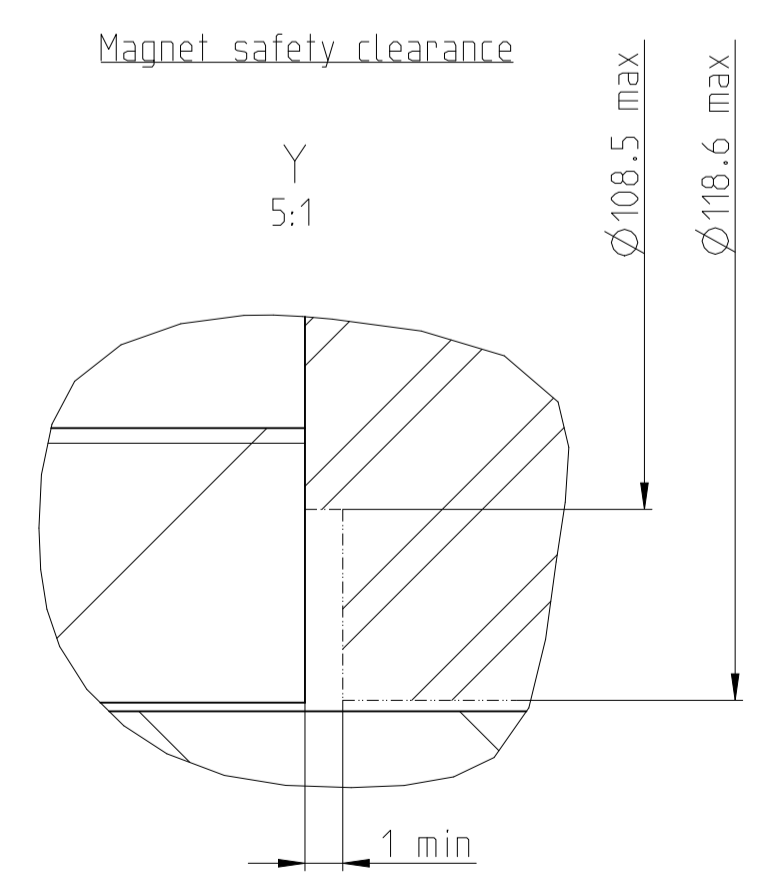
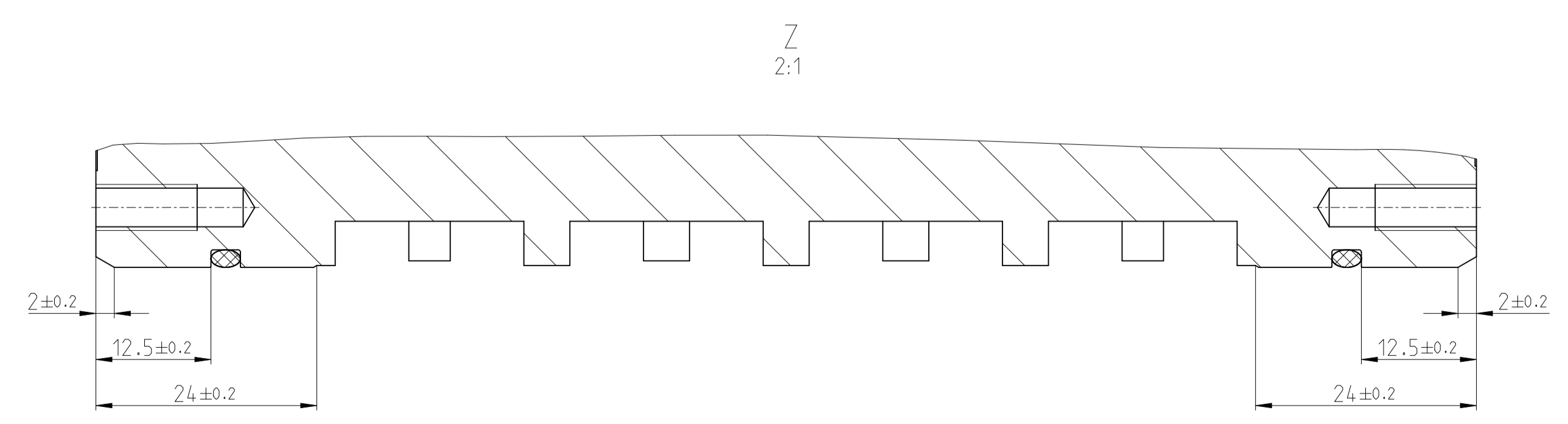
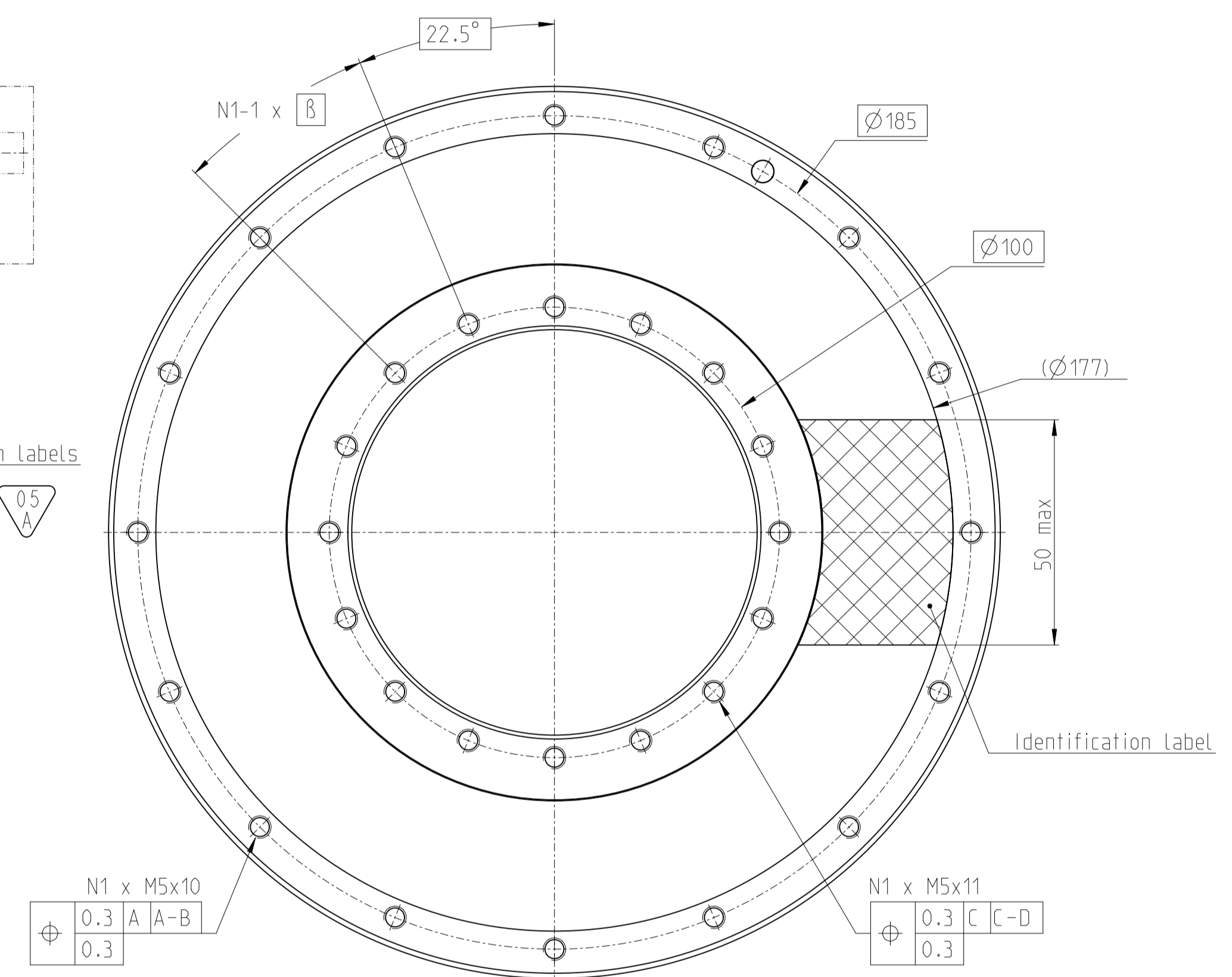
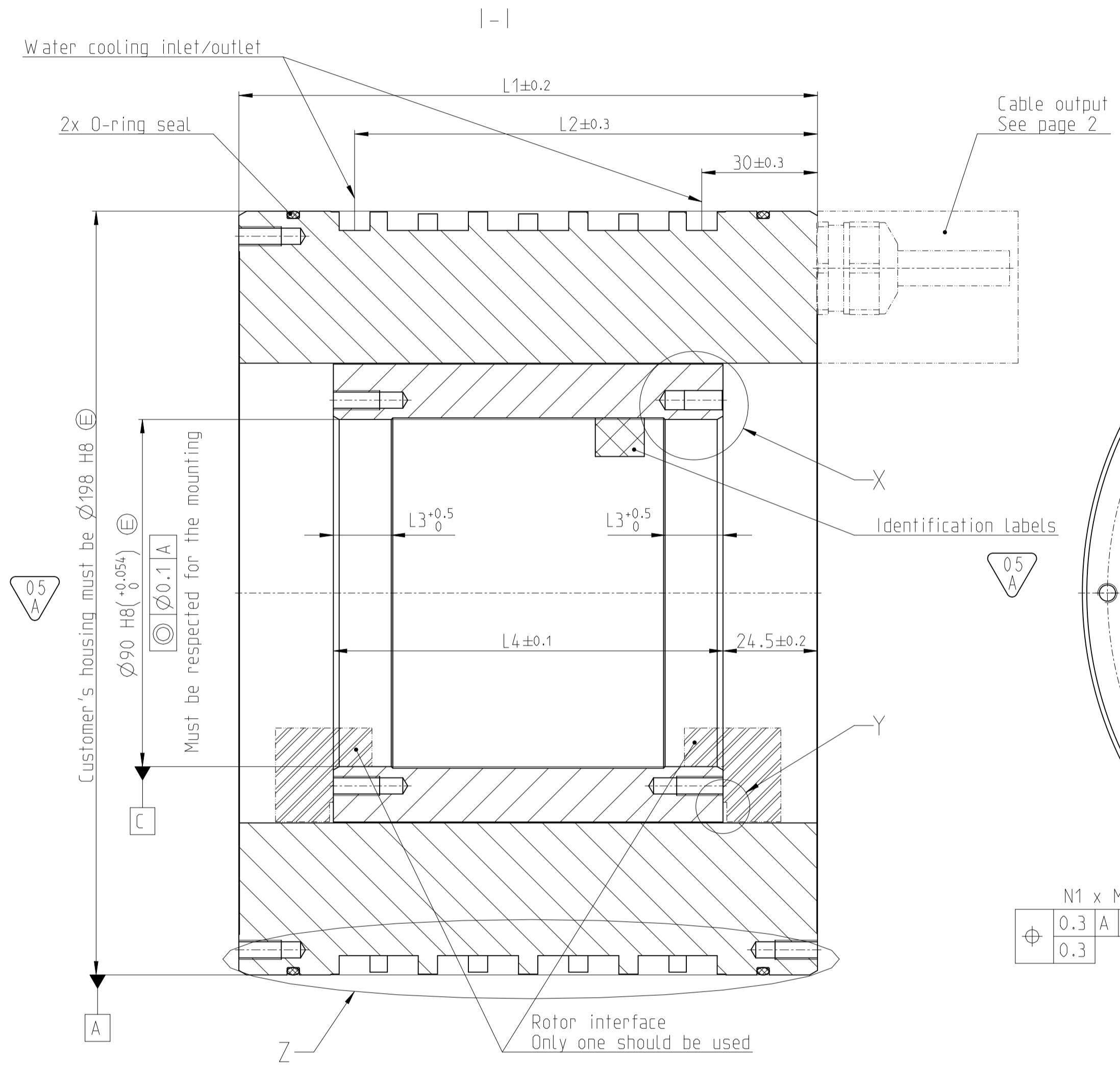
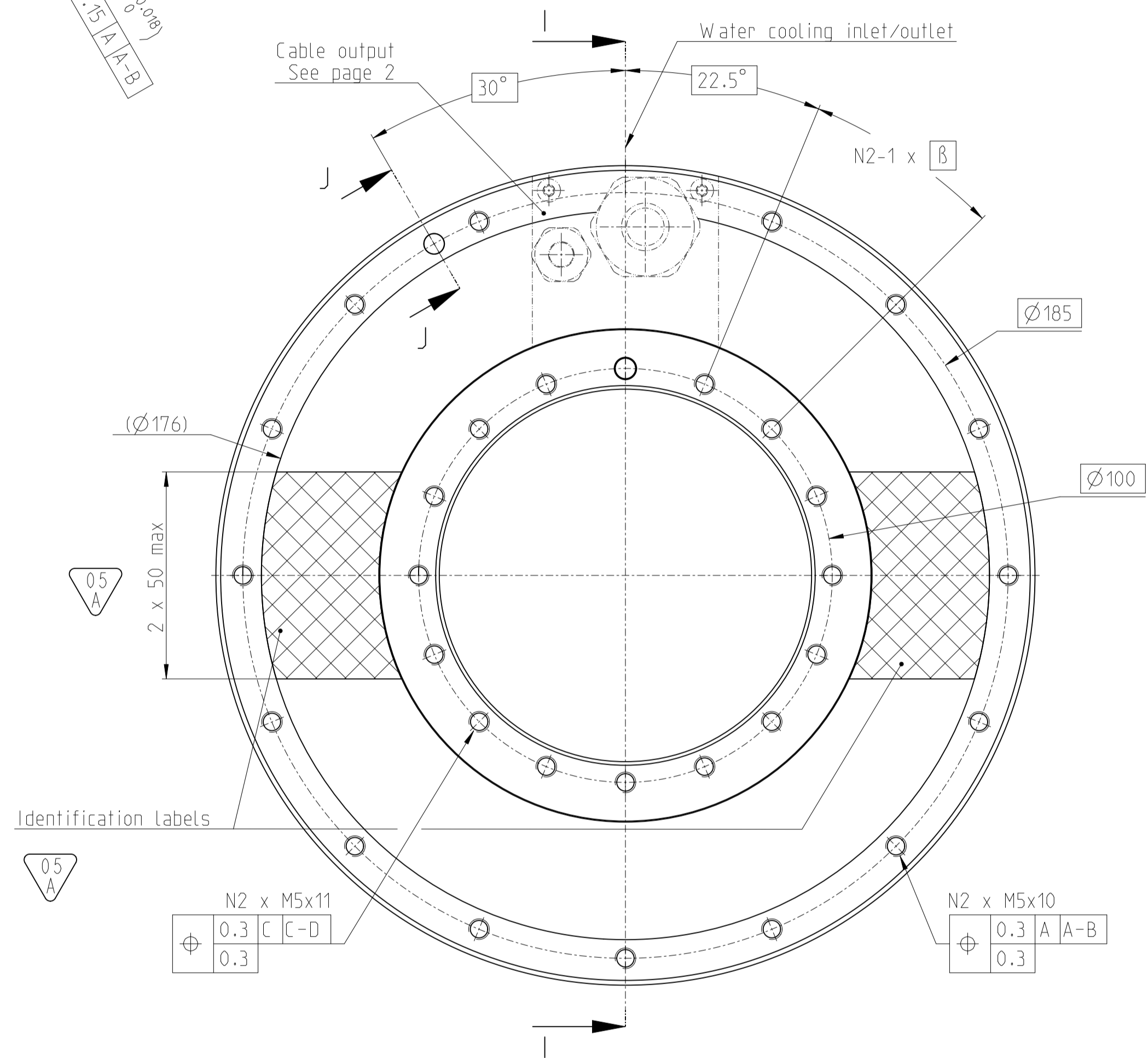
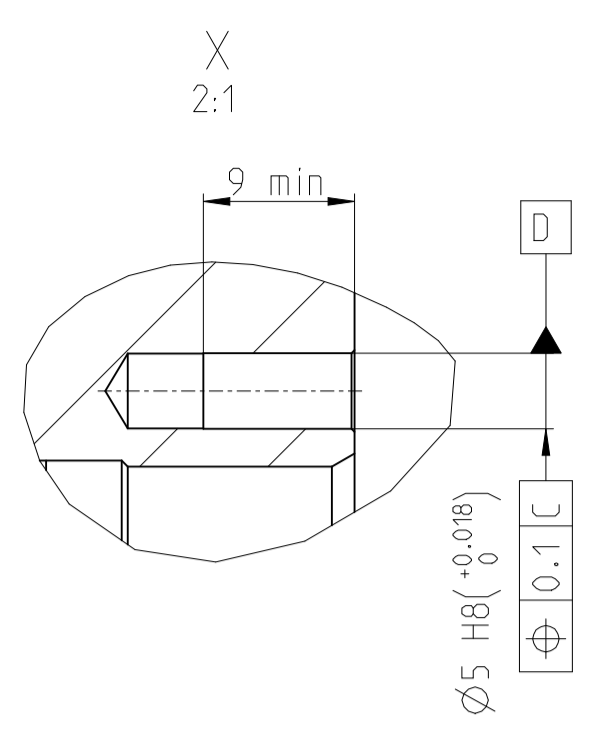
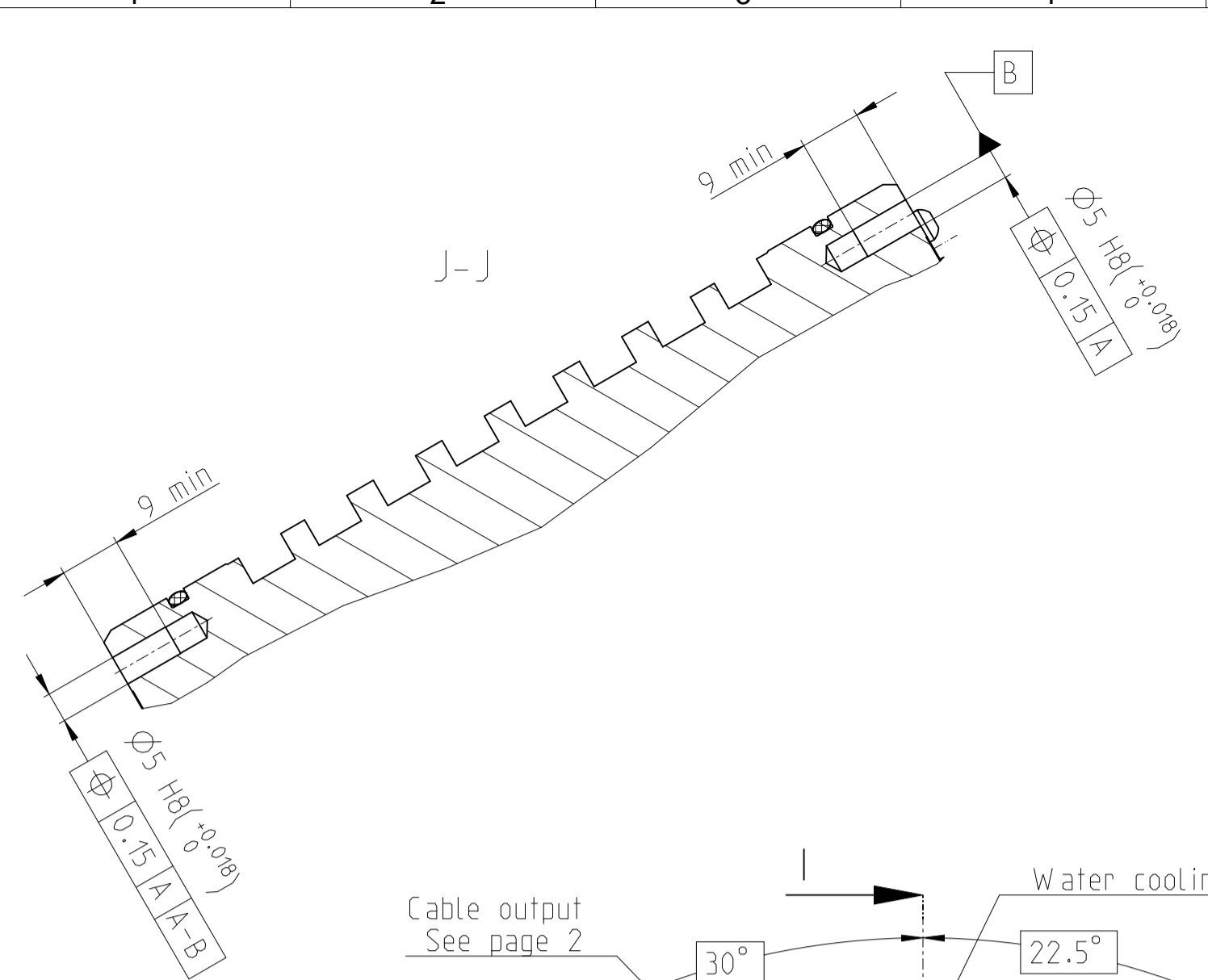
TMB+0140-###-#####-A#-AA0
 (Annex to interface drawing 1175001: please check for motor and cable output information)



TMB+0140-###-#####-R#-AA0
 (Annex to interface drawing 1175001: please check for motor and cable output information)

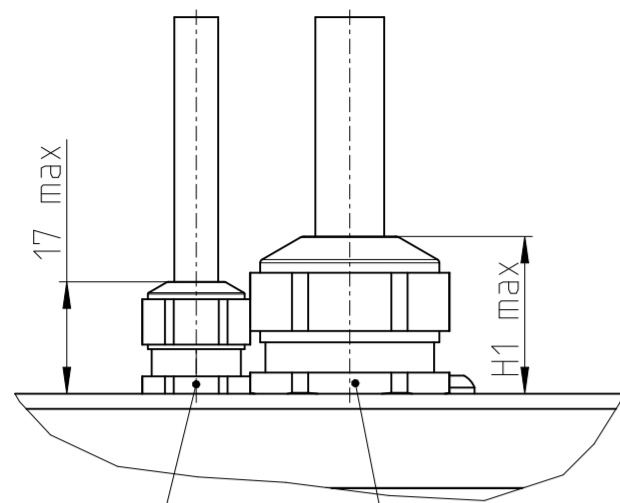


Designation	L2
TMB+0140-030	45
TMB+0140-050	65
TMB+0140-070	85
TMB+0140-100	115
TMB+0140-150	165
TMB+0140-200	215

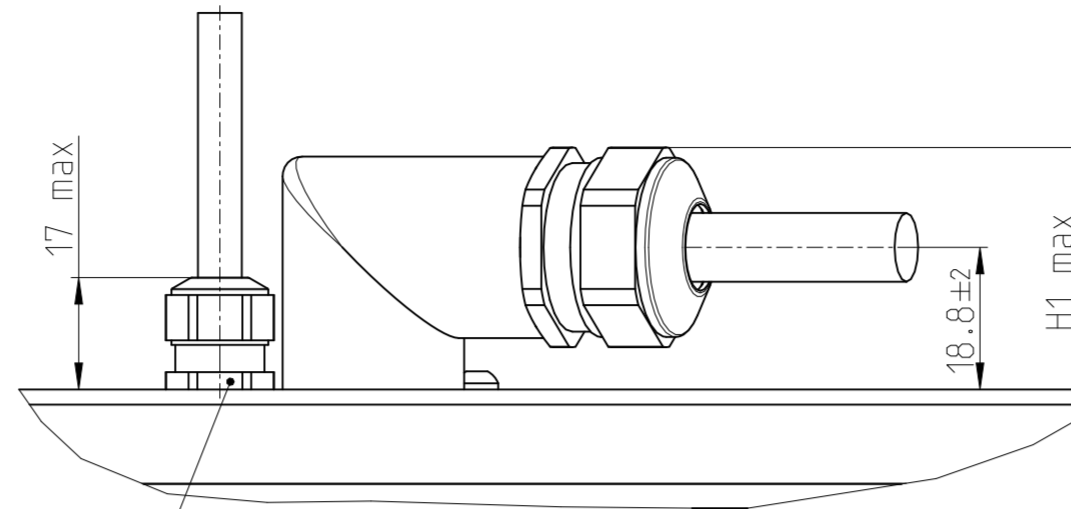


Designation	L1	L2	L3	L4	N1	N2	β
TMB+0175-030	80	50	10	31	8	8	45°
TMB+0175-050	100	70		51			
TMB+0175-070	120	90	15	71	16	15	22.5°
TMB+0175-100	150	120		101			
TMB+0175-150	200	170		151			
TMB+0175-200	250	220	202				

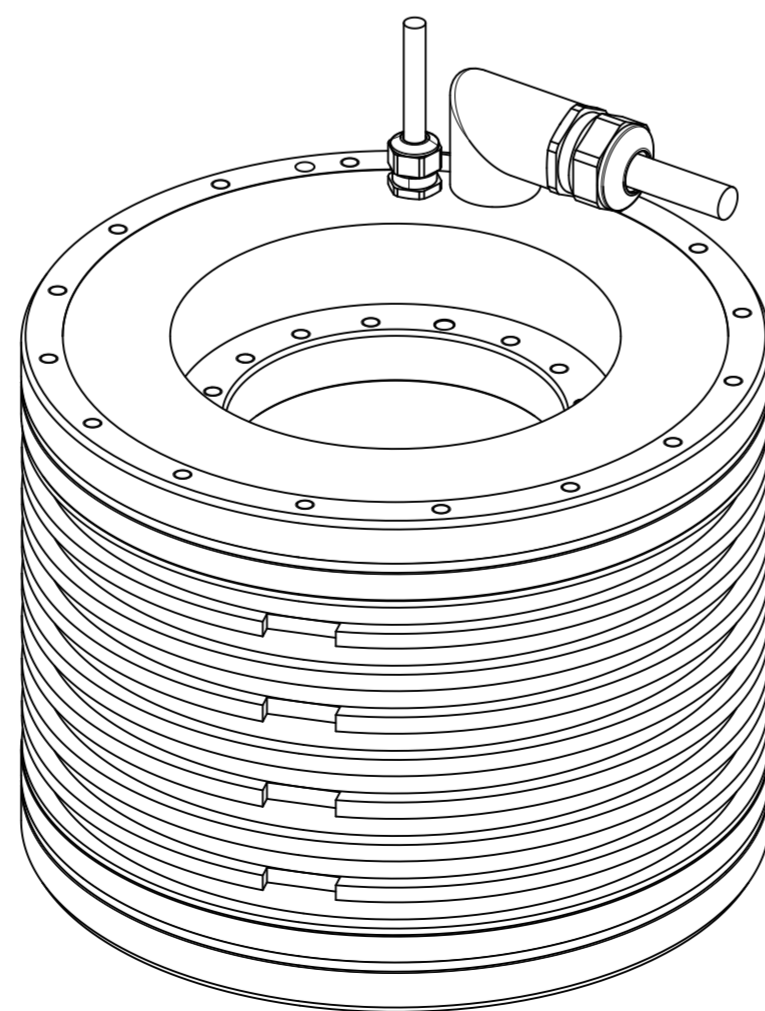
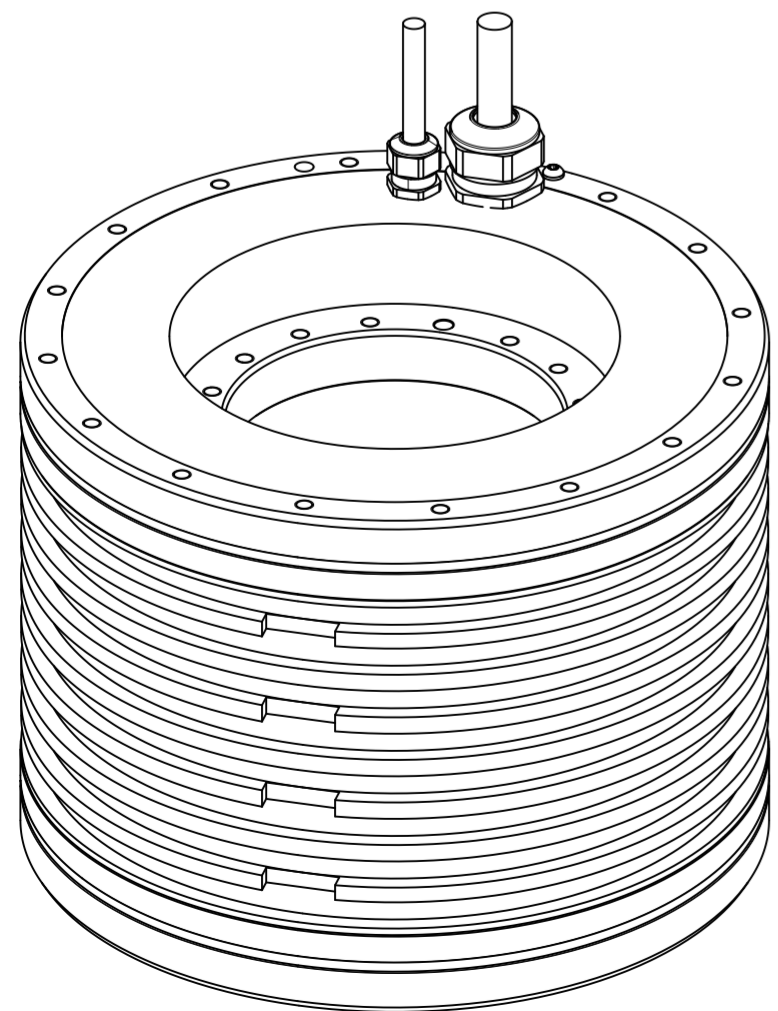
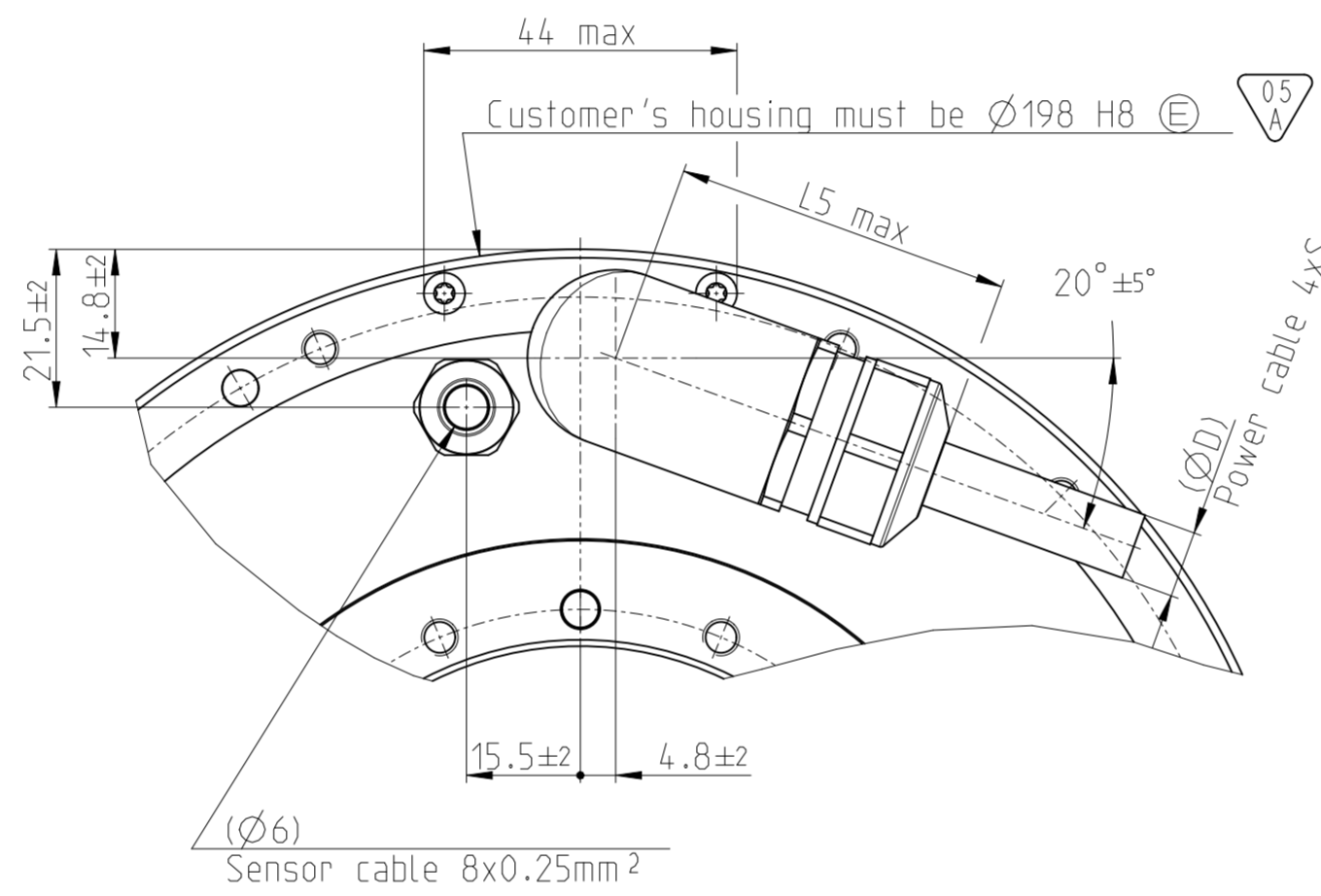
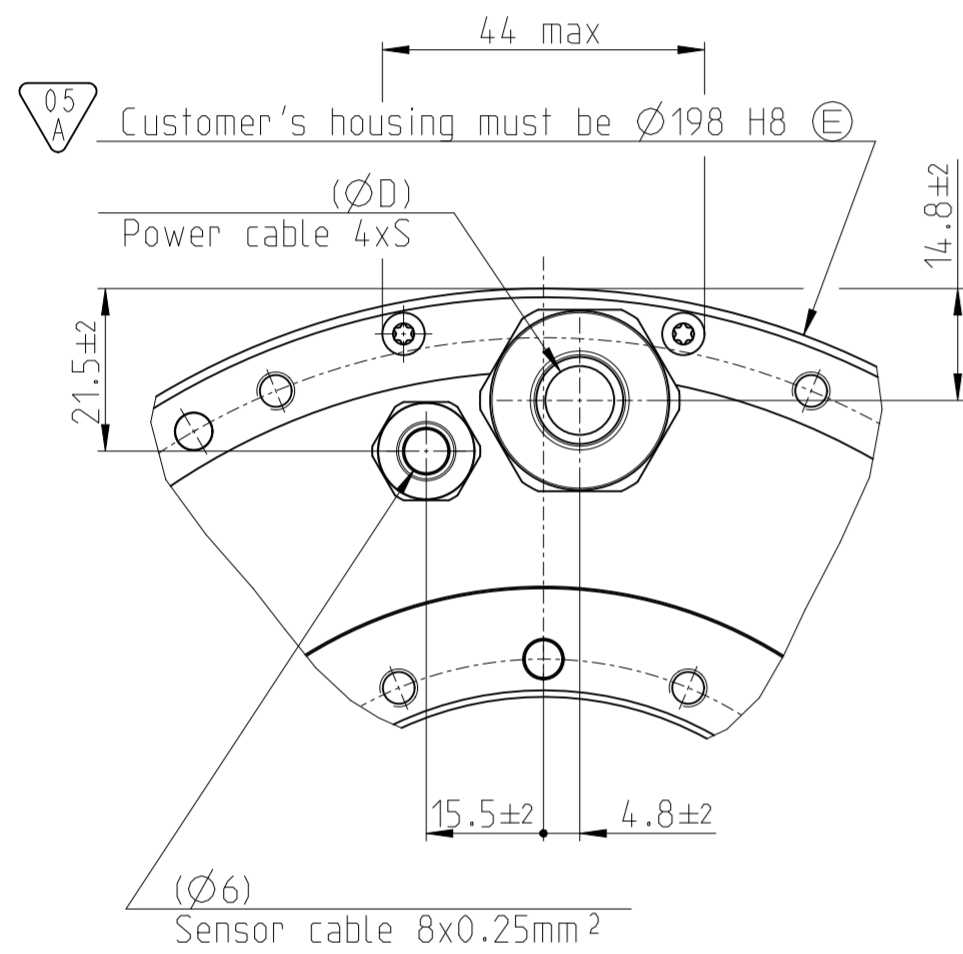
Text:		ID number:
Change No. C075986-31		Released: 09.12.2021
TMB+0175-###-####-O#-AA0		Tolerances as per ISO 8015 : 2011
TMB+0175-###-####-O#-AA0		Tolerances selon ISO 8015 : 2011
Mating Dimensions / Cotes d'encastrement		Dimensions without tolerance ± 0.2
The reproduction, distribution and utilization of this document as well as the communication of its contents to others without express authorization is prohibited. Offenders will be held liable for the payment of damages. All rights reserved in the event of the grant of a patent, utility model or design. (ISO 18015)		Version Revision Sheet Page
ETEL S.A. 2112 Möllers SWITZERLAND		1175443-05-A-01 1 of 2



Wrench size : 13mm Wrench size : SWmm

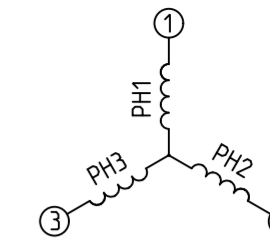


Wrench size : 13mm

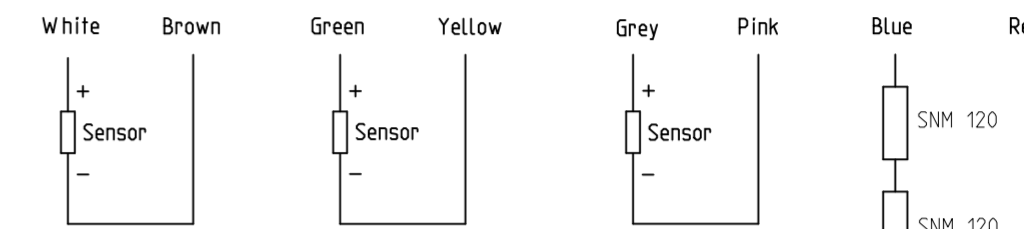


Power cable connection

Phase 1 = wire 1
Phase 2 = wire 2
Phase 3 = wire 3
PE = yellow/green wire



Sensor cable connection: "P" or "T" configuration



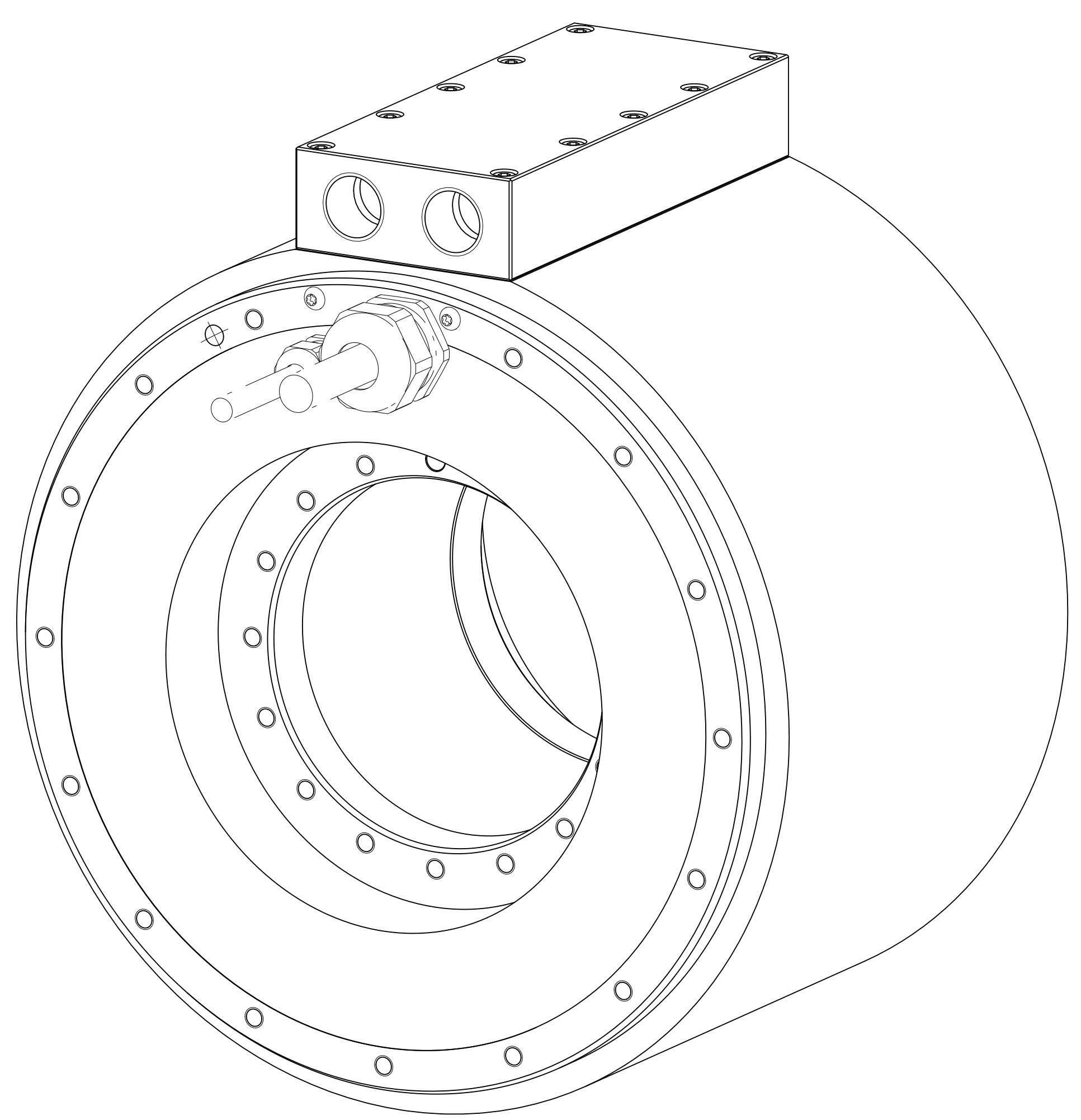
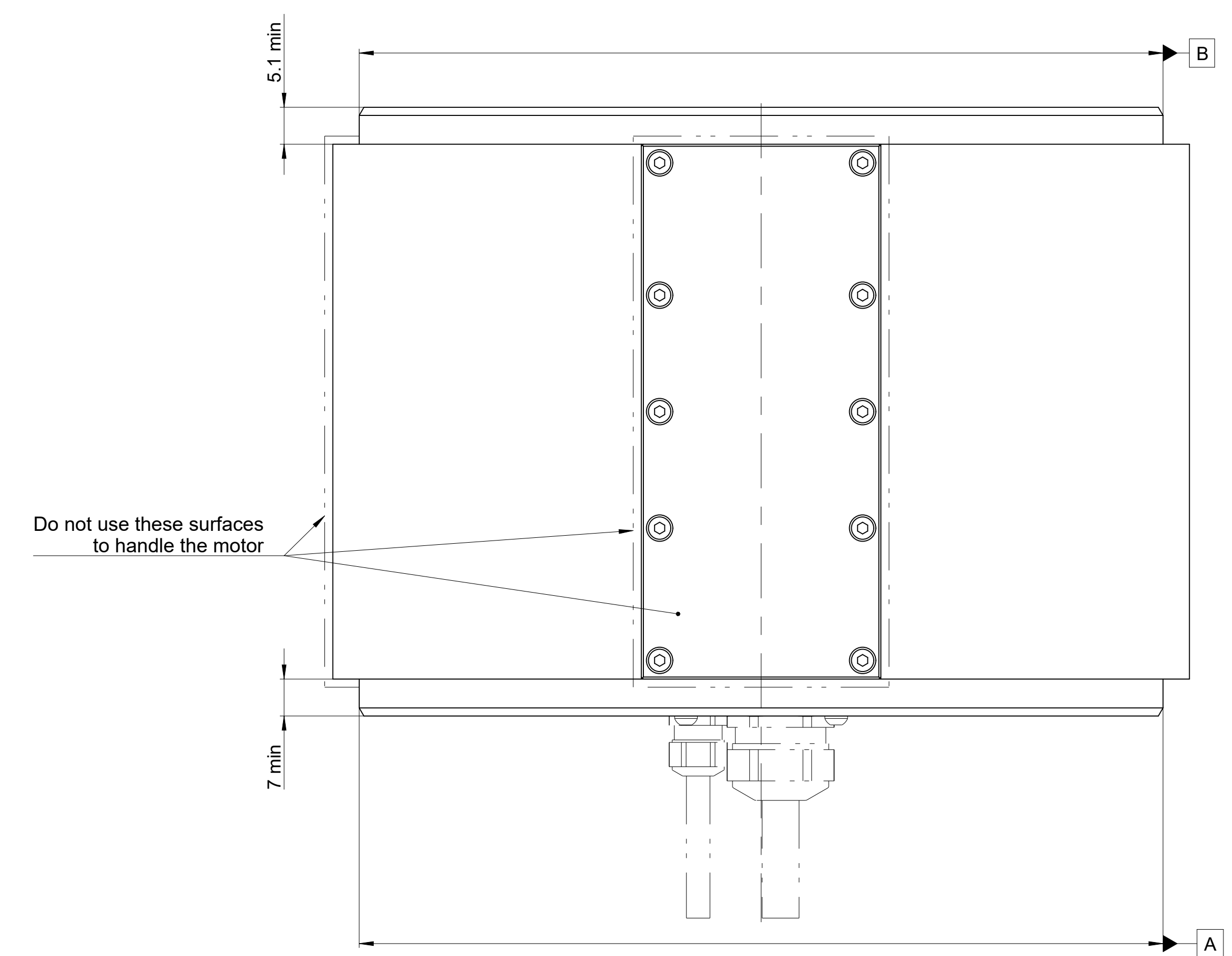
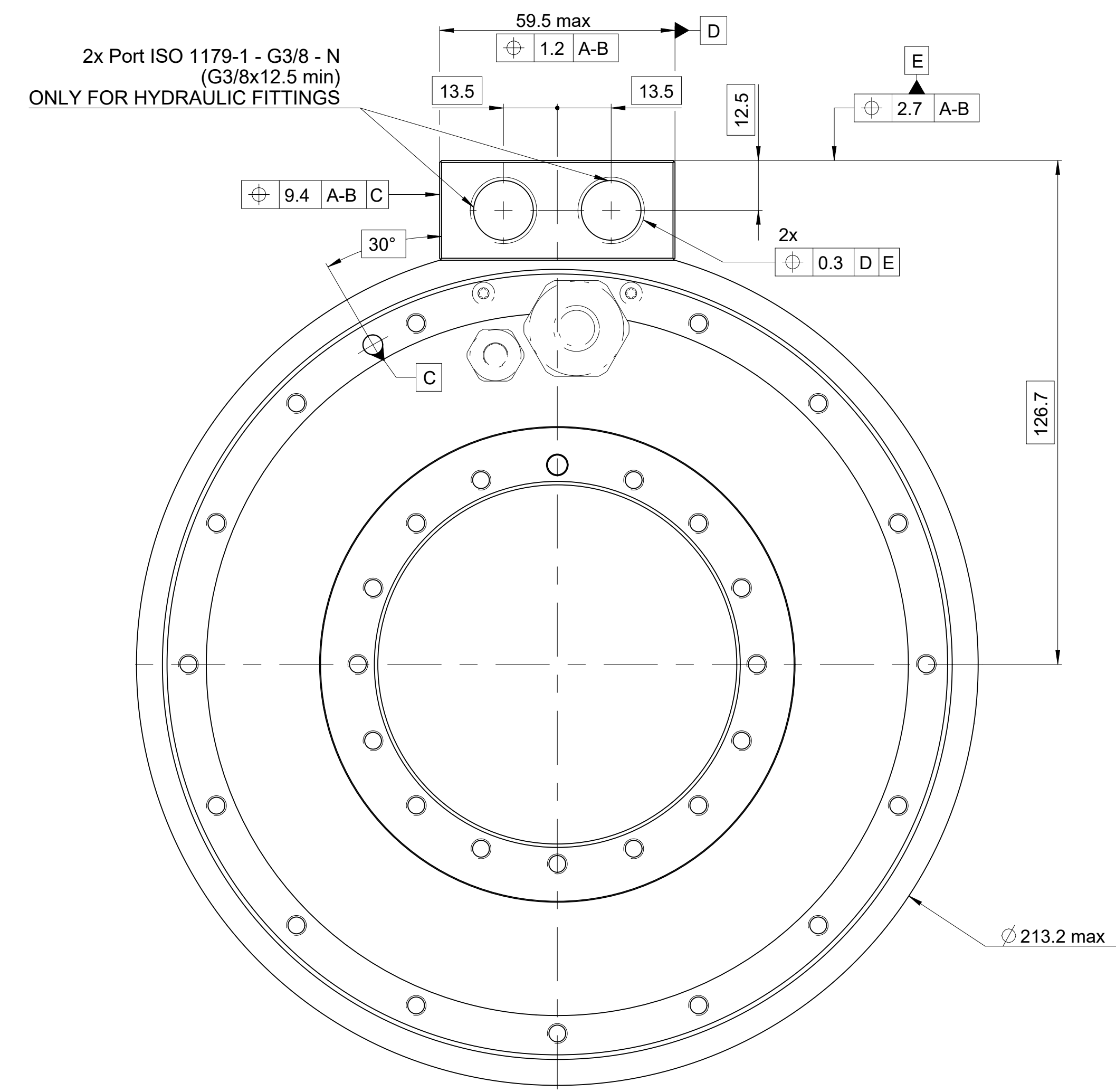
Configuration type	Sensor
"P"	KTY 84
"T"	PT 1000

Motor family	0140	0210	0290
	0175		0360
Connection	0291	0450	0530
		0760	0990
		1221	
White - Brown	Phase 1	Phase 3	Phase 2
Green - Yellow	Phase 3	Phase 2	Phase 1
Grey - Pink	Phase 2	Phase 1	Phase 3

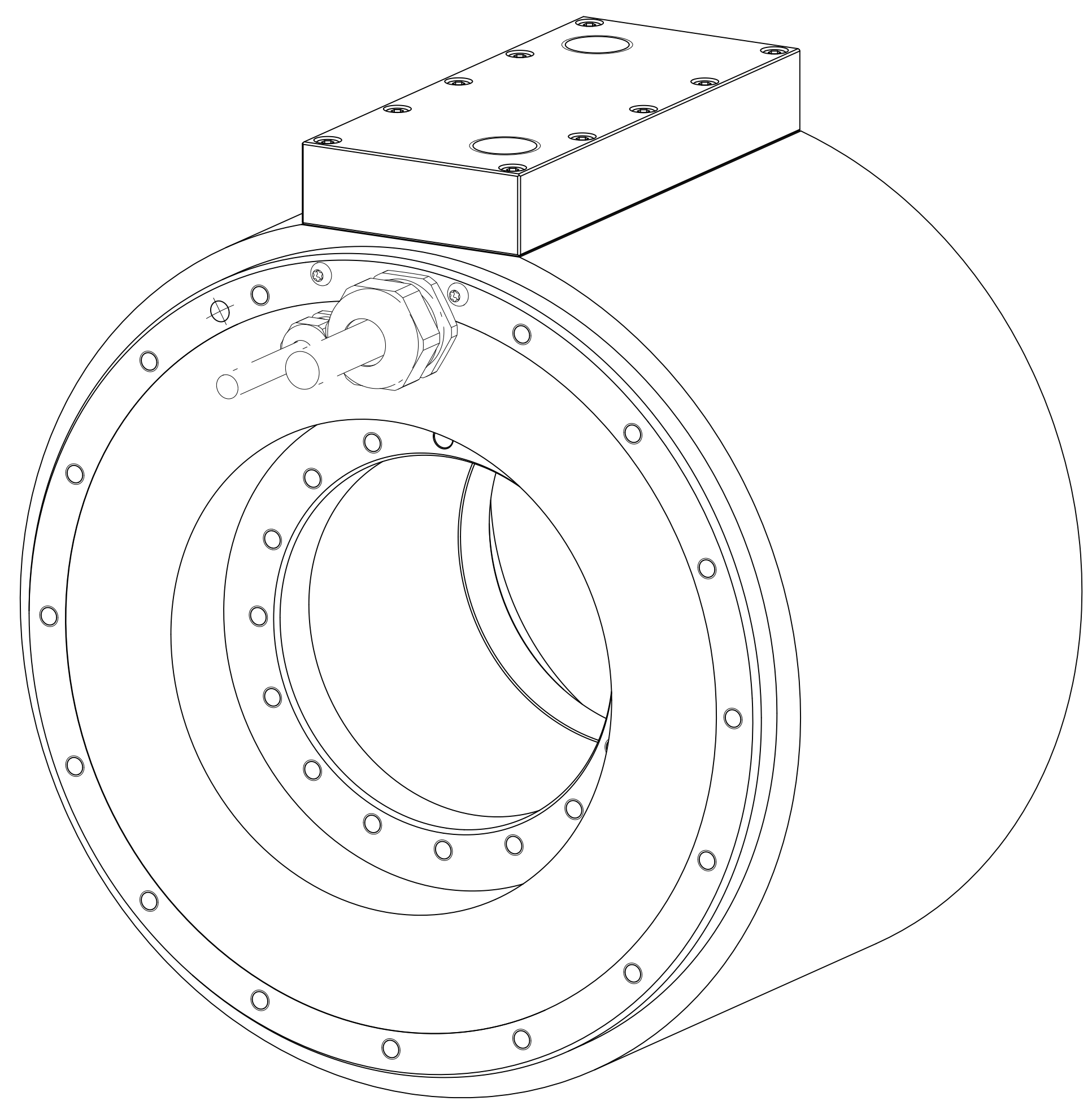
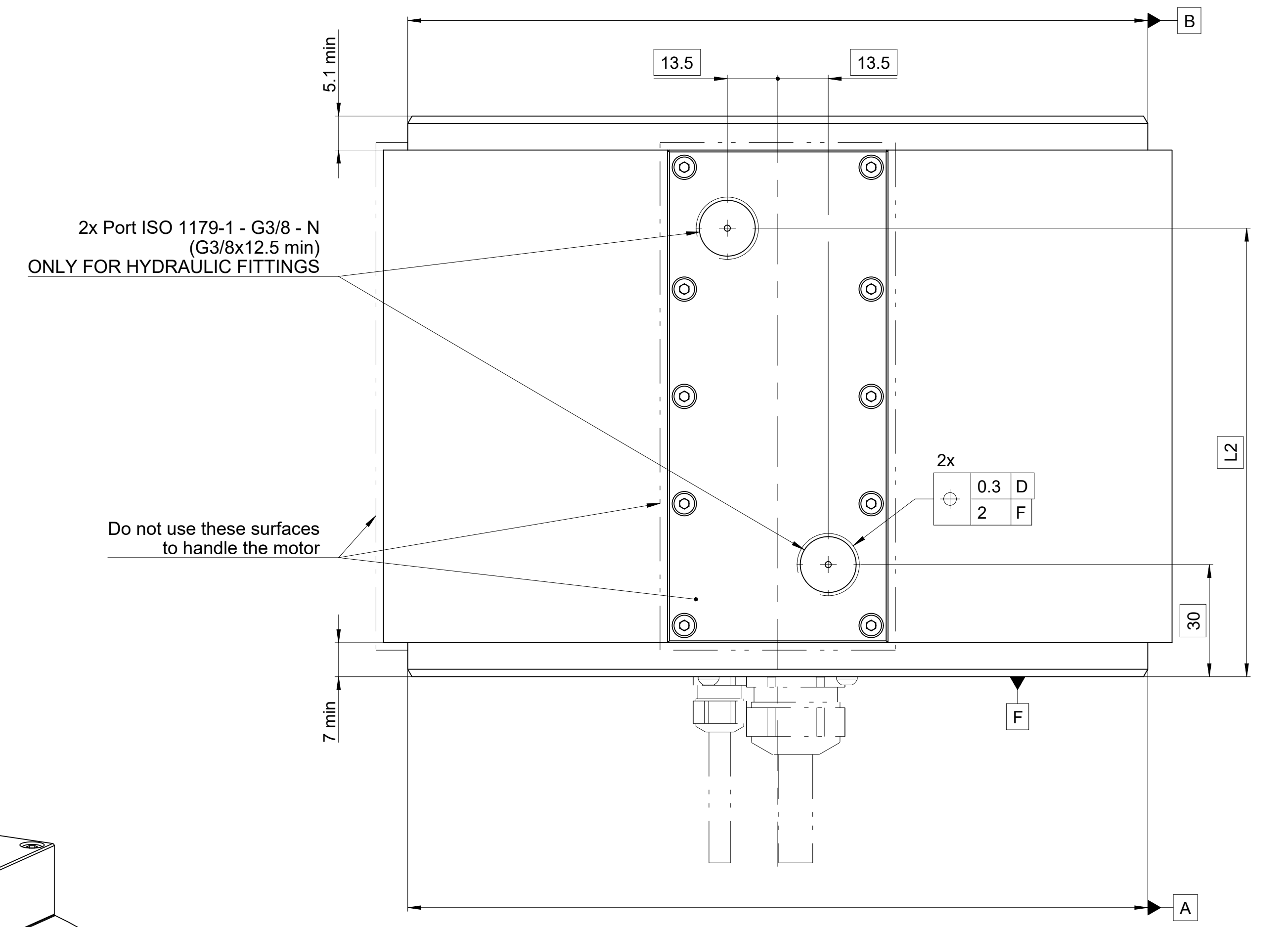
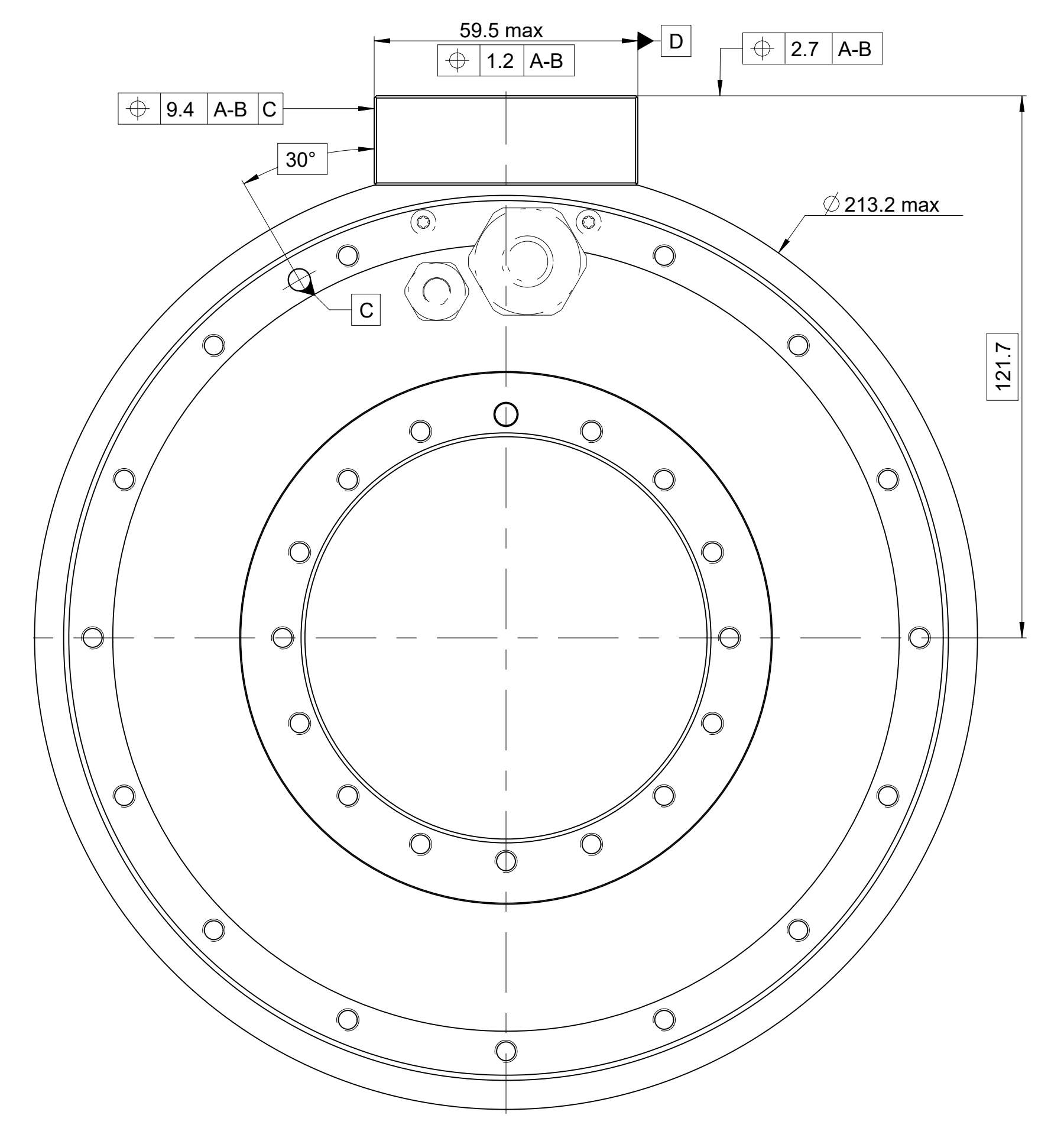
Designation	Output type	S=Wire section [mm ²]	L5 [mm]	H1 [mm]	D [mm]	Sw [mm]	Bending radius [mm]
TMB+0175-###-RA#S#	Type 1	1.5	-	26	9.1	24	Static bending radius for: - sensor cable = 30 - power cable = 4x ØD
TMB+0175-###-RA#E#	Type 2		51.5	34.5			
TMB+0175-###-RB#S#	Type 1		-	26			
TMB+0175-###-RB#E#	Type 2		51.5	34.5			
TMB+0175-###-TA#S#	Type 1		-	26			
TMB+0175-###-TA#E#	Type 2		51.5	34.5			
TMB+0175-030 to 070-TB#S#	Type 1	2.5	-	26	10.6		
TMB+0175-030 to 070-TB#E#	Type 2		51.5	34.5			
TMB+0175-100 to 200-TB#S#	Type 1	4	-	26	11.9		
TMB+0175-100 to 200-TB#E#	Type 2		51.5	34.5			
TMB+0175-###-VB#S#	Type 1	4	-	28			
TMB+0175-###-VB#E#	Type 2		53.5	34.5			

Text:		ID number:	
Original drawing		Change No. C075986-31	
Scale		Released: 09.12.2021	
Format		Tolerances as per ISO 8015 : 2011	
Dimensions in mm		Tolerances selon ISO 8015 : 2011	
1:1		Dimensions without tolerance ± 0,2	
A2		Dimensions sans tolérances	
The reproduction, distribution and utilization of this document as well as the communication of its contents to others without express authorization is prohibited. Offenders will be held liable for the payment of damages. All rights reserved in the event of the grant of a patent, utility model or design. (ISO 16016)			
ETEL		ETEL S.A. 2112 Môtiers SWITZERLAND	
Version		Revision	
Sheet		Page	
1175443-05 - A-01		2 of 2	
Document number			

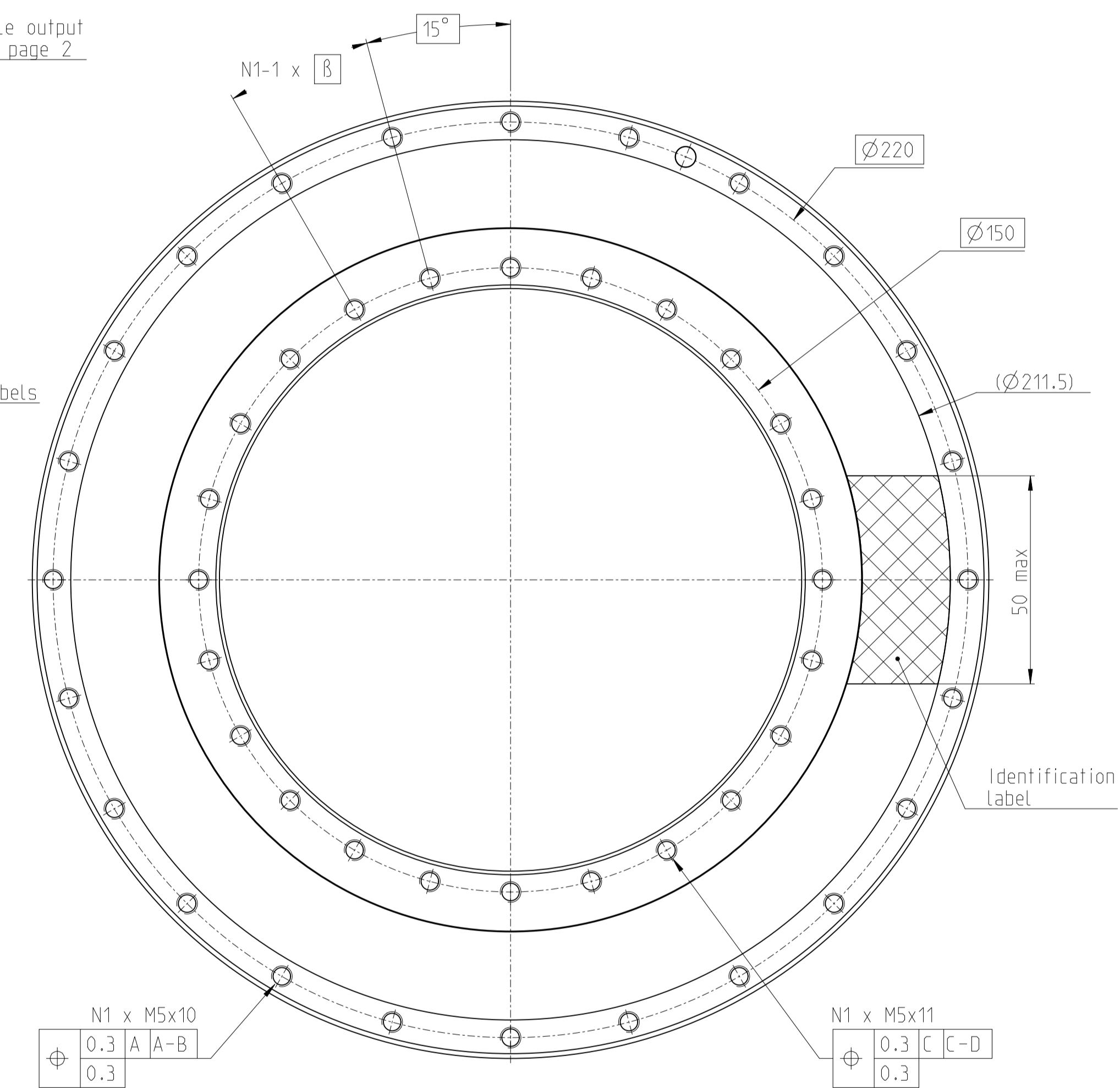
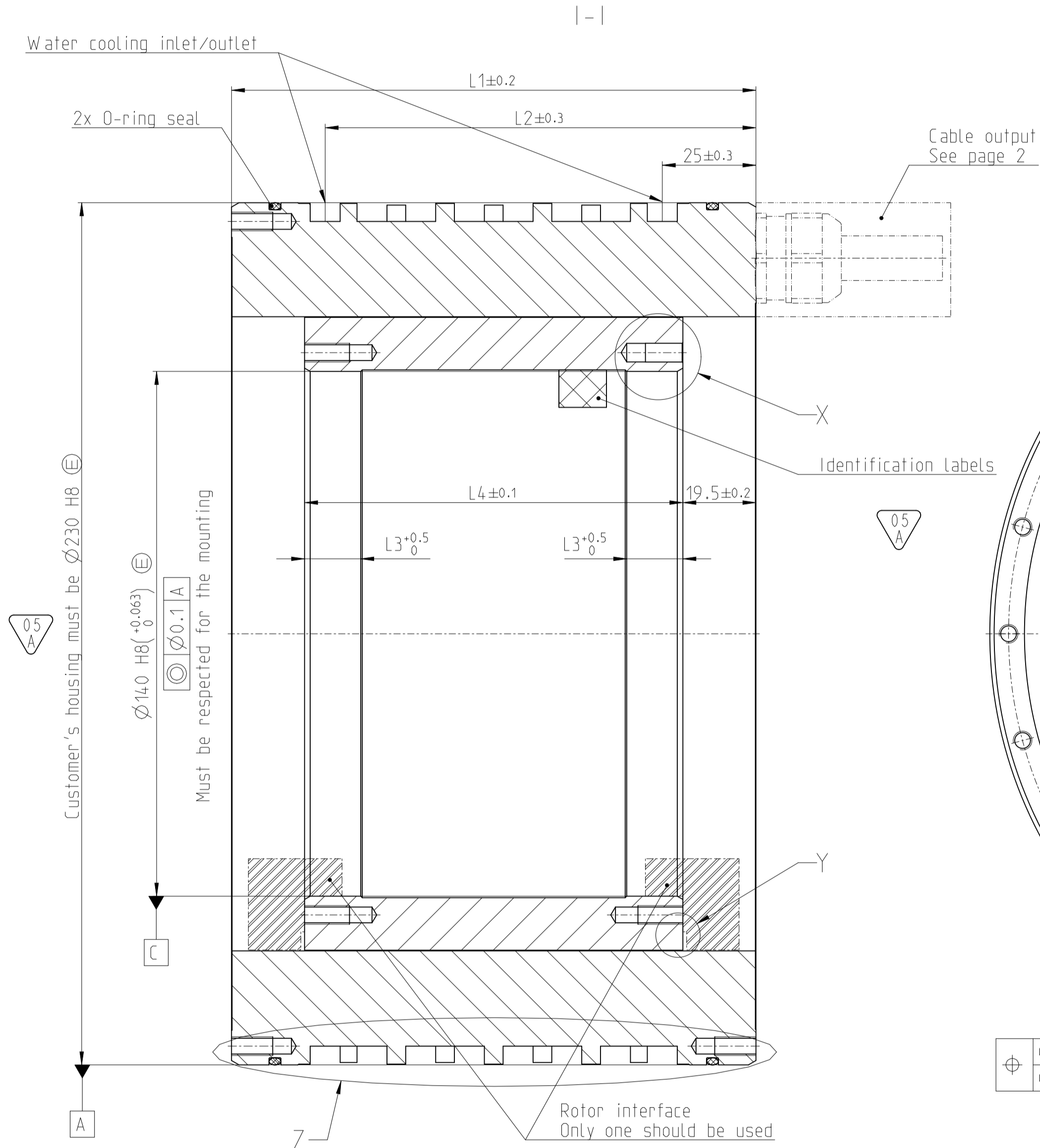
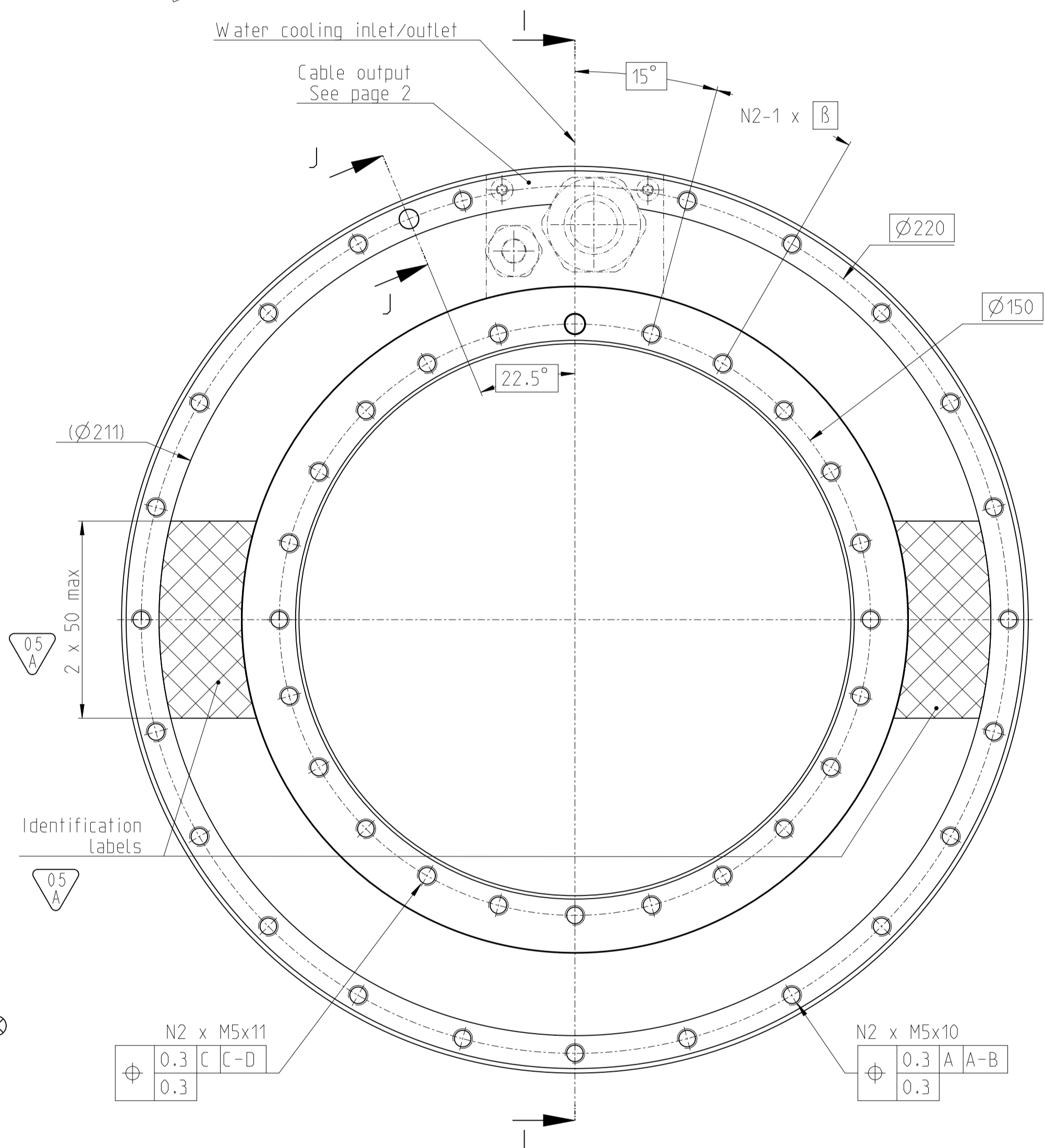
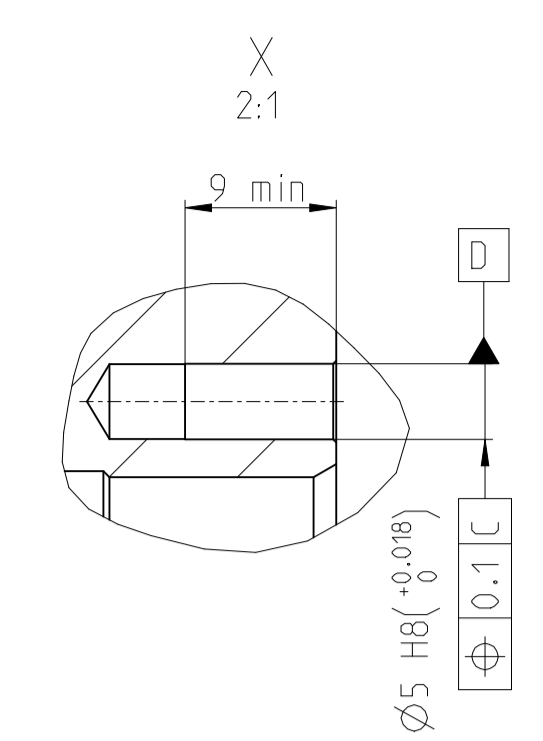
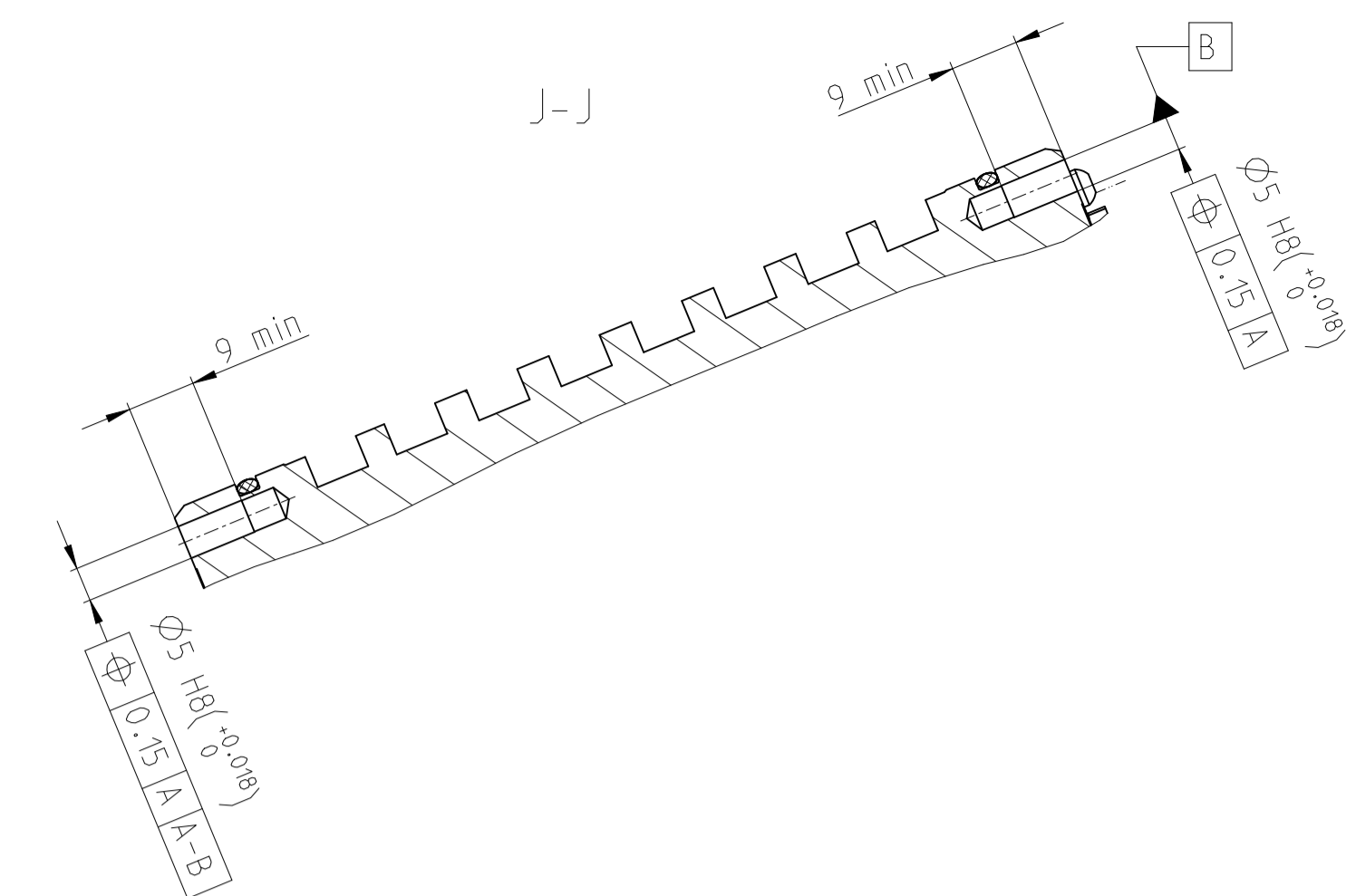
TMB+0175-###-#####-A#-AA0
 (Annex to interface drawing 1175443: please check for motor and cable output information)



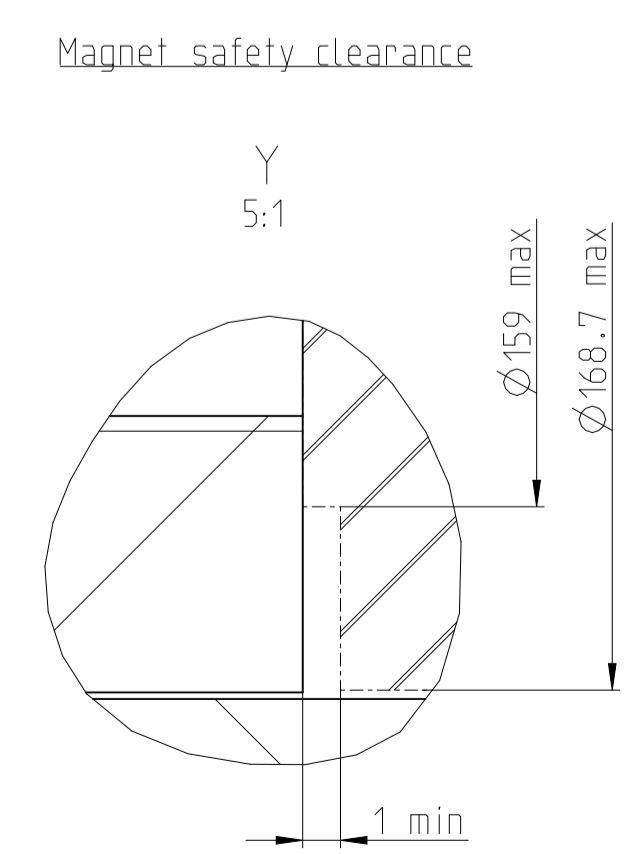
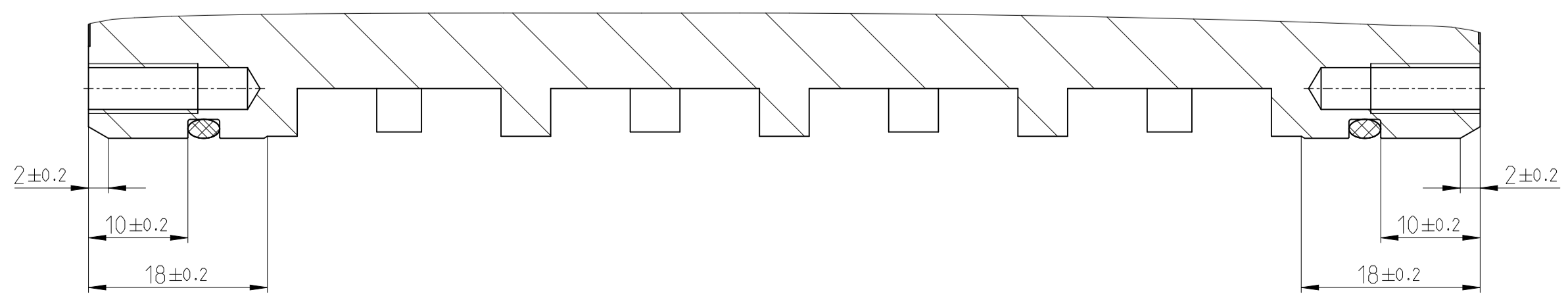
TMB+0175-###-#####-R#-AA0
 (Annex to interface drawing 1175443: please check for motor and cable output information)



Designation	L2
TMB+0175-030	50
TMB+0175-050	70
TMB+0175-070	90
TMB+0175-100	120
TMB+0175-150	170
TMB+0175-200	220

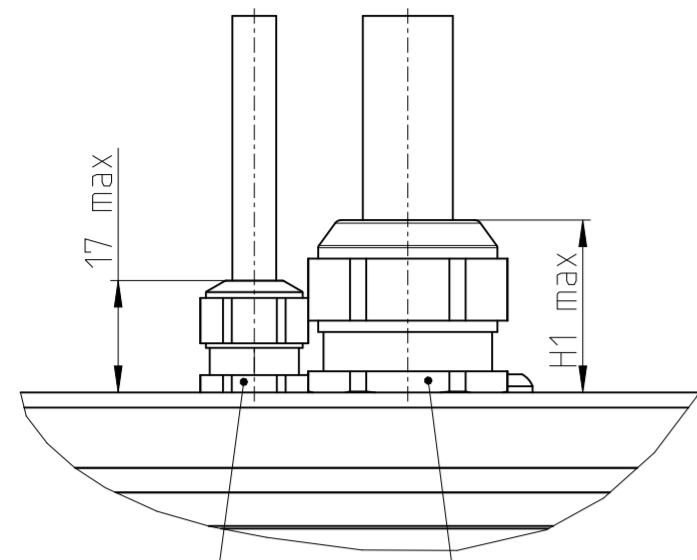


Designation	L1	L2	L3	L4	N1	N2	β
TMB+0210-030	70	45	10	31	12	12	30°
TMB+0210-050	90	65		51			
TMB+0210-070	110	85	15	71	24	23	15°
TMB+0210-100	140	115		101			
TMB+0210-150	190	165		151			
TMB+0210-200	240	215		202			

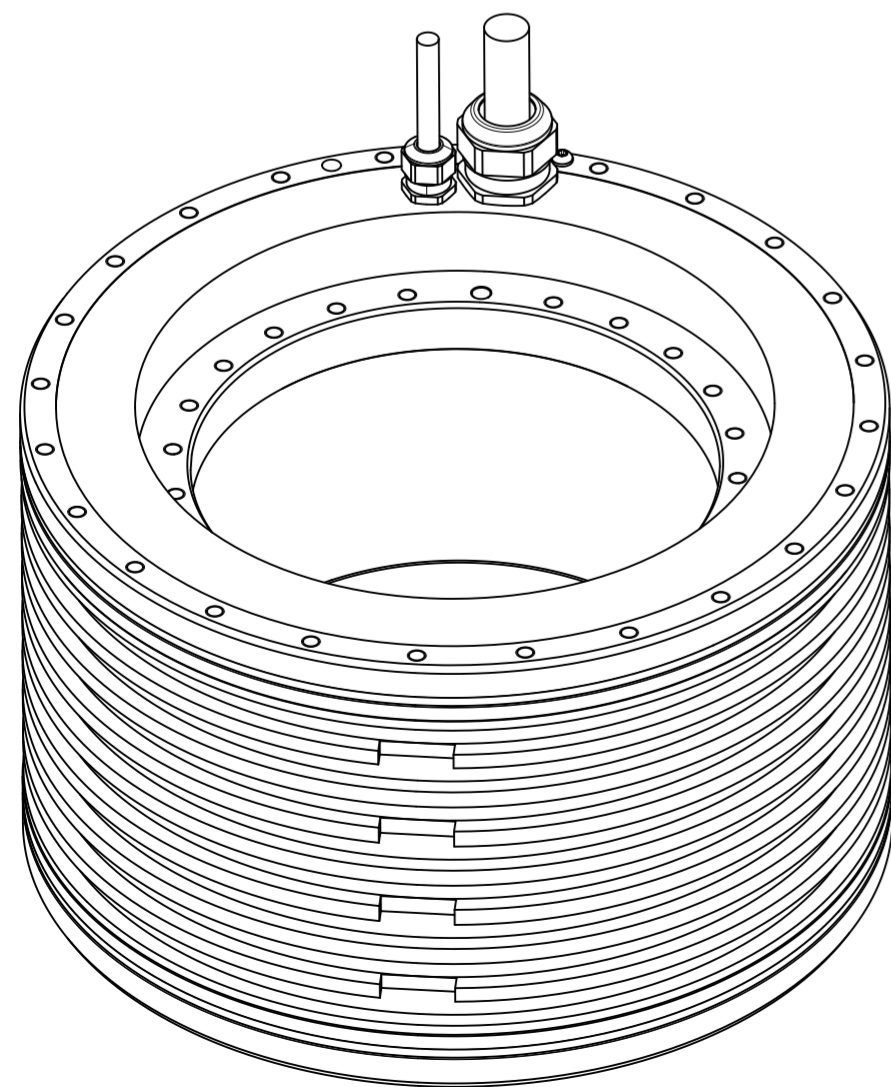
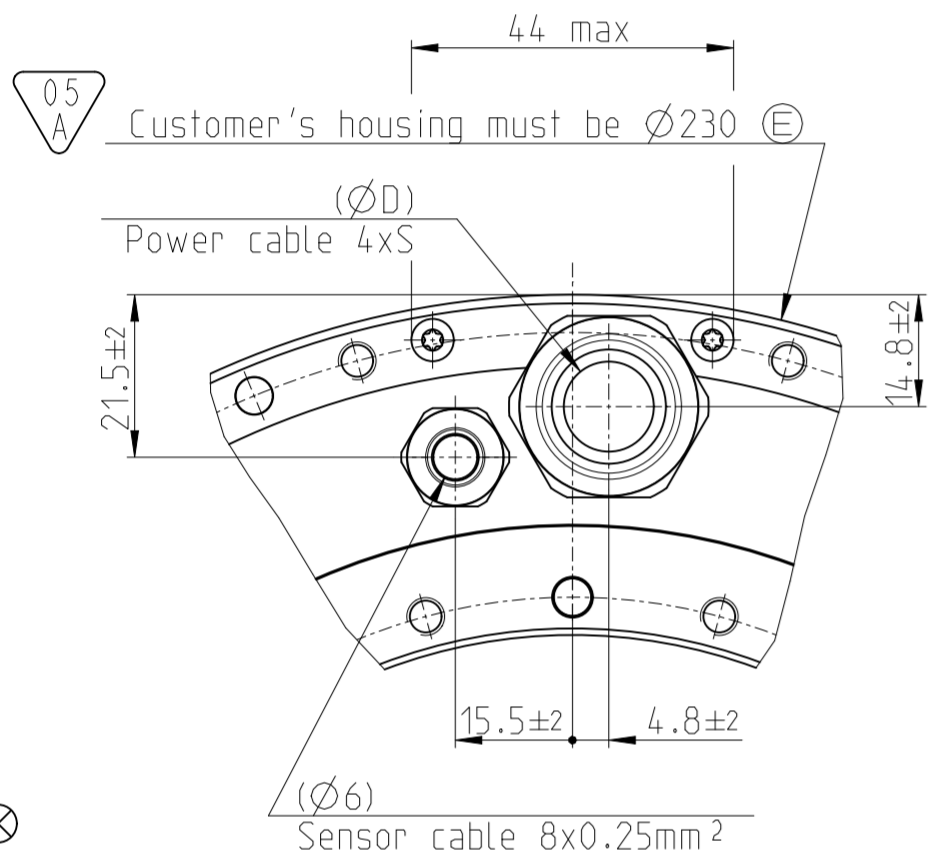


Text		ID number:	
Original drawing		Change No.:	C075986-32
Scale		Released:	09.12.2021
Format		Tolerances as per ISO 8015 : 2011	
Dimensions in mm		Tolerances selon ISO 8015 : 2011	
1:1	A1	Dimensions without tolerance ± 0.2	
		Dimensions sans tolérances ± 0.2	
The reproduction, distribution and utilization of this document as well as the communication of its contents to others without express authorization is prohibited. Offenders will be held liable for the payment of damages. All rights reserved in the event of the grant of a patent, utility model or design. (ISO 18015)			
ETEL		ETEL S.A. 2112 Möllers SWITZERLAND	
		Version / Revision / Sheet / Page	
		1175577-05-A-01	1 of 2
		Document number	

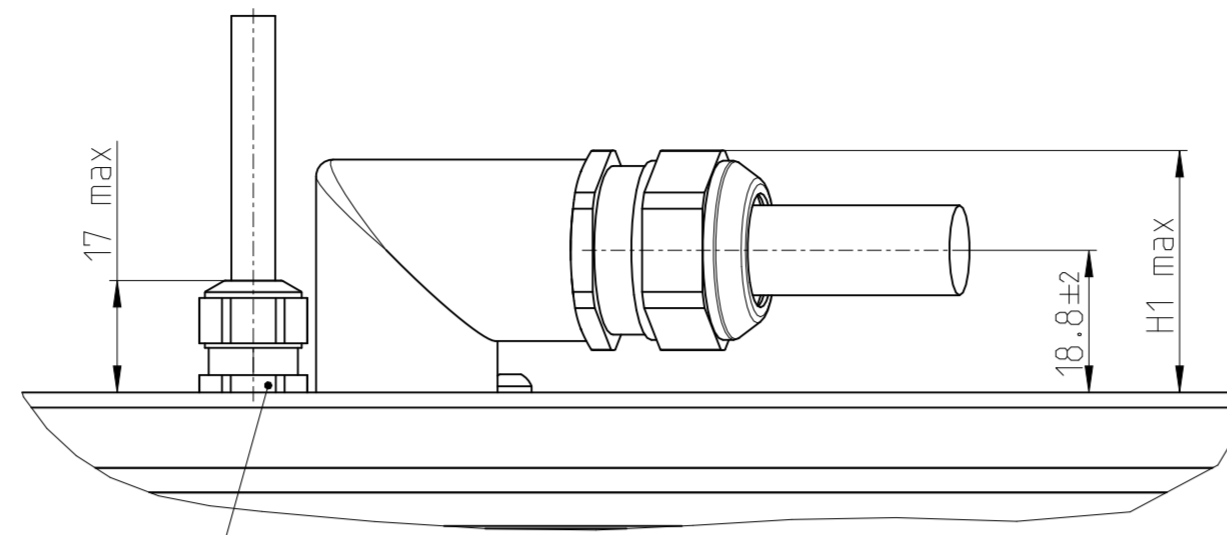
Type 1



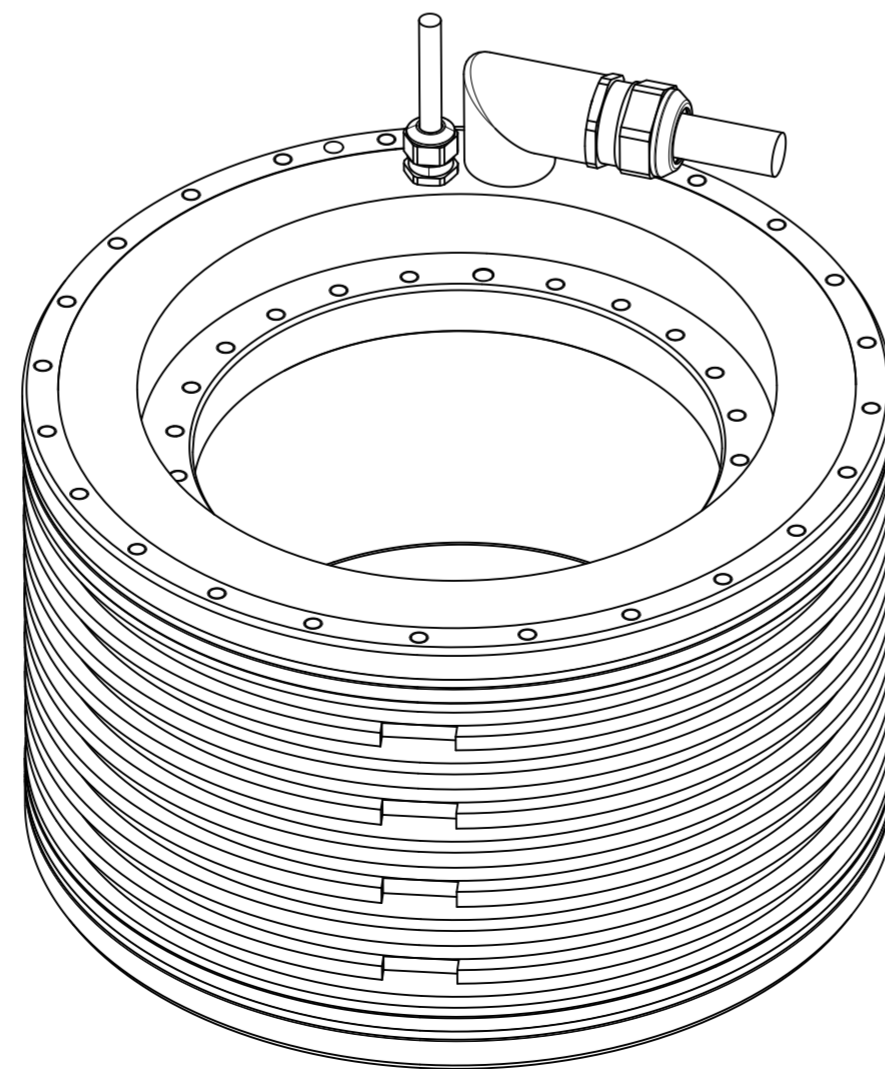
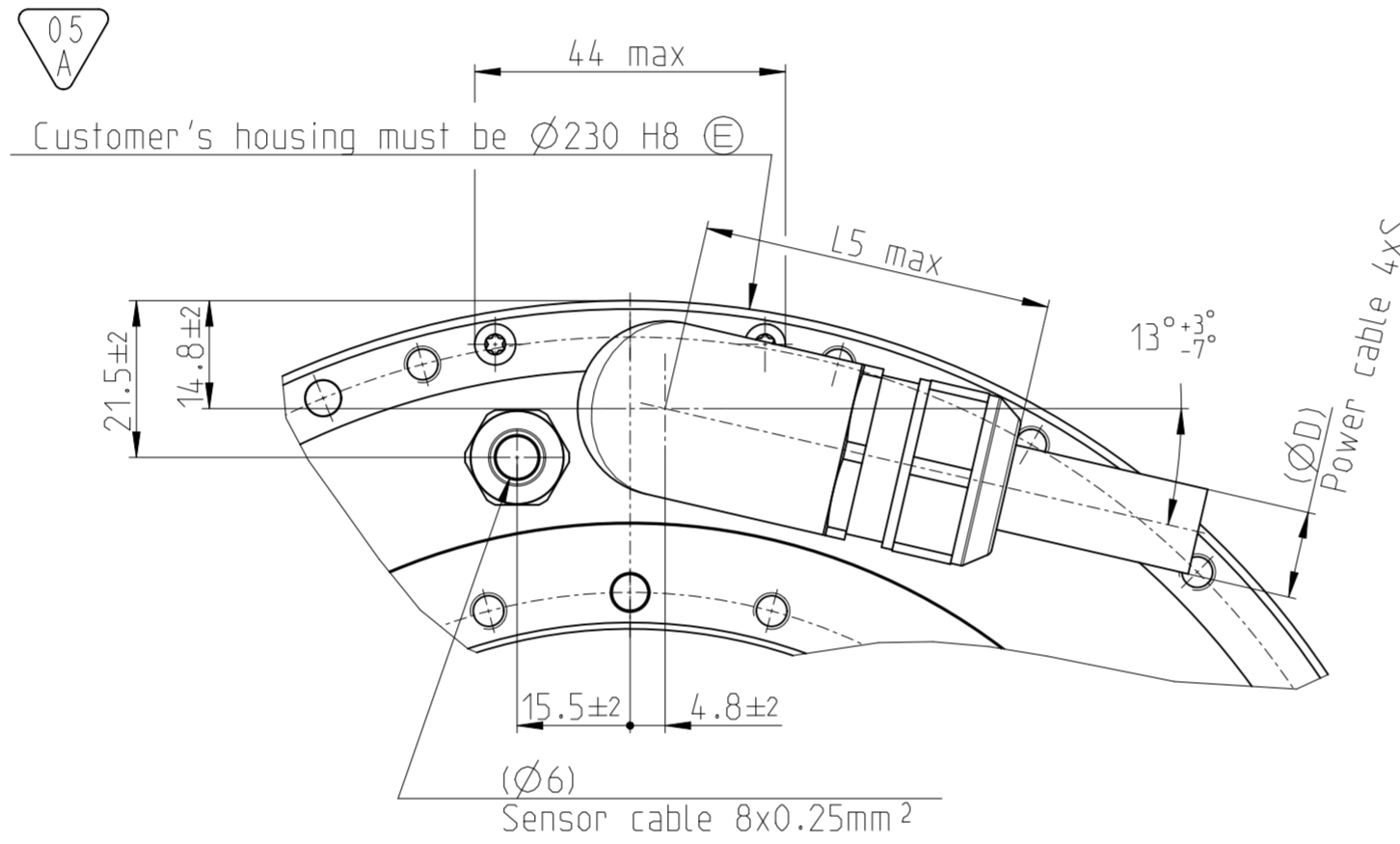
Wrench size: 13mm Wrench size: SWmm



Type 2

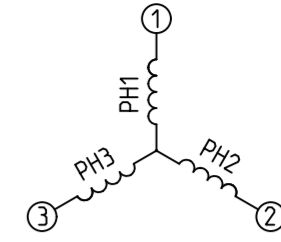


Wrench size: 13mm

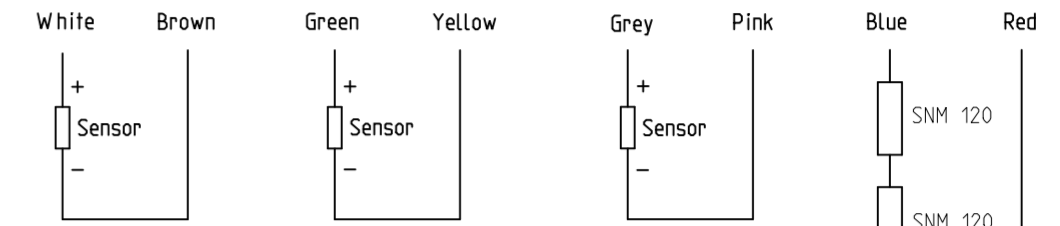


Power cable connection

Phase 1 = wire 1
Phase 2 = wire 2
Phase 3 = wire 3
PE = yellow/green wire



Sensor cable connection: "P" or "T" configuration



Configuration type	Sensor
"P"	KTY 84
"T"	PT 1000

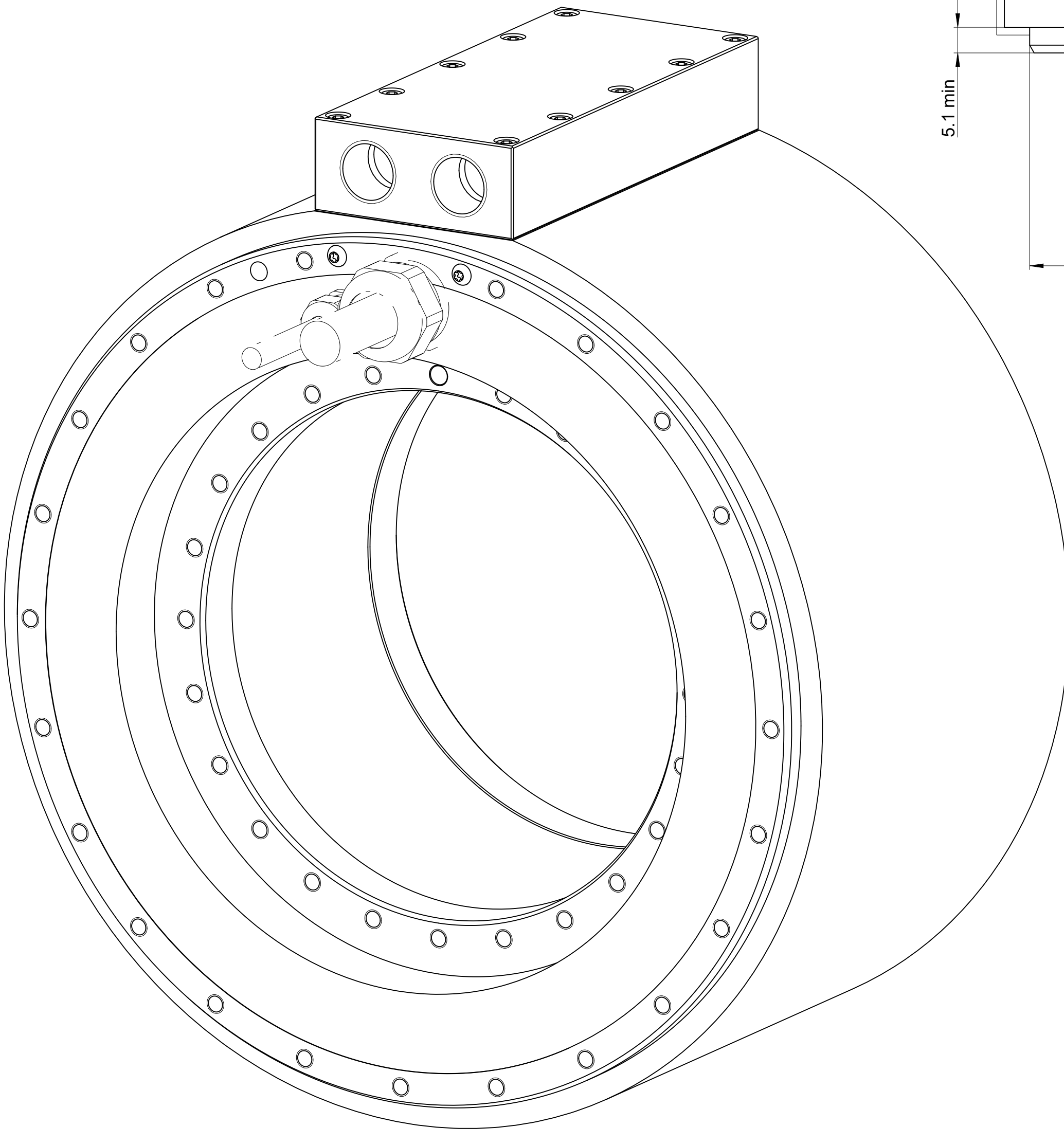
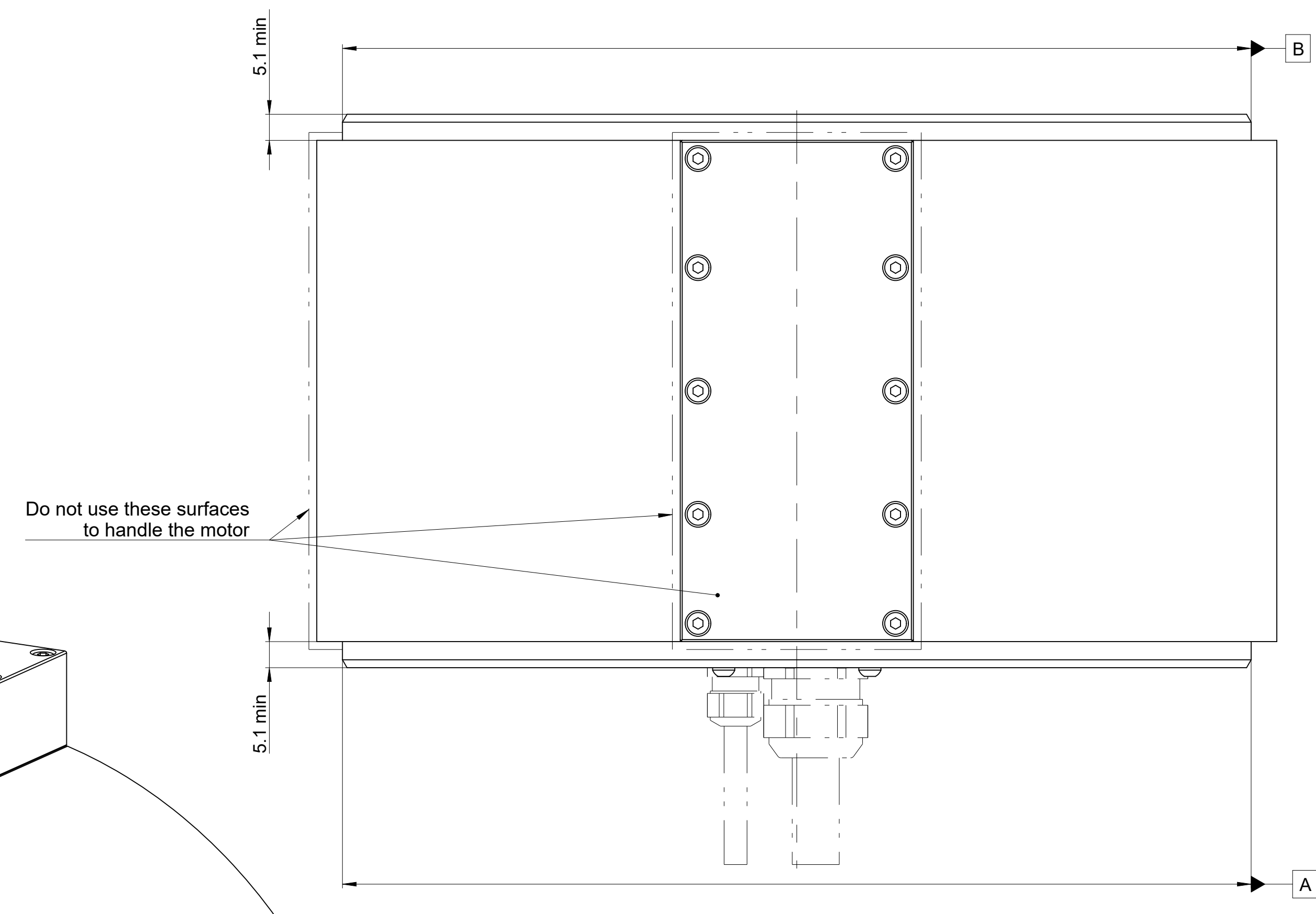
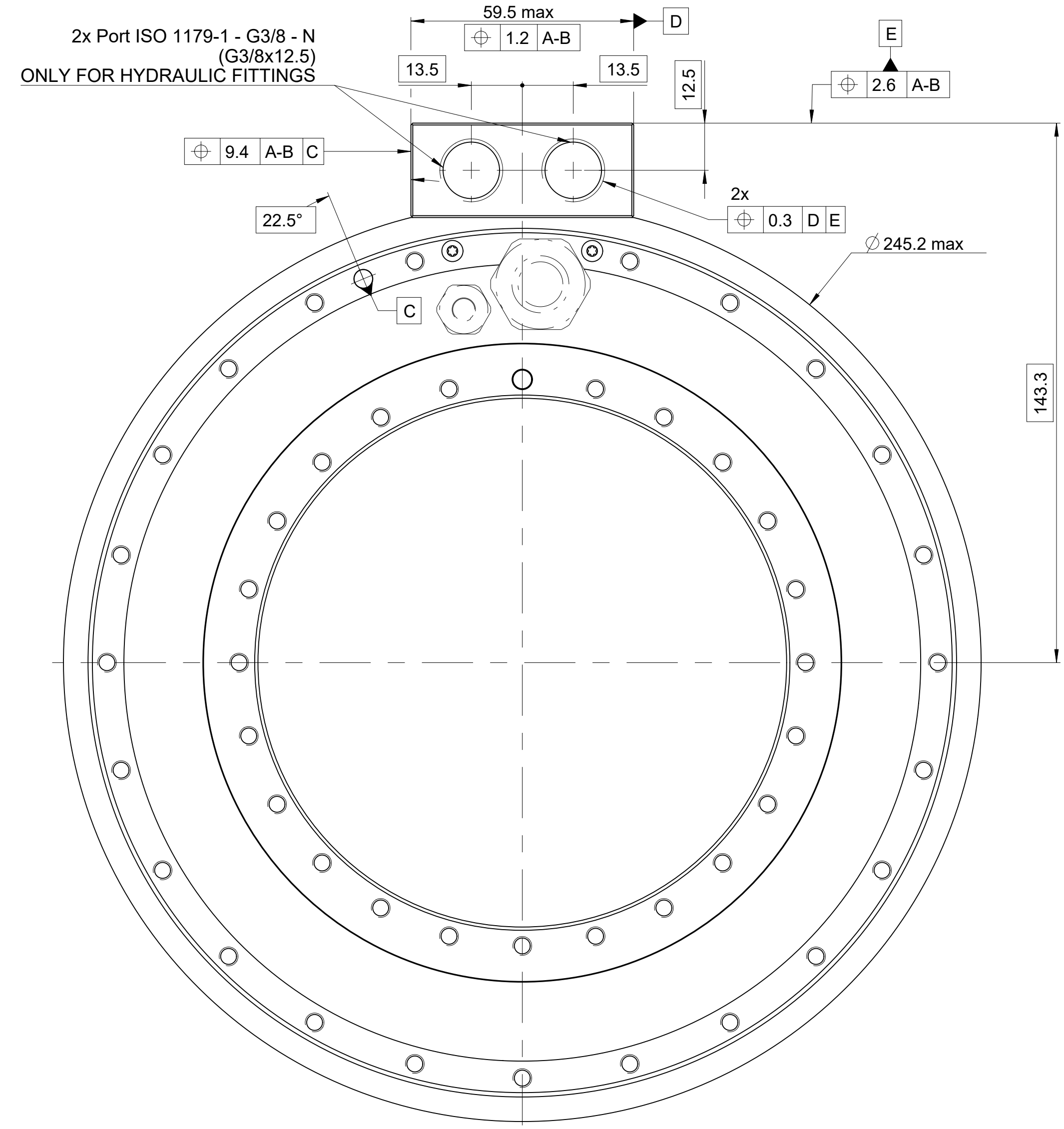
Motor family	0140	0210	0290
	0175		0360
Connection	0291	0450	0530
		0760	0990
		1221	
White - Brown	Phase 1	Phase 3	Phase 2
Green - Yellow	Phase 3	Phase 2	Phase 1
Grey - Pink	Phase 2	Phase 1	Phase 3

Designation	Output type	S=W ire section	L5	H1	D	SW	Bending radius
[-]	[-]	[mm ²]	[mm]	[mm]	[mm]	[mm]	[mm]
TMB+0210-###-RA#S#	Type 1	1.5	-	26	9.1	24	Static bending radius for: - sensor cable = 30 - power cable = 4x ØD
TMB+0210-###-RA#E#	Type 2		51.5	34.5			
TMB+0210-###-TA#S#	Type 1		-	26			
TMB+0210-###-TA#E#	Type 2		51.5	34.5			
TMB+0210-###-UA#S#	Type 1	2.5	-	26	10.6		
TMB+0210-###-UA#E#	Type 2		51.5	34.5			
TMB+0210-###-TB#S#	Type 1	4	-	28	11.9		
TMB+0210-###-TB#E#	Type 2		53.5	34.5			
TMB+0210-###-UB#S#	Type 1						
TMB+0210-###-UB#E#	Type 2						

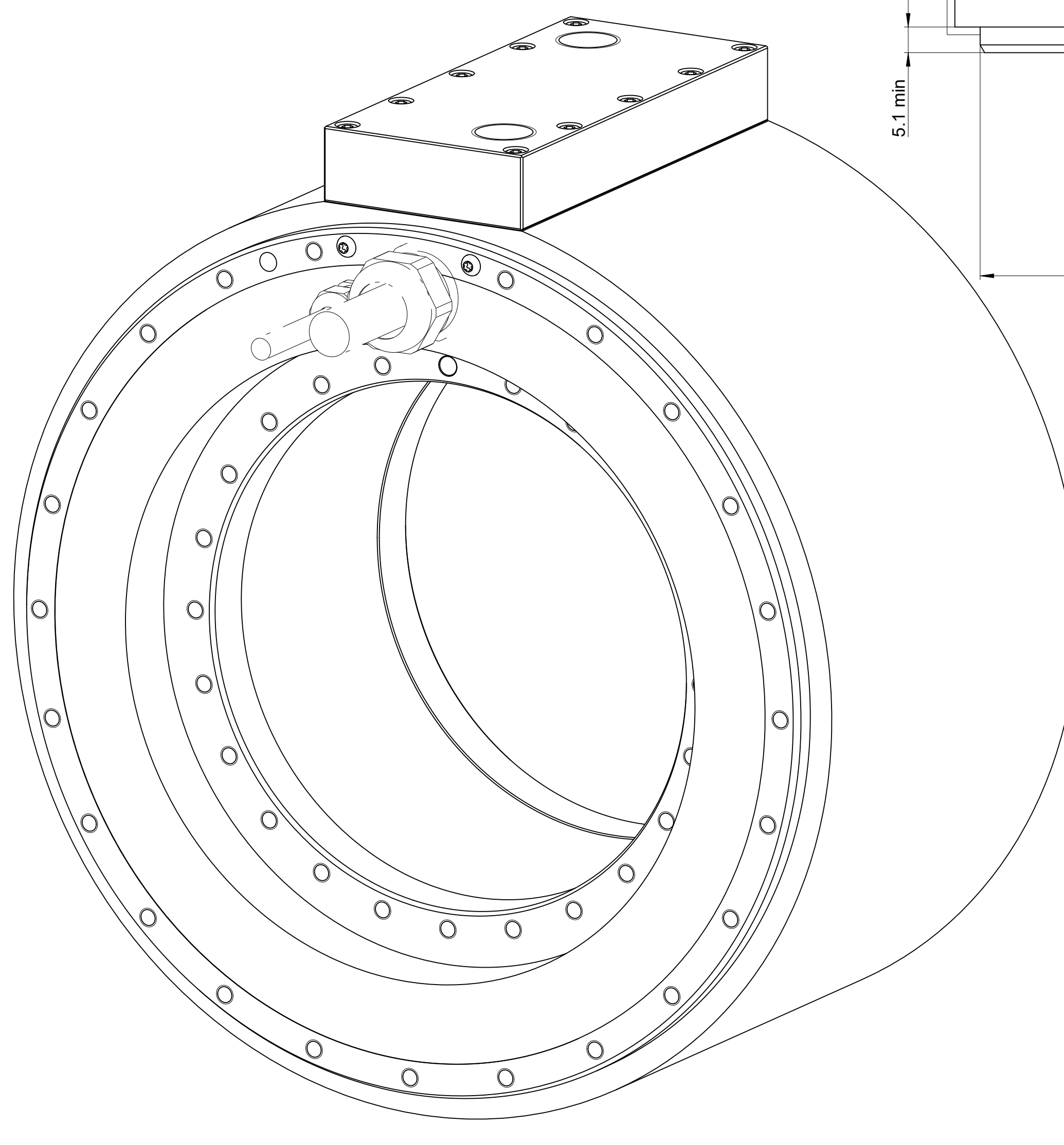
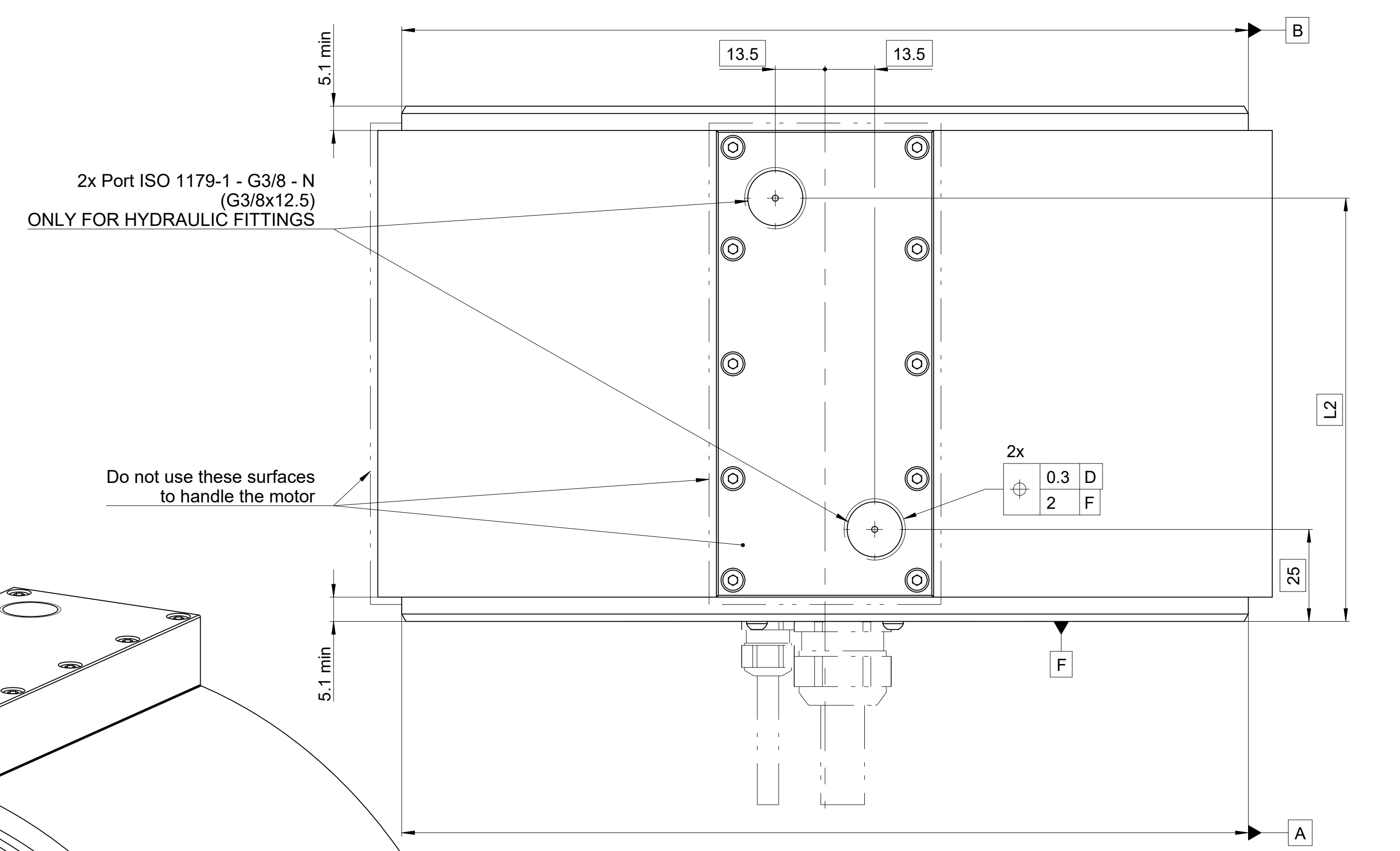
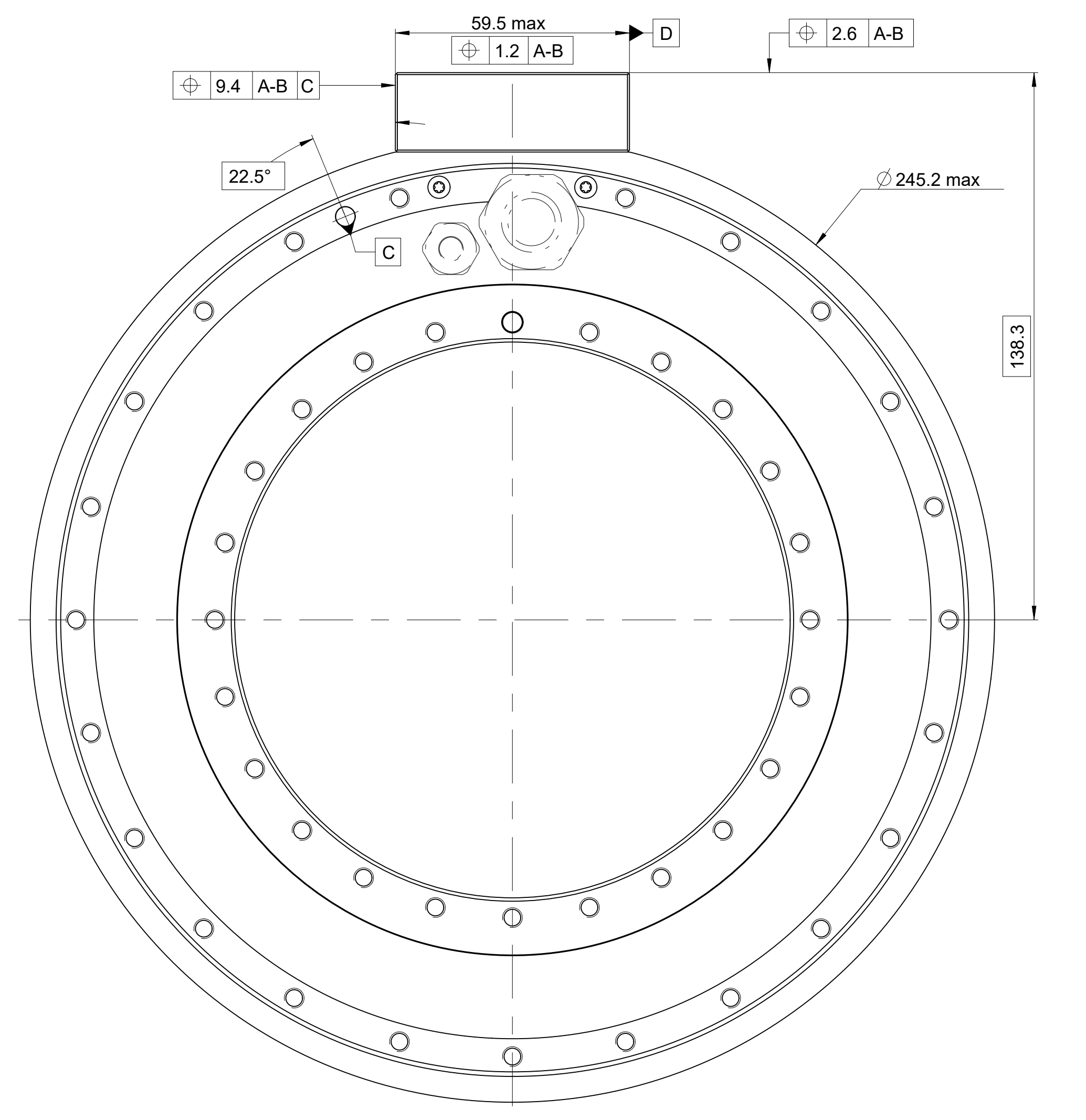
Text:		ID number:	
Change No. C075986-32		Released: 09.12.2021	
		TMB+0210-###-#####-O#-AA0 TMB+0210-###-#####-O#-AA0 Mating Dimensions / Cotes d'encombrement	
Dimensions in mm	1:1 A2	Tolerances as per ISO 8015 : 2011 Tolérances selon ISO 8015 : 2011	
The reproduction, distribution and utilization of this document as well as the communication of its contents to others without express authorization is prohibited. Offenders will be held liable for the payment of damages. All rights reserved in the event of the grant of a patent, utility model or design. (ISO 16016)		Version Revision Sheet Page 1175577-05-A-01 2 2 Document number	



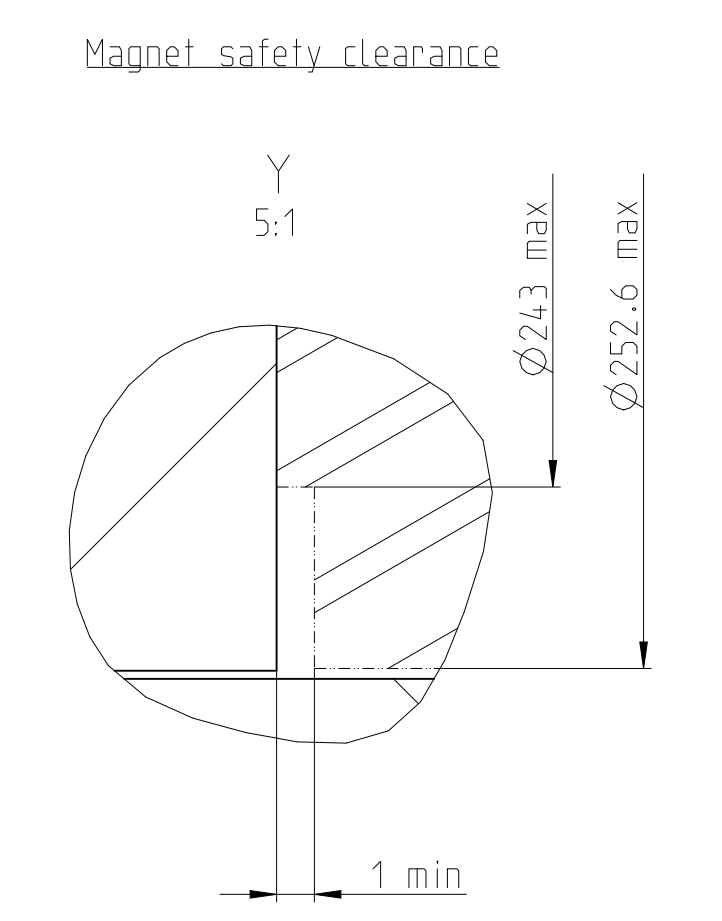
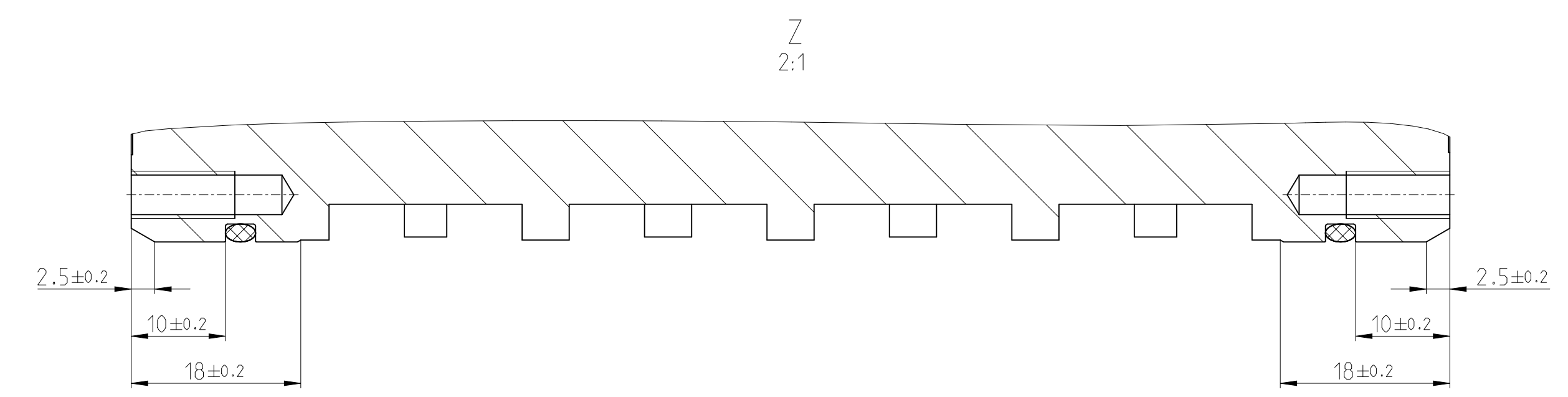
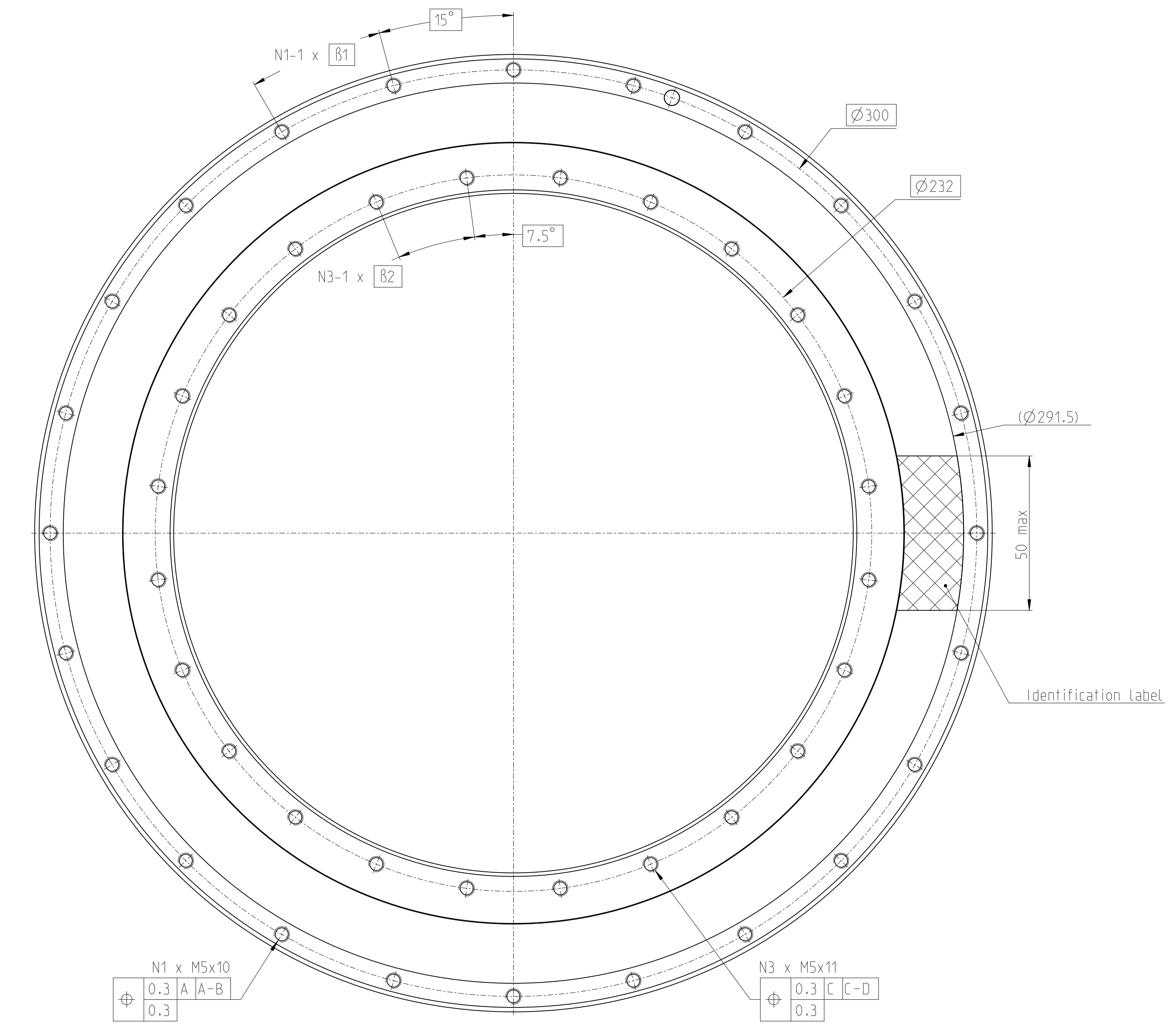
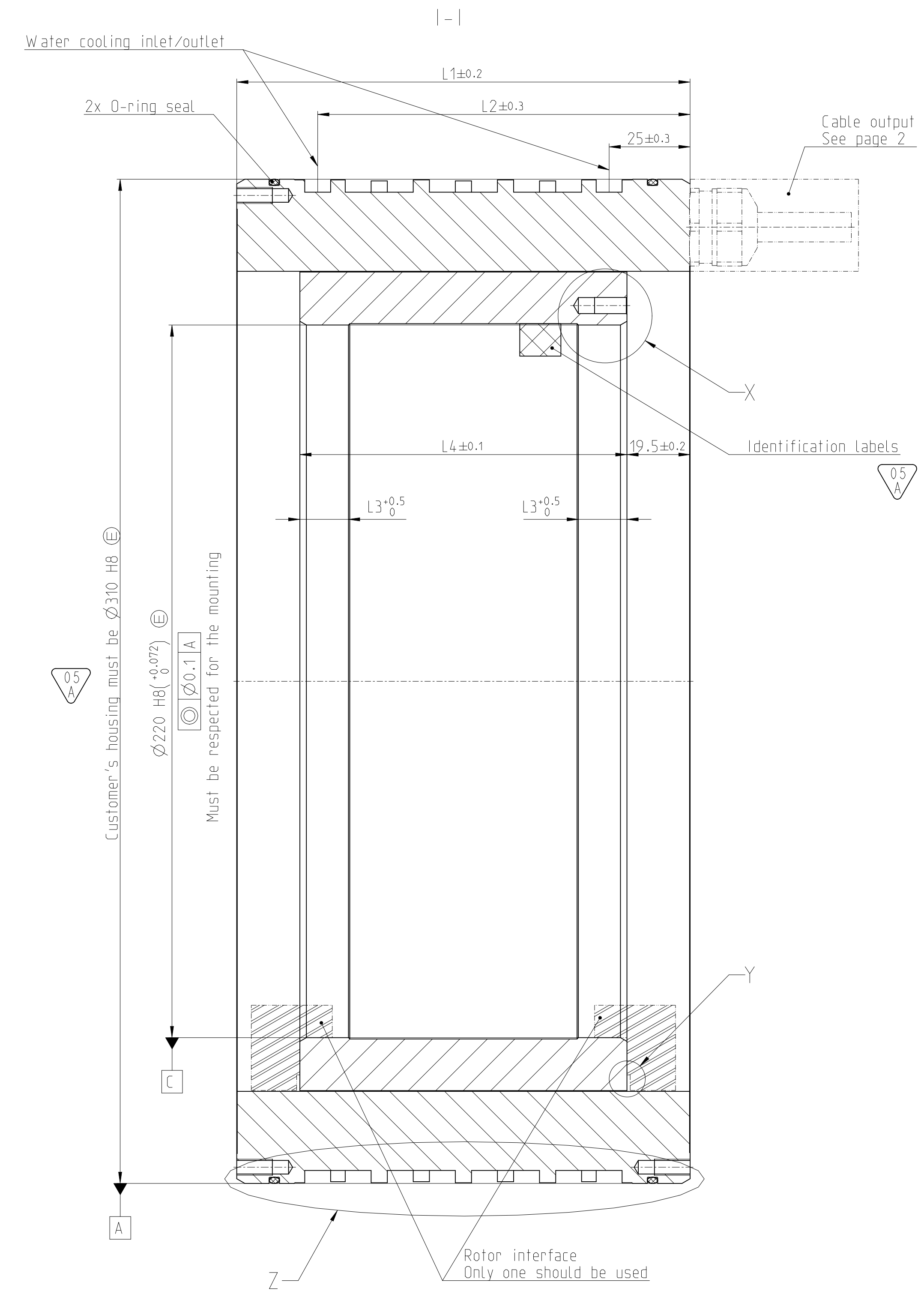
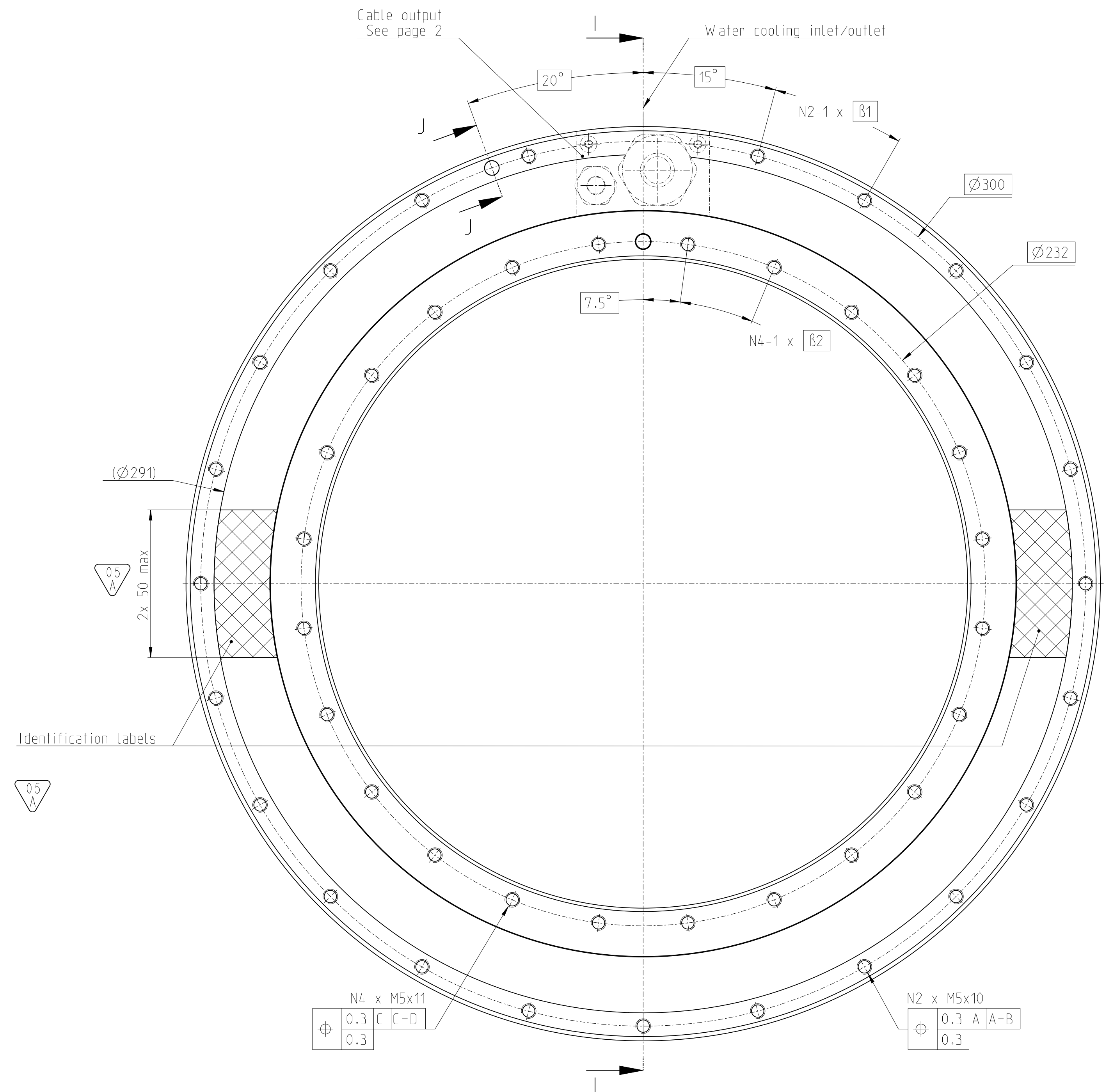
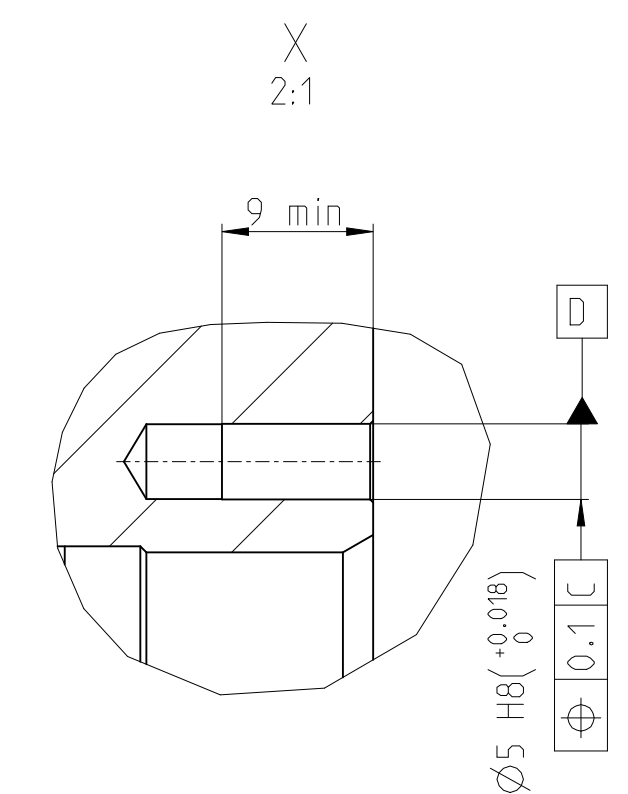
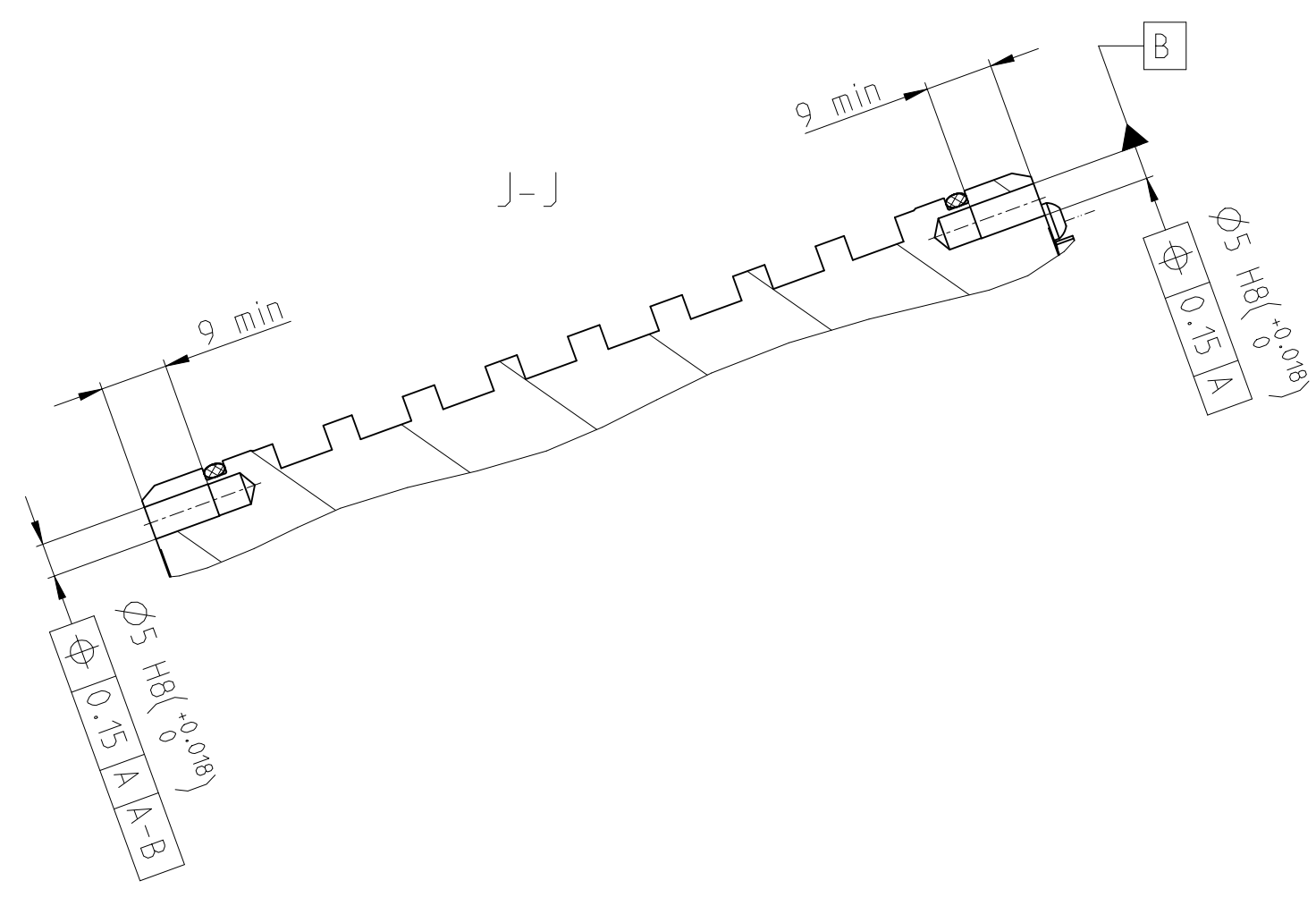
TMB+0210-###-#####-A#-AA0
 (Annex to interface drawing 1175577: please check for motor and cable cable output information)



TMB+0210-###-#####-R#-AA0
 (Annex to interface drawing 1175577: please check for motor and cable cable output information)



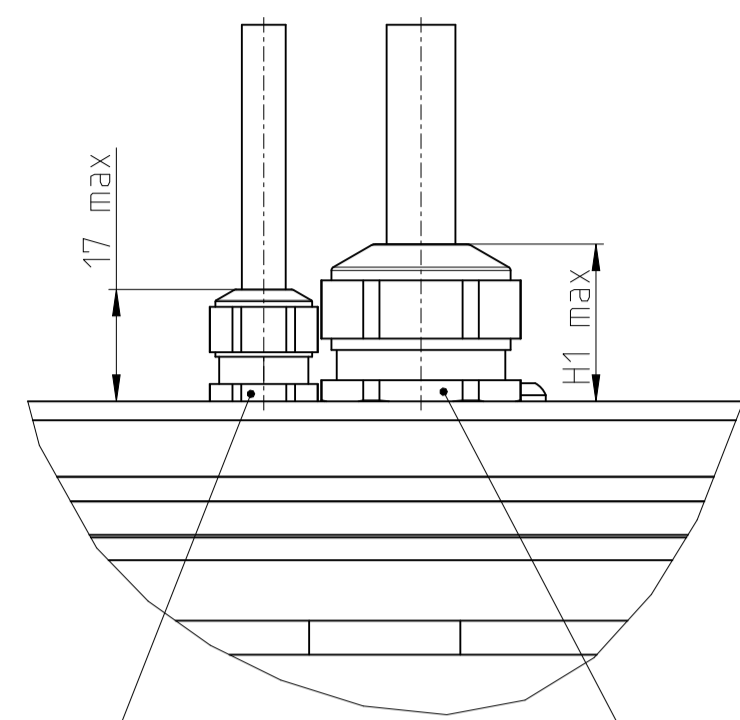
Designation	L2
TMB+0210-030	45
TMB+0210-050	65
TMB+0210-070	85
TMB+0210-100	115
TMB+0210-150	165
TMB+0210-200	215



Designation	L1	L2	L3	L4	N1	N2	N3	N4	B1	B2
TMB+0290-030	70	45	10	31						
TMB+0290-050	90	65		51	12	12	12	12	30°	30°
TMB+0290-070	110	85		71						
TMB+0290-100	140	115	15	101						
TMB+0290-150	190	165		151	24	23	24	24	15°	15°
TMB+0290-200	240	215		202			4.8	4.7		7.5°

Text:		ID number:	C0358643
Original drawing	Scale: 1:1	Change No:	10.12.2021
Released:		Released:	Released
Tolerances as per ISO 8015:2011		Tolerances as per ISO 8015:2011	
TMB+0290-###-####-O#-AAO		TMB+0290-###-####-O#-AAO	
TMB+0290-###-####-O#-AAO		TMB+0290-###-####-O#-AAO	
Dimensions in mm		Dimensions without tolerance	
1:1	A0	0.3	C [C-D]
The reproduction, distribution and utilization of this document as well as the communication of its contents to others without express authorization is prohibited. Offenders will be held liable for the payment of damages. All rights reserved in the event of the grant of a patent, utility model or design. (ISO 16016)		ETEL S.A. 2112 Môtte SWITZERLAND	
1175787-05-A-01		1175787-05-A-01	

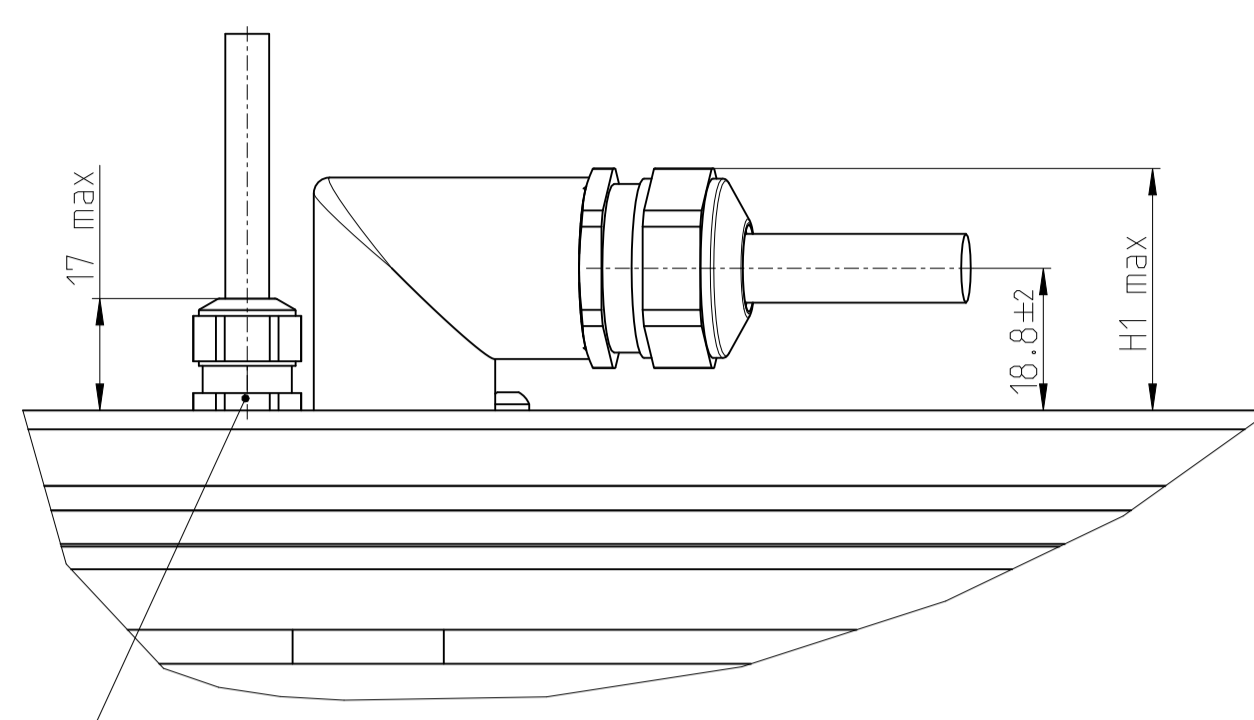
Type 1



Wrench size: 13mm

Wrench size: SWmm

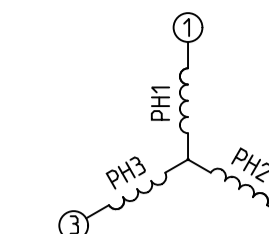
Type 2



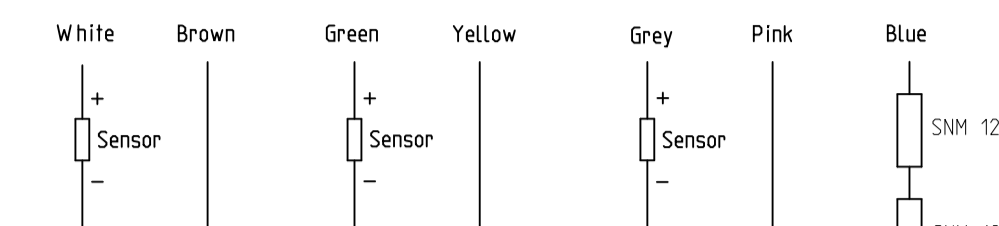
Wrench size: 13mm

Power cable connection

Phase 1 = wire 1
Phase 2 = wire 2
Phase 3 = wire 3
PE = yellow/green wire

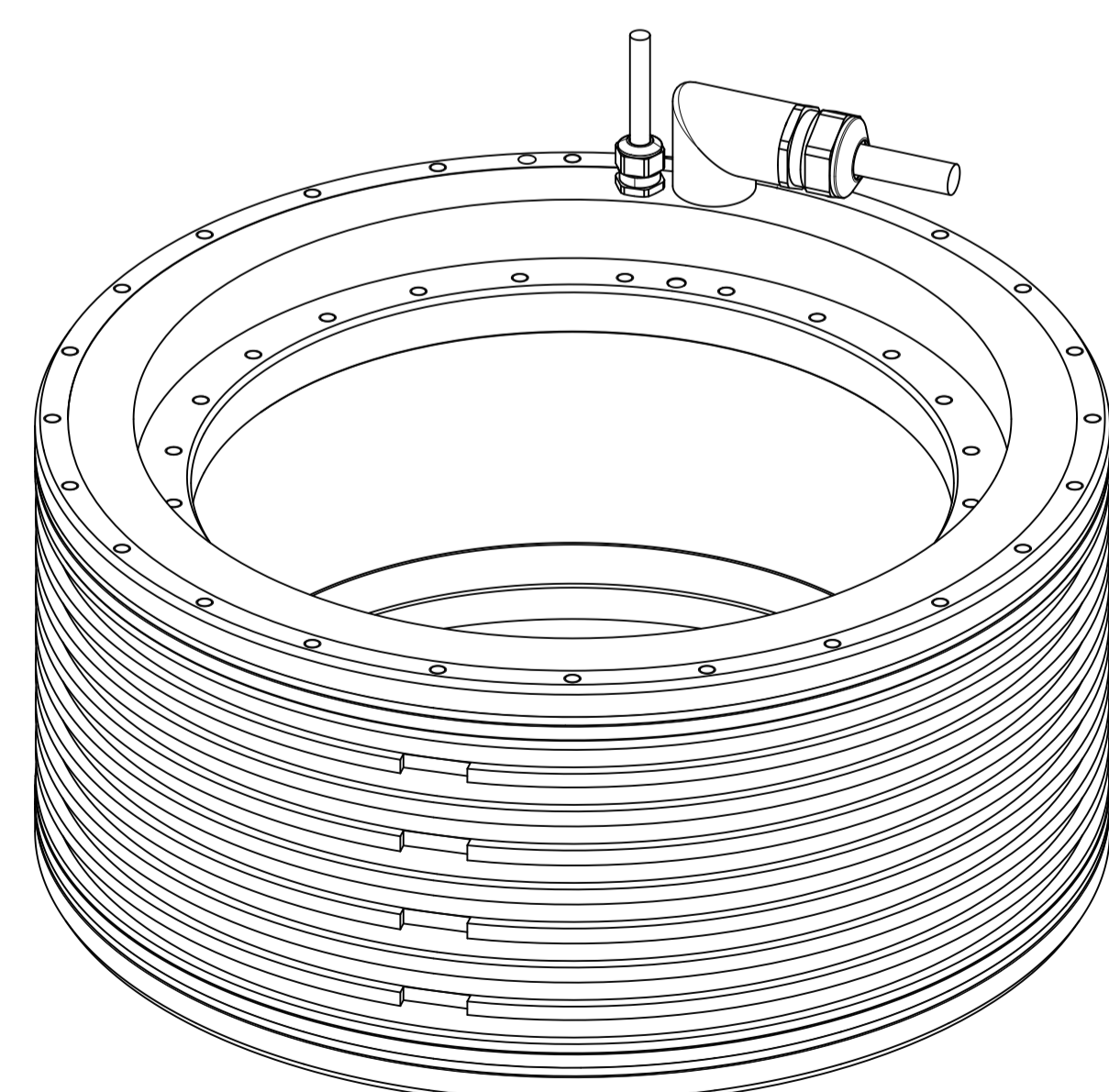
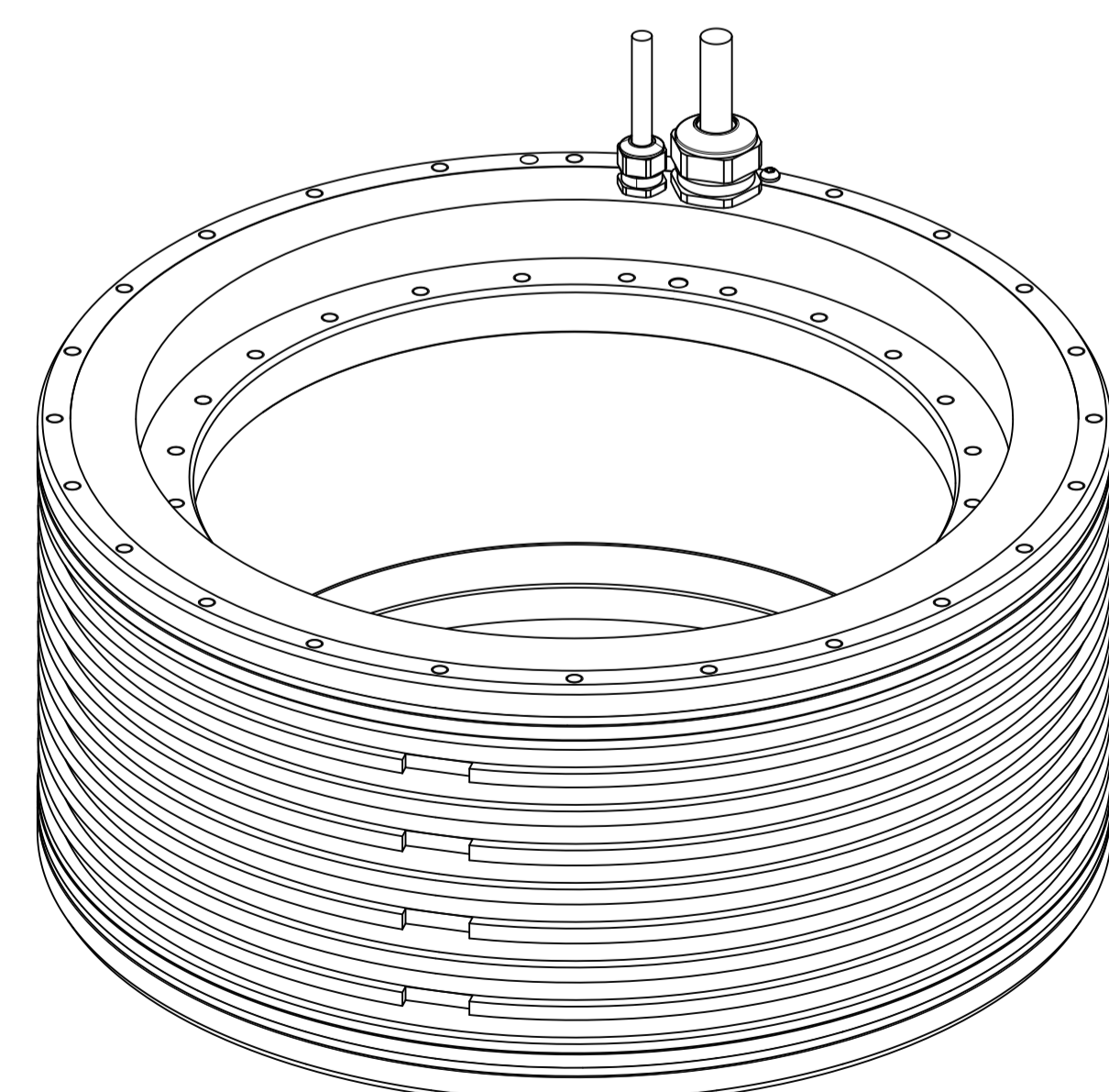
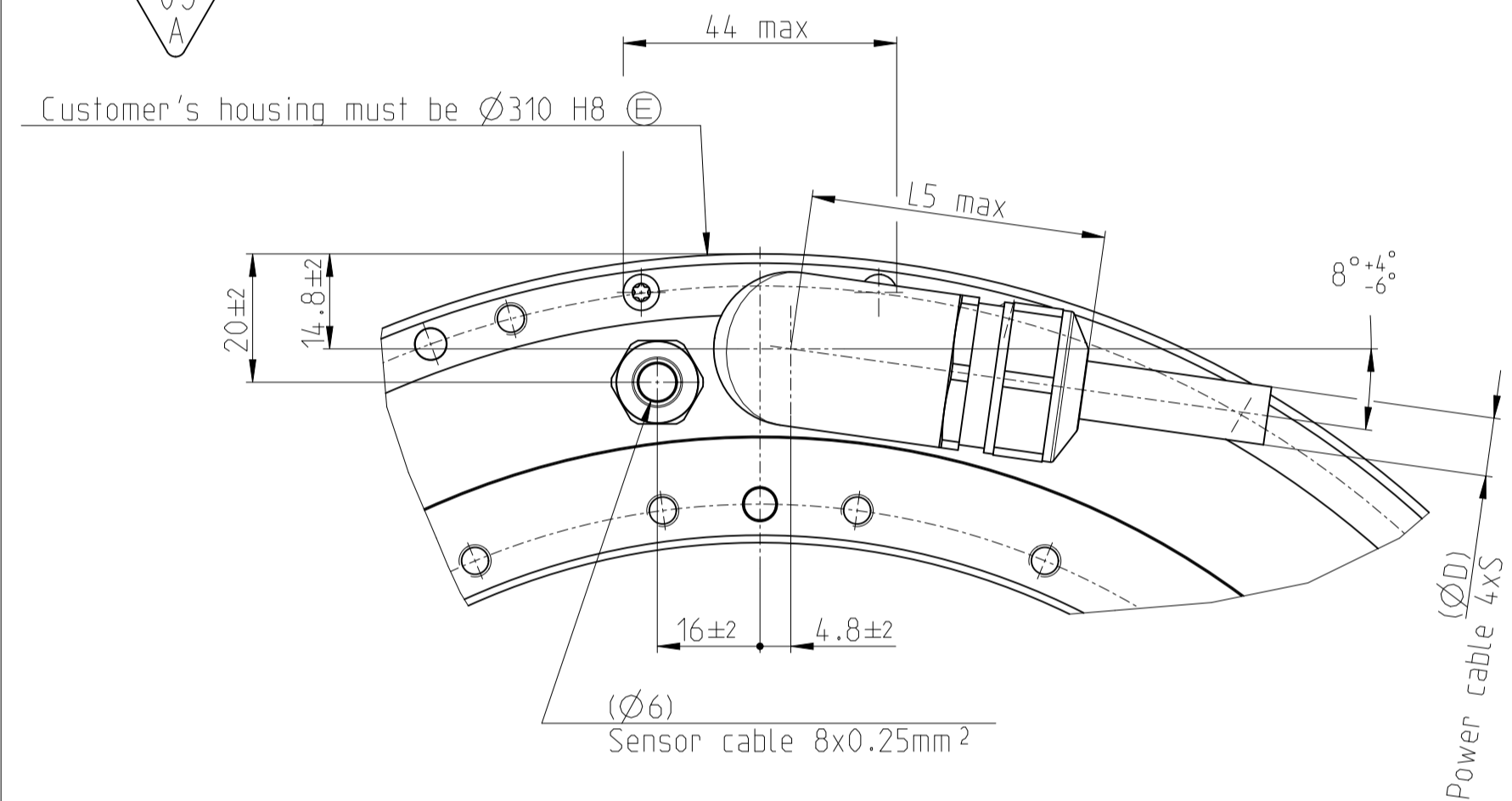
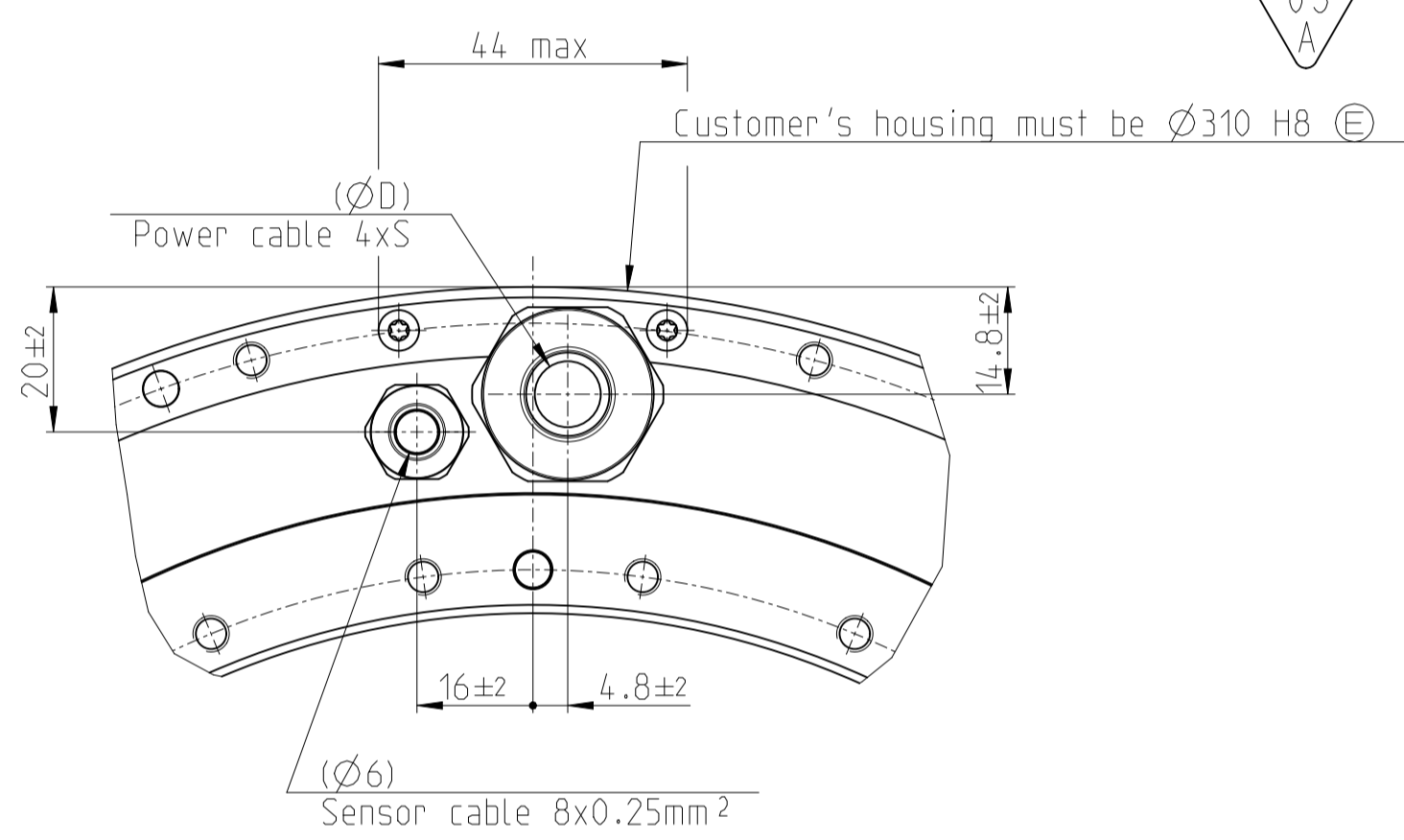


Sensor cable connection: "P" or "T" configuration



Configuration type	Sensor
"P"	KTY 84
"T"	PT 1000

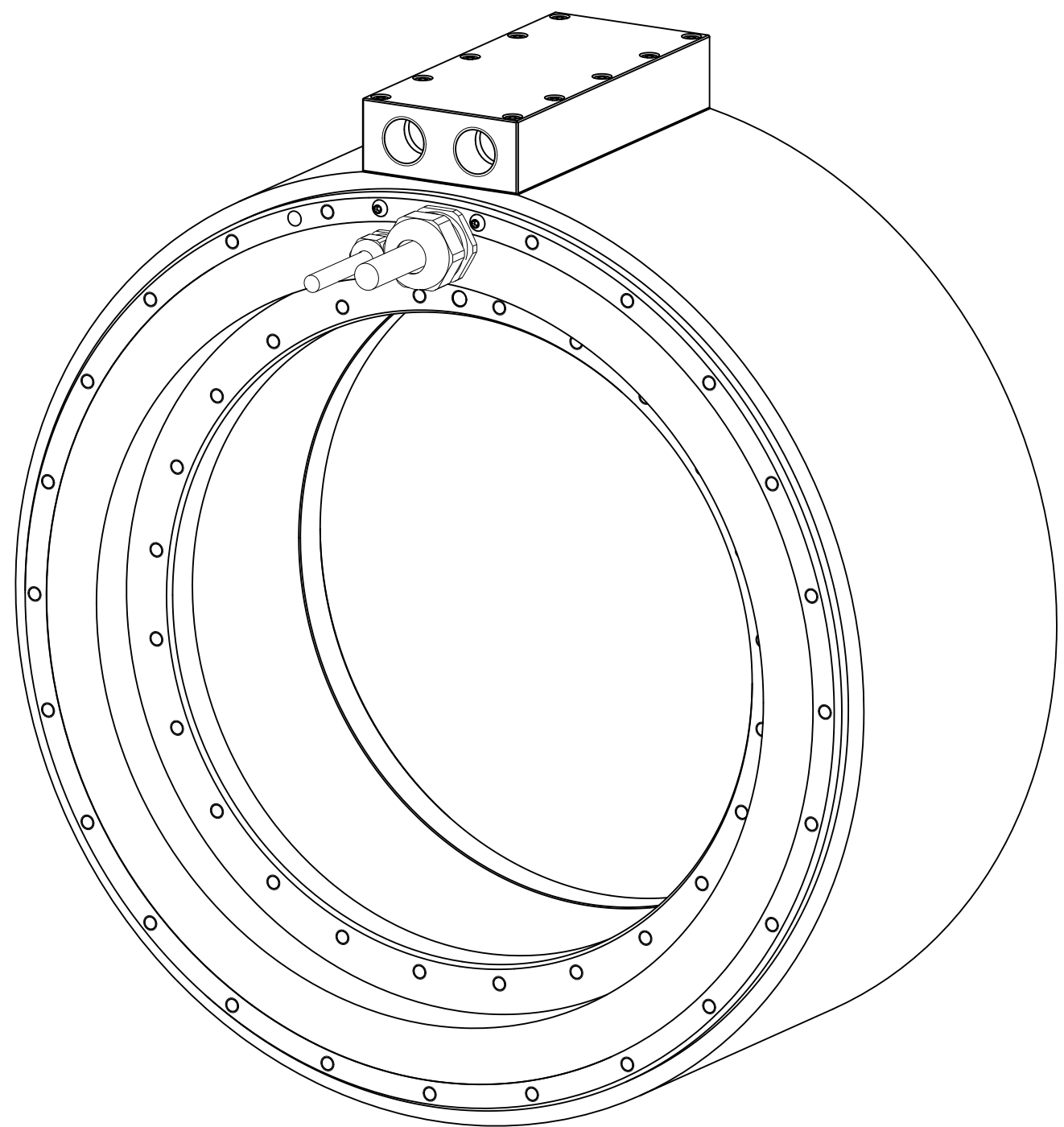
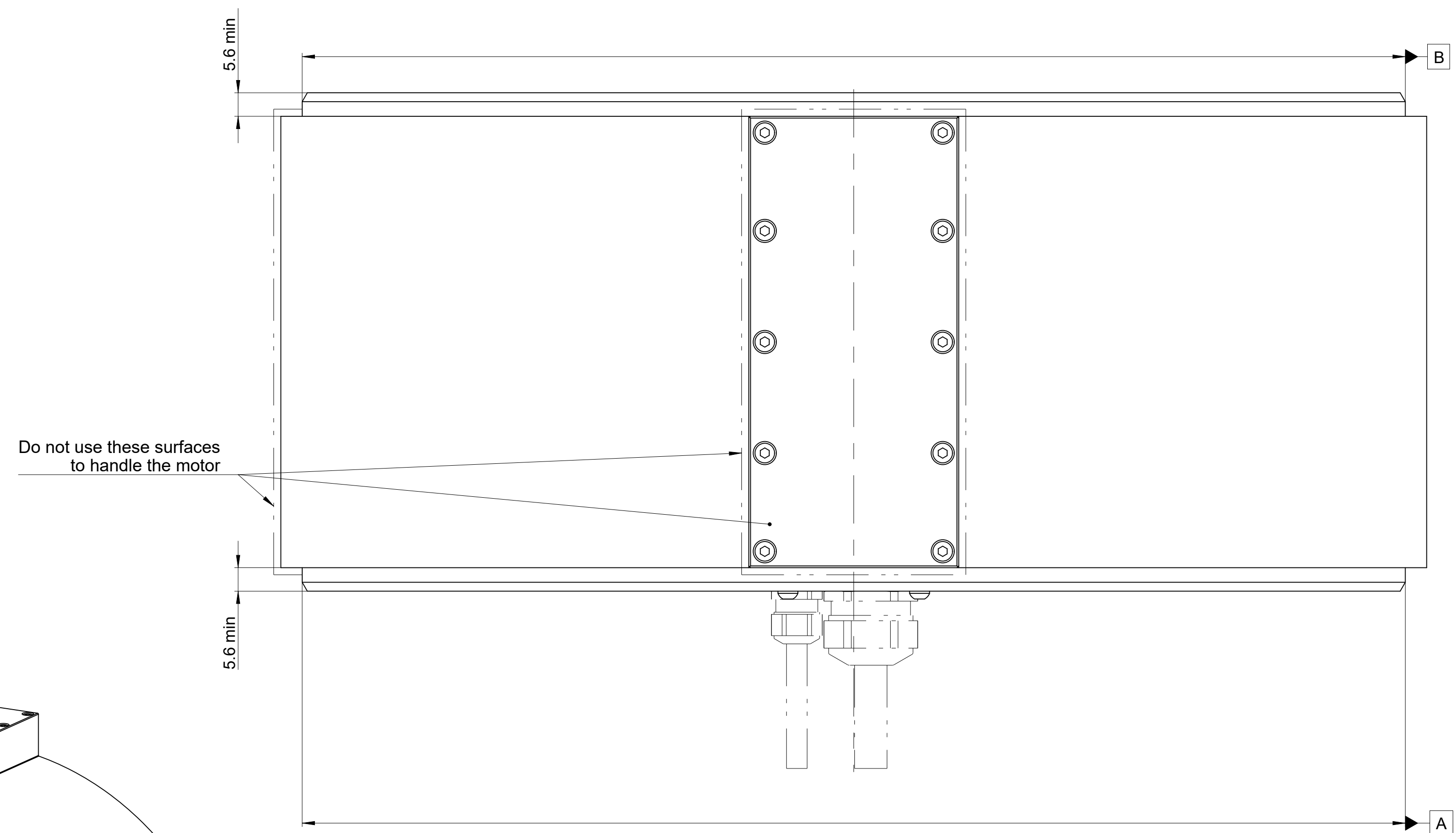
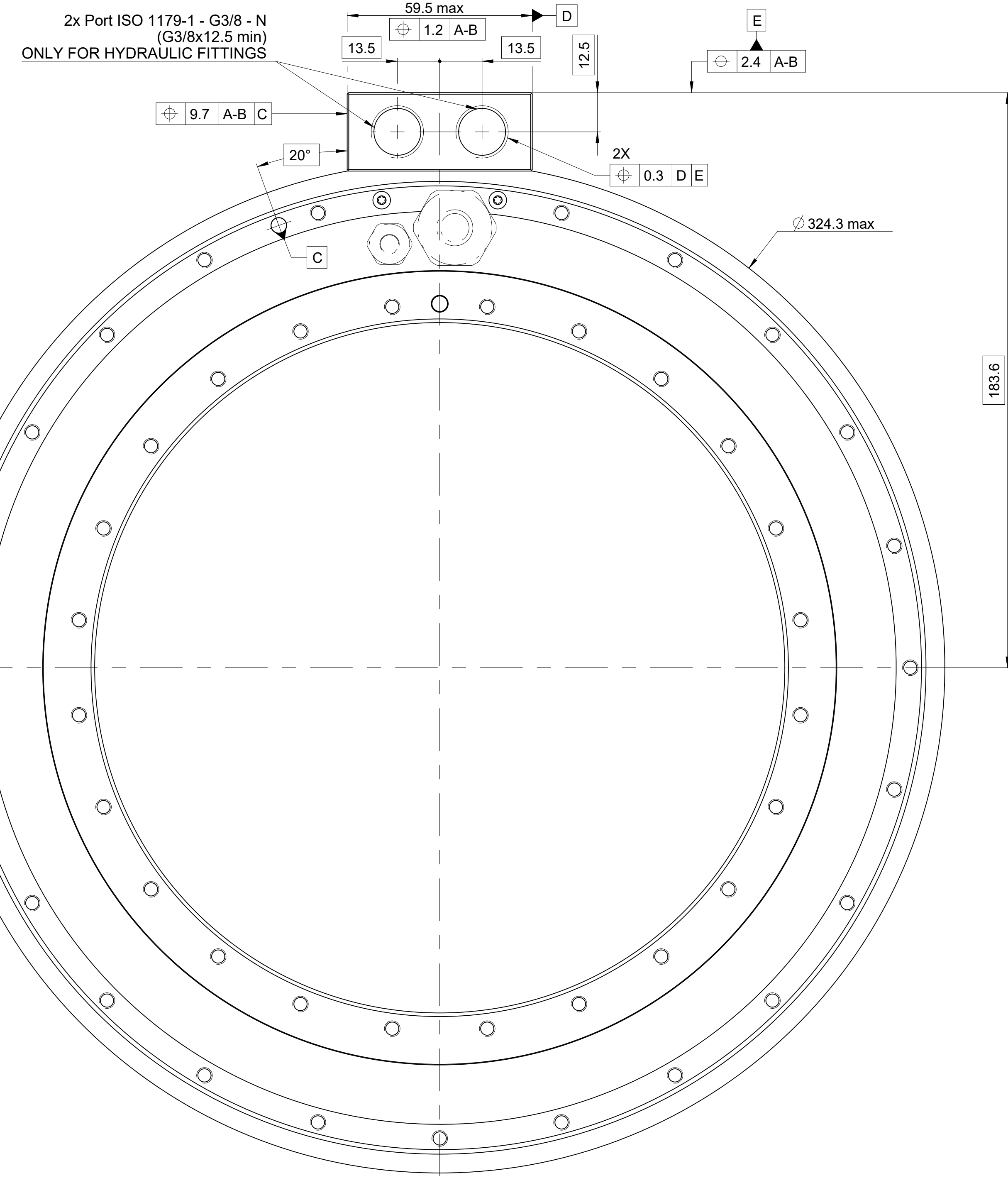
Motor family	0140	0210	0290	
	0175		0360	
	0291		0450	
			0530	
Connection			0760	
			0990	
			1221	
	White - Brown	Phase 1	Phase 3	Phase 2
	Green - Yellow	Phase 3	Phase 2	Phase 1
Grey - Pink	Phase 2	Phase 1	Phase 3	



Designation	Output type	S=Wire section	L5	H1	D	SW	Bending radius	
		[mm ²]	[mm]	[mm]	[mm]	[mm]	[mm]	
TMB+0290-###-RA#S#	Type 1	1.5	-	26.5	9.1	24	Static bending radius for: - sensor cable = 30 - power cable = 4 x ØD	
TMB+0290-###-RA#E#	Type 2		51.5	34.5				
TMB+0290-###-TA#S#	Type 1		-	26.5				
TMB+0290-###-TA#E#	Type 2		51.5	34.5				
TMB+0290-###-UA#S#	Type 1		-	26.5				
TMB+0290-###-UA#E#	Type 2		51.5	34.5				
TMB+0290-030 to 050-TB#S#	Type 1	2.5	-	26.5	10.6	24		
TMB+0290-030 to 050-TB#E#	Type 2		51.5	34.5				
TMB+0290-070 to 200-TB#S#	Type 1	4	-	28.5	11.9			24
TMB+0290-070 to 200-TB#E#	Type 2		53.5	34.5				
TMB+0290-###-UB#S#	Type 1		-	28.5				
TMB+0290-###-UB#E#	Type 2		53.5	34.5				

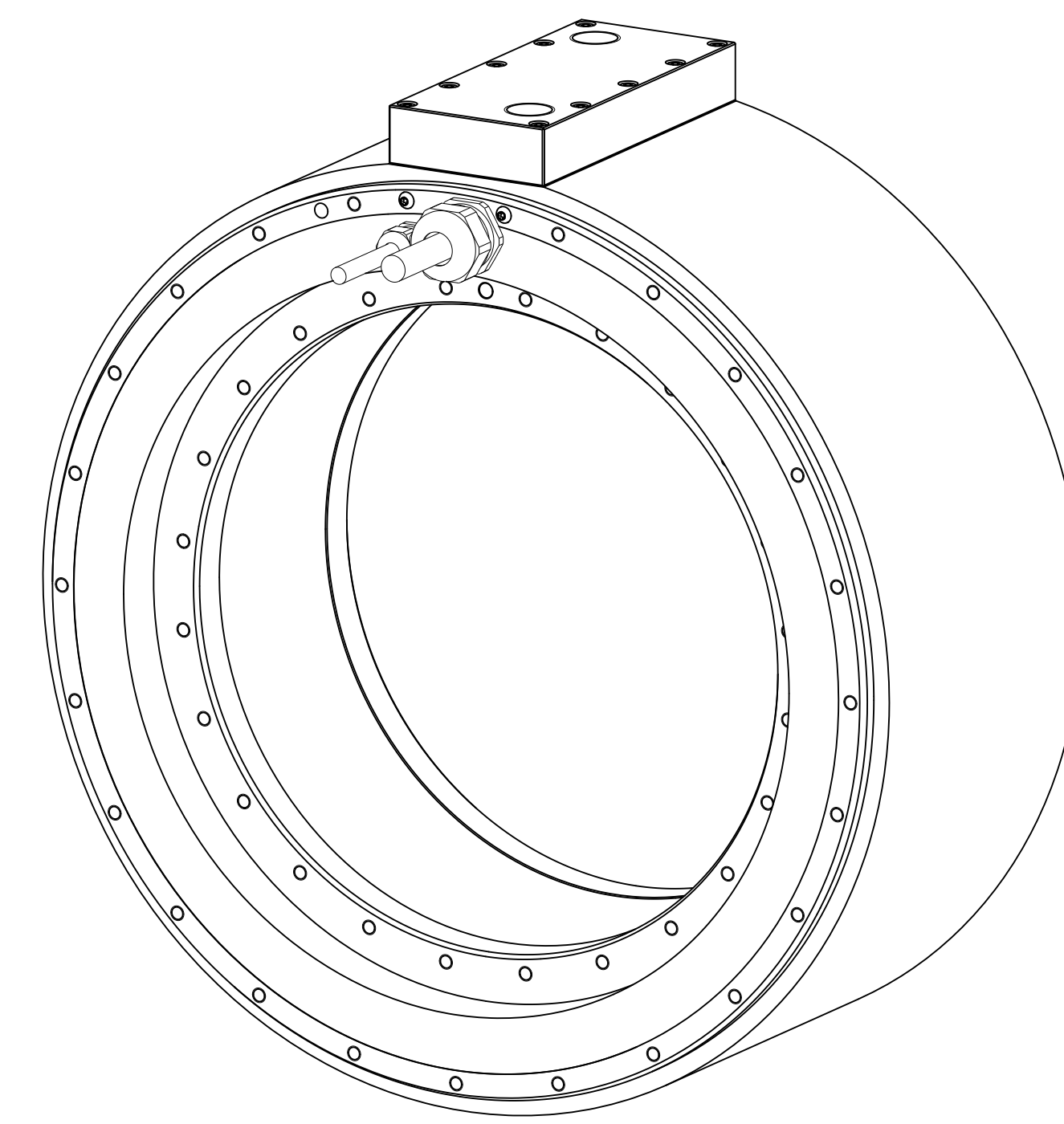
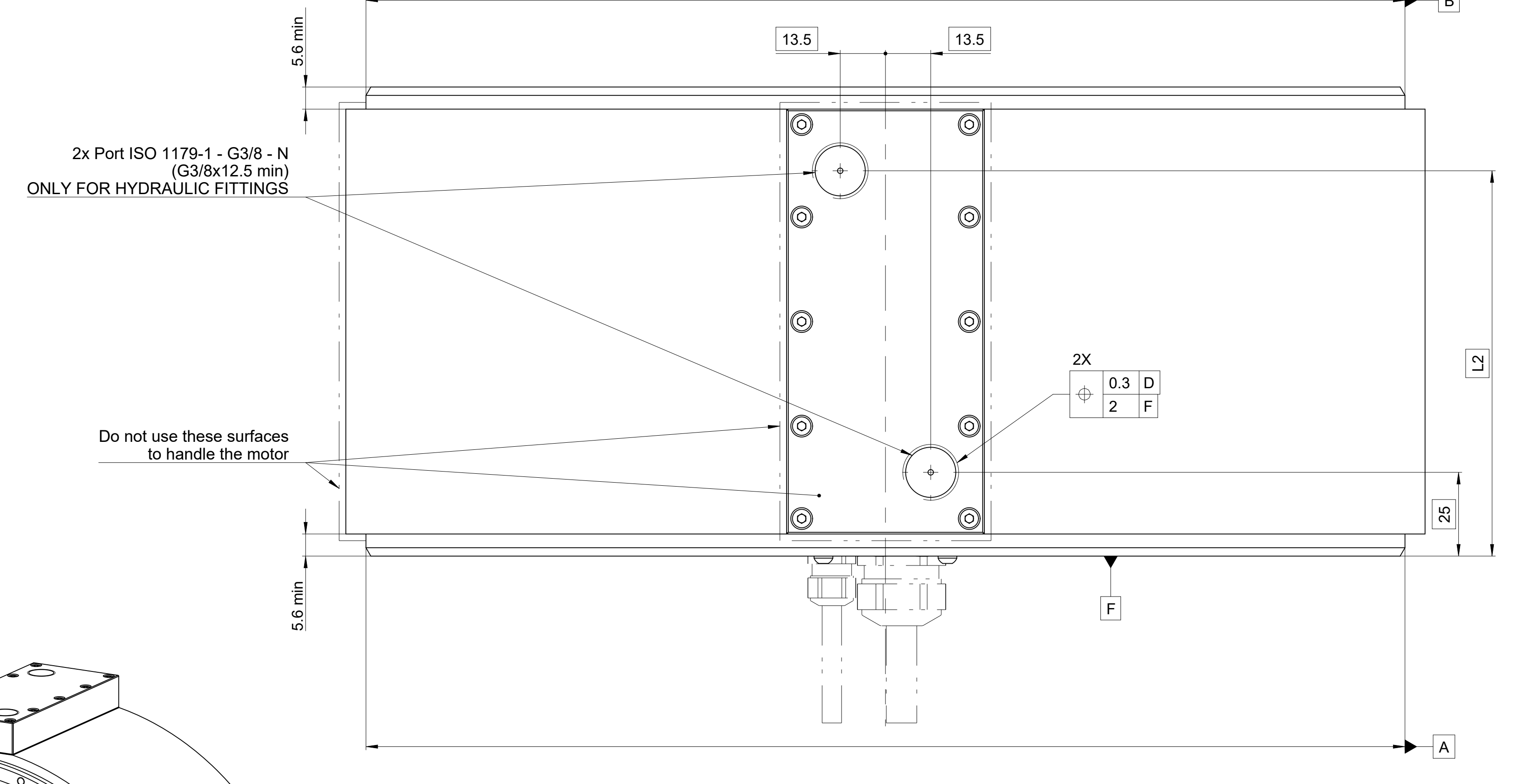
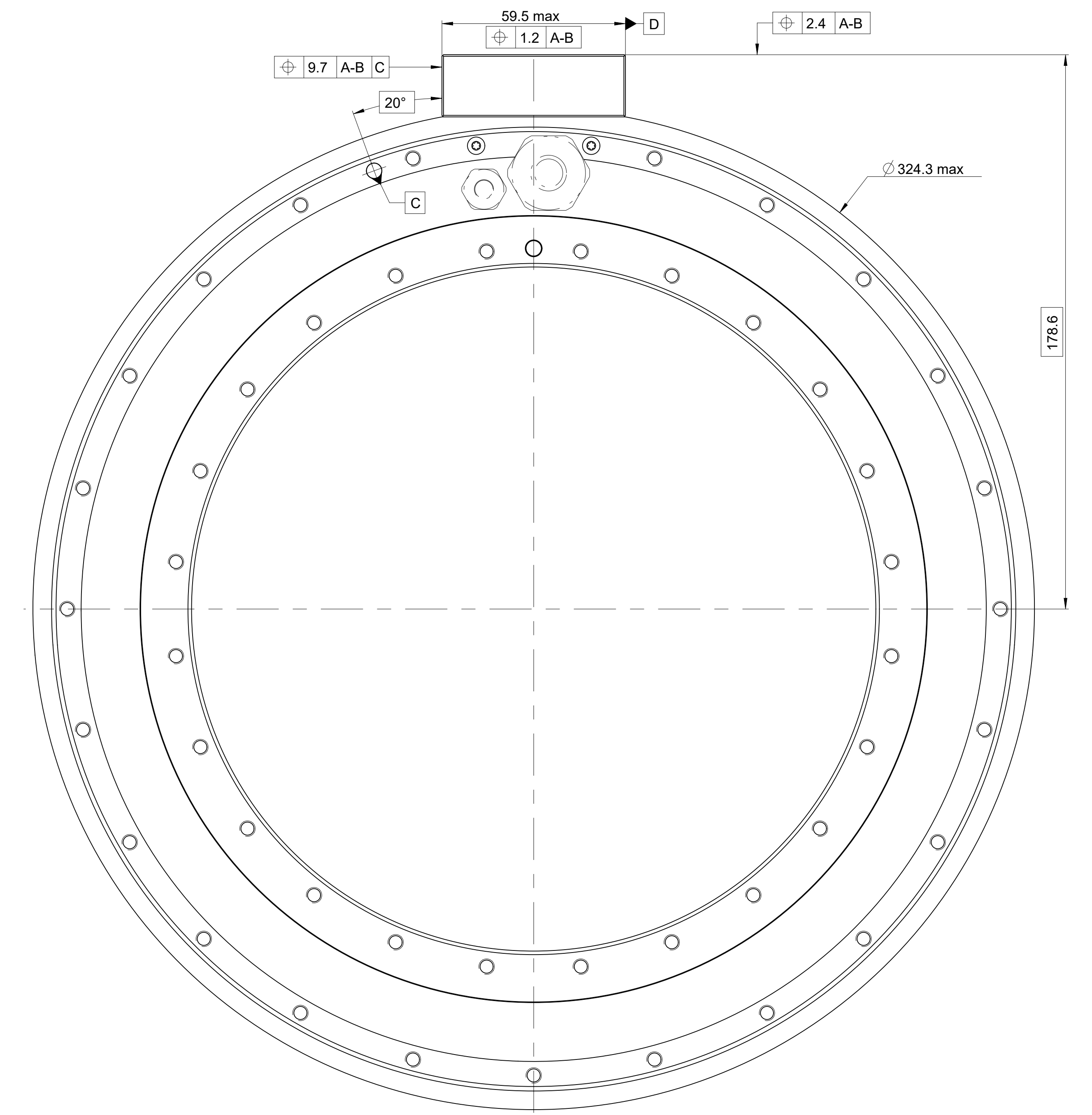
Text:		ID number:
Change No.:		C075986-33
Released:		10.12.2021
Tolerances as per ISO 8015 : 2011		Tolerances selon ISO 8015 : 2011
Dimensions without tolerance		± 0.2
Dimensions sans tolérances		± 0.2
The reproduction, distribution and utilization of this document as well as the communication of its contents to others without express authorization is prohibited. Offenders will be held liable for the payment of damages. All rights reserved in the event of the grant of a patent, utility model or design. (ISO 18015)		
Original drawing	Scale	Format
1:1	A1	
TMB+0290-###-####-O#-AAO		
TMB+0290-###-####-O#-AAO		
Mating Dimensions / Coles d'encastrement		
ETEL S.A.		
2112 Möllers		
SWITZERLAND		
Version Revision Sheet Page		
1175787-05-A-01		2 of 2
Document number		

TMB+0290-###-#####-A#-AA0
 (Annex to interface drawing 1175787: please check for motor and cable output information)



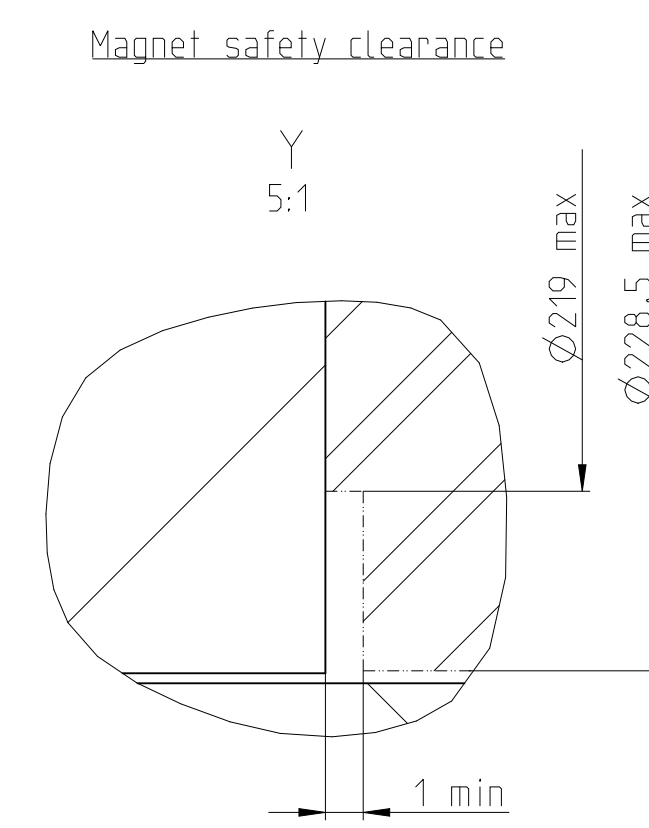
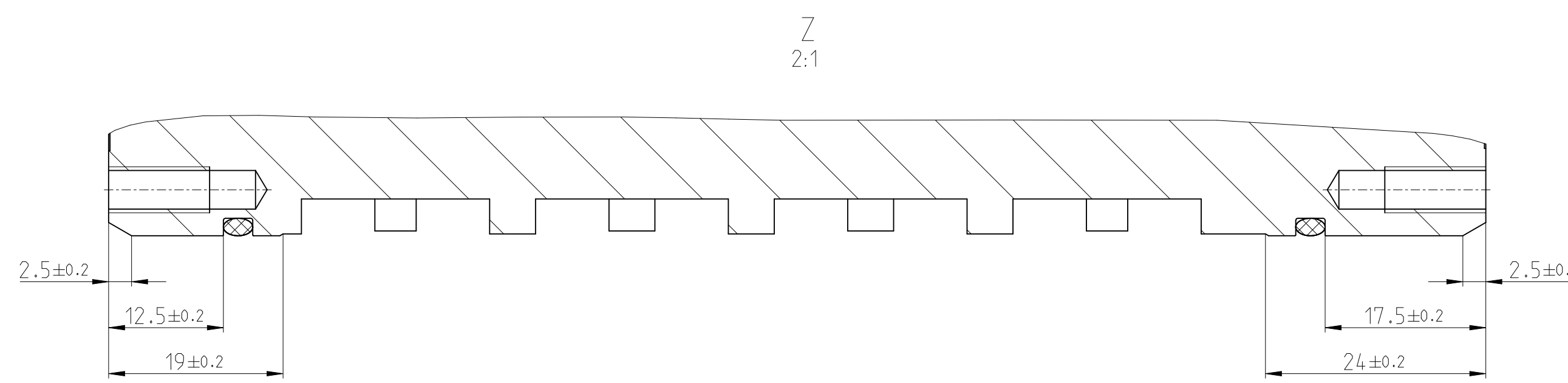
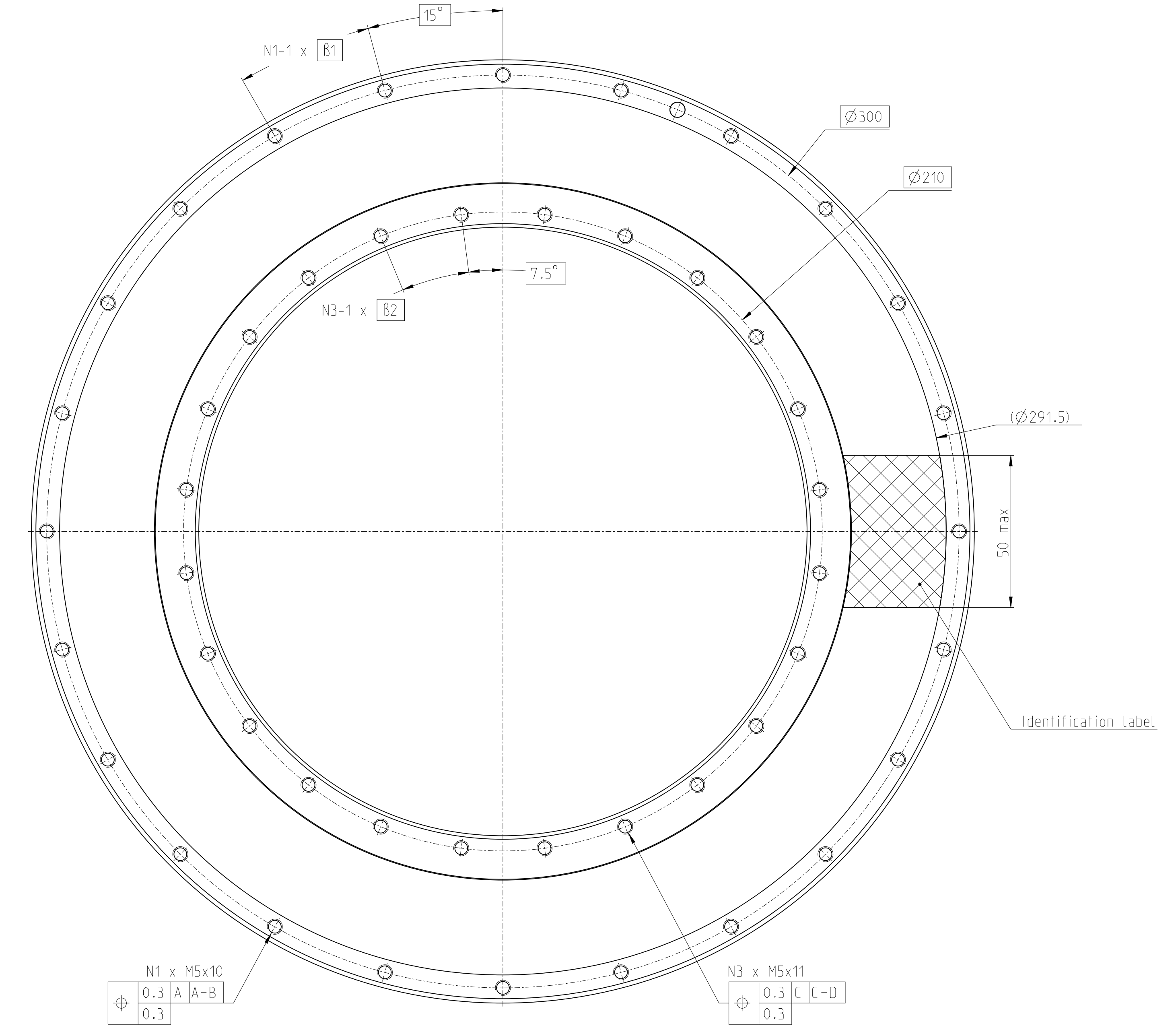
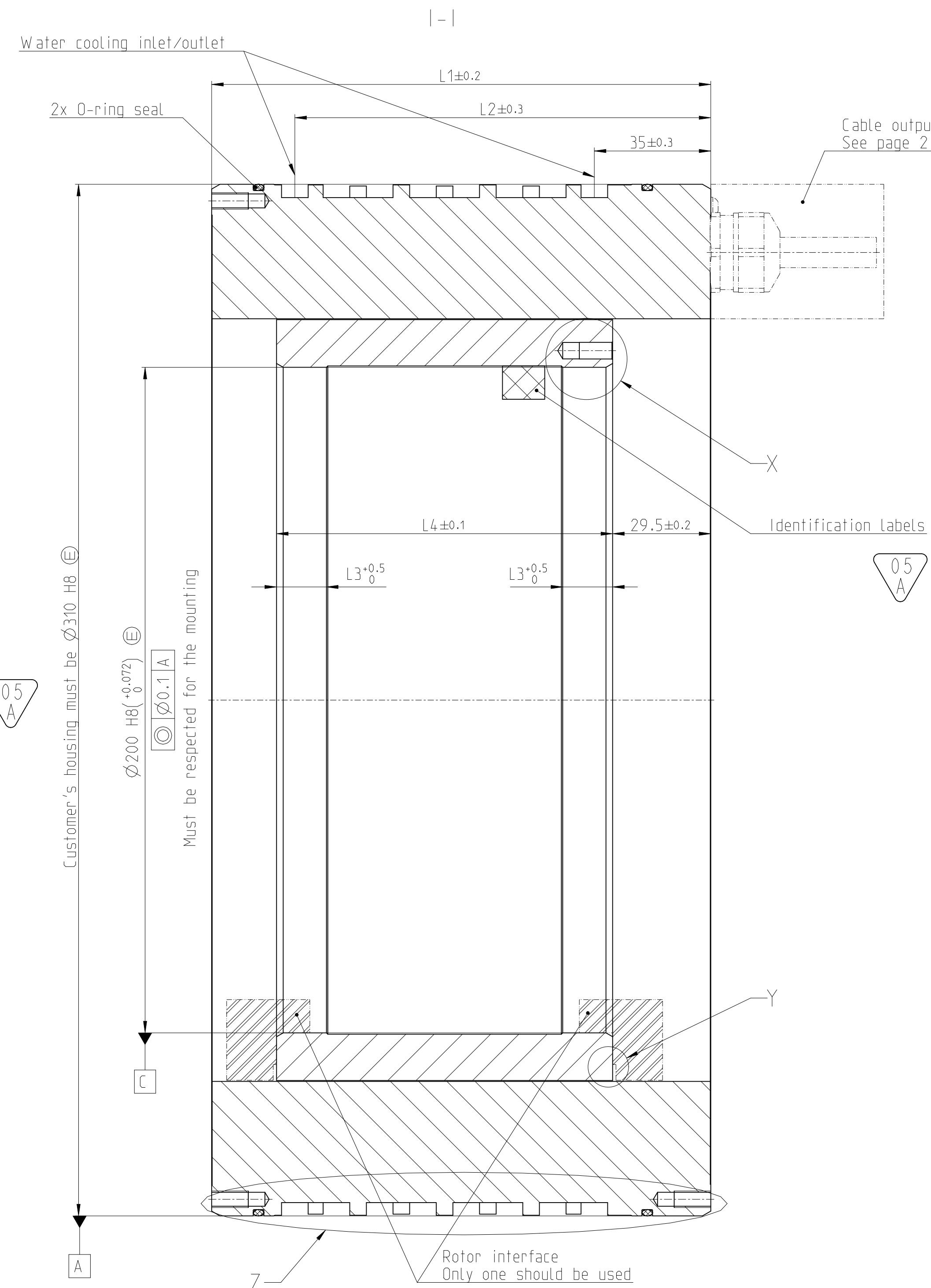
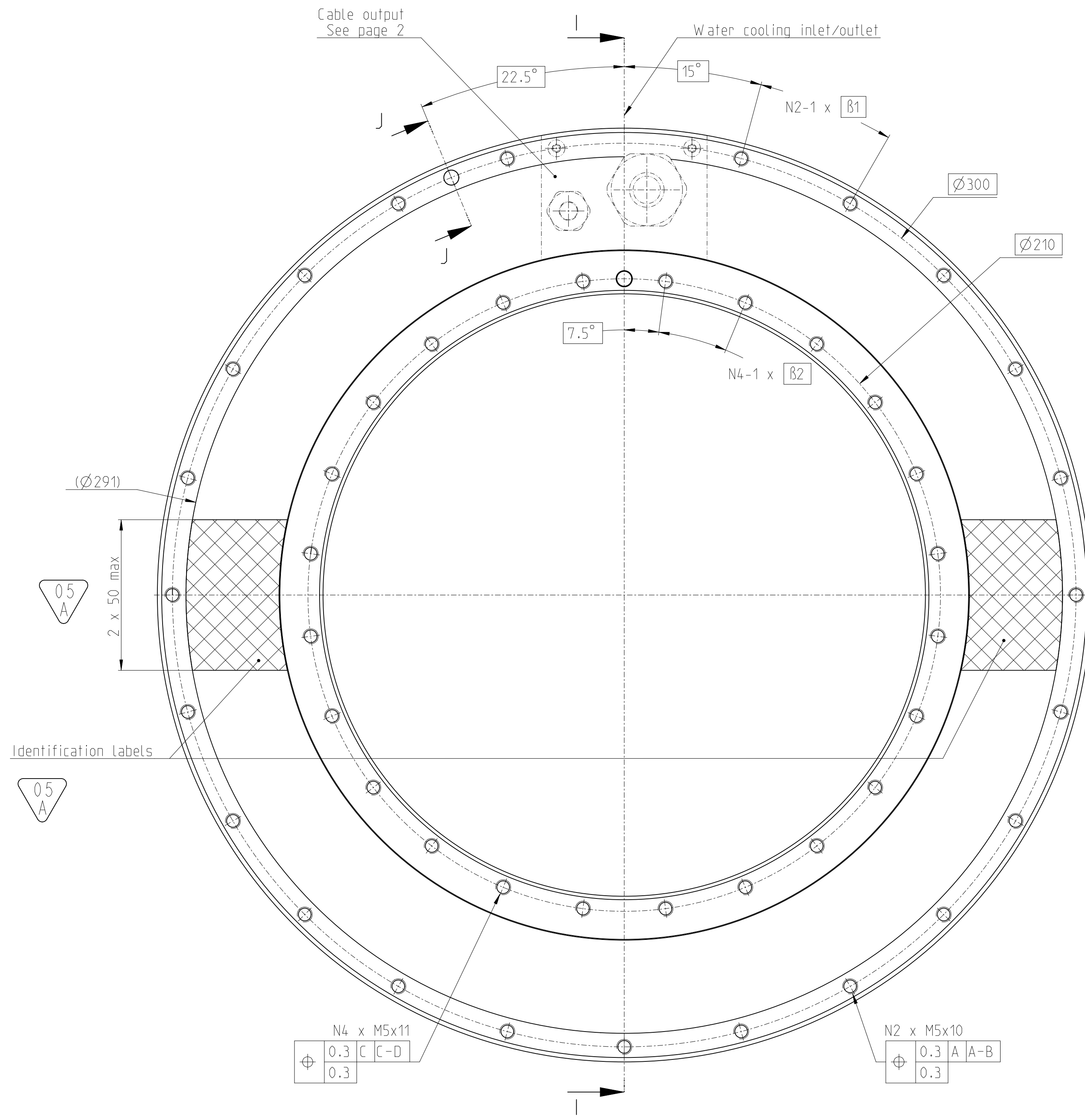
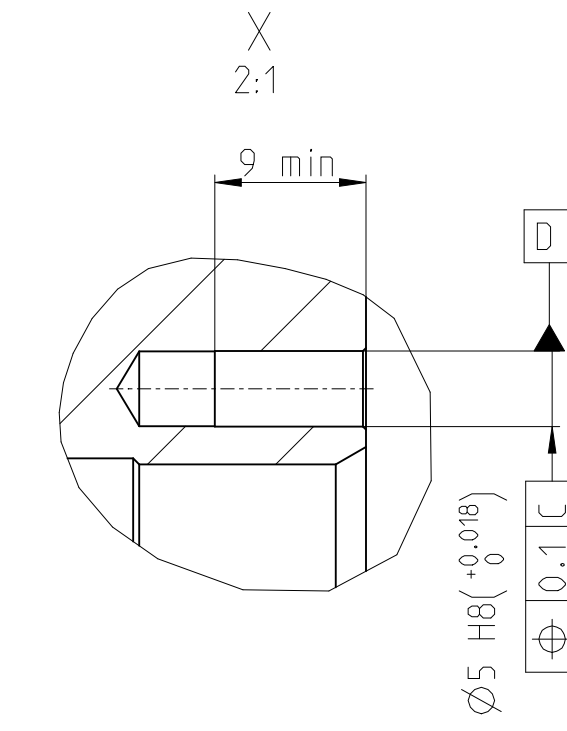
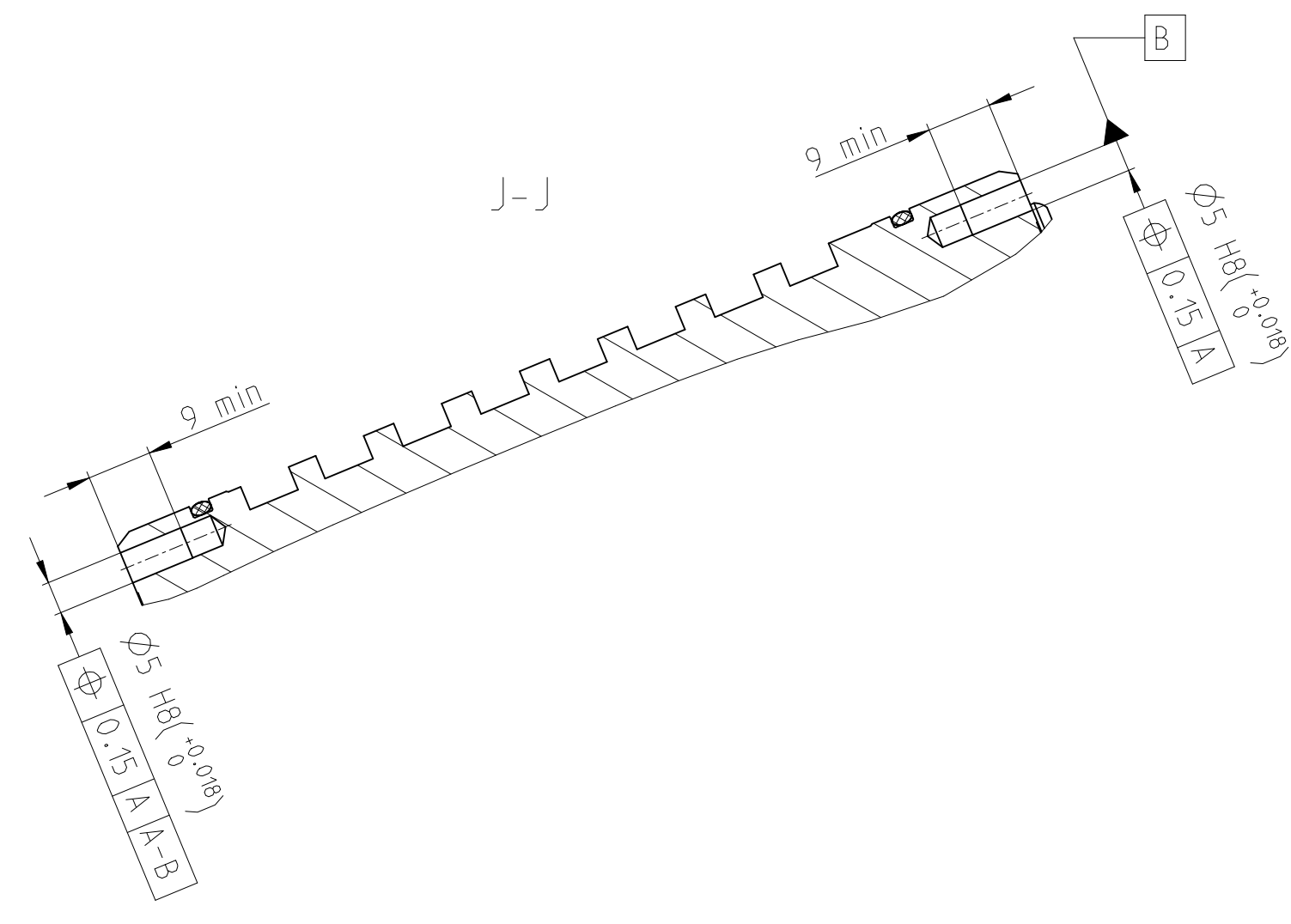
1:2

TMB+0290-###-#####-R#-AA0
 (Annex to interface drawing 1175787: please check for motor and cable output information)



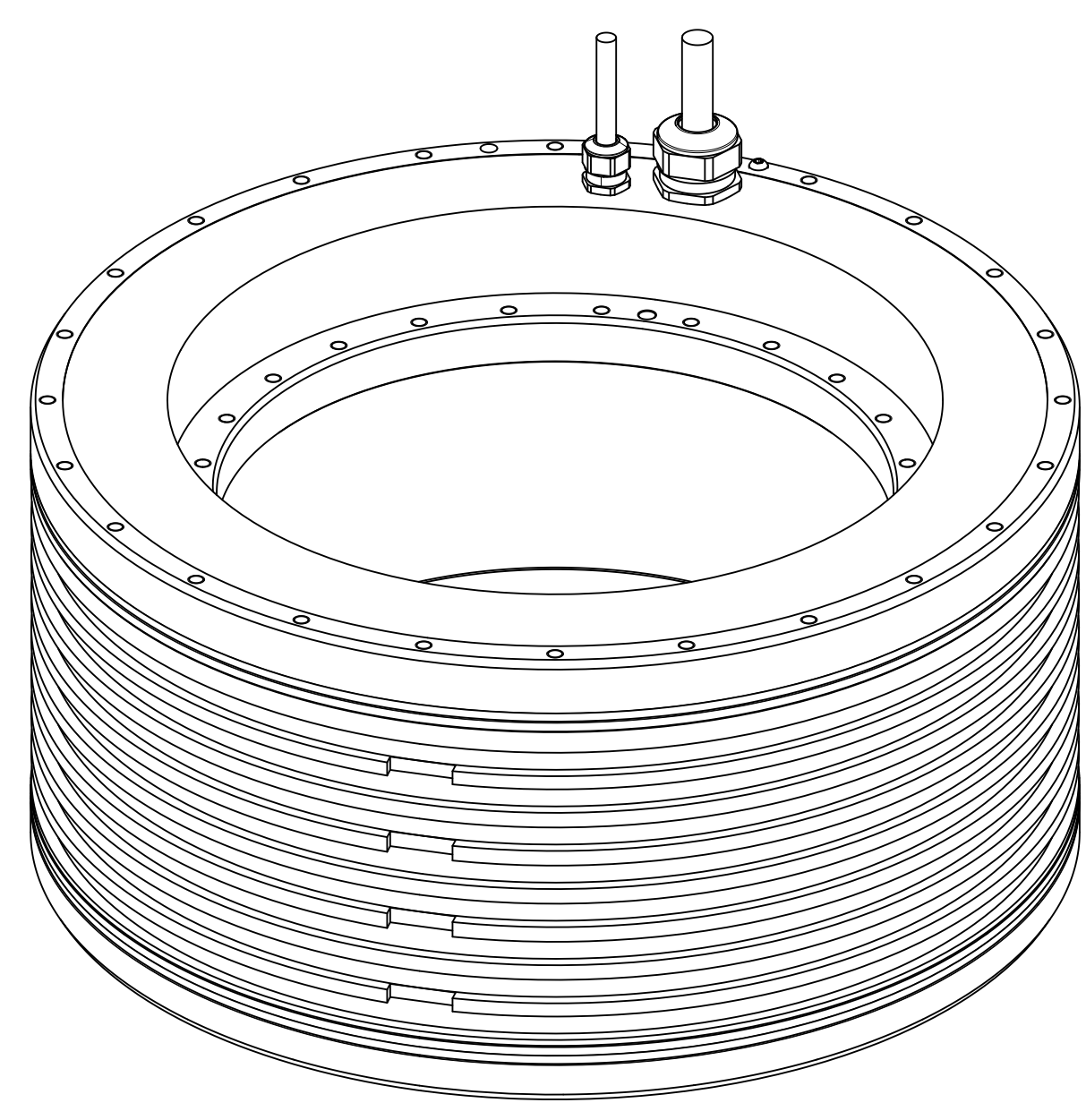
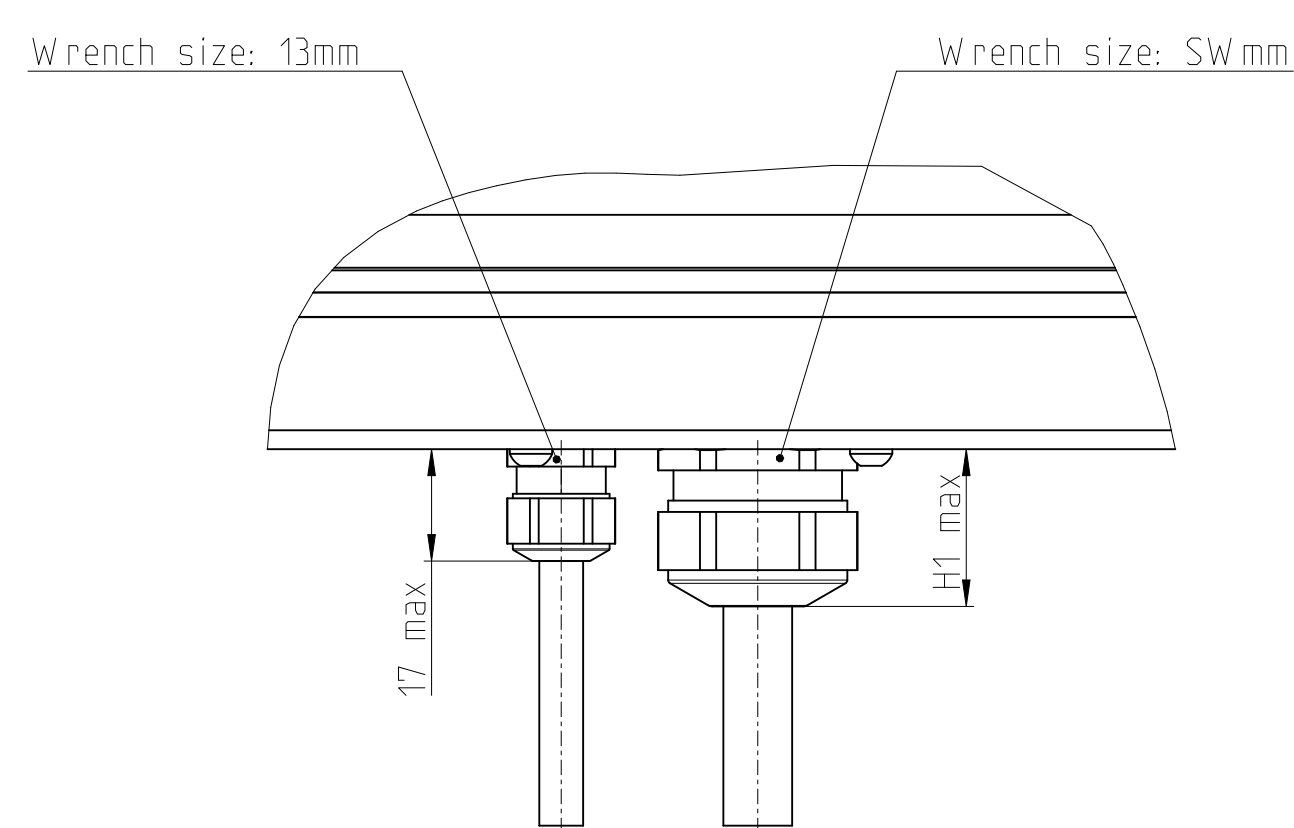
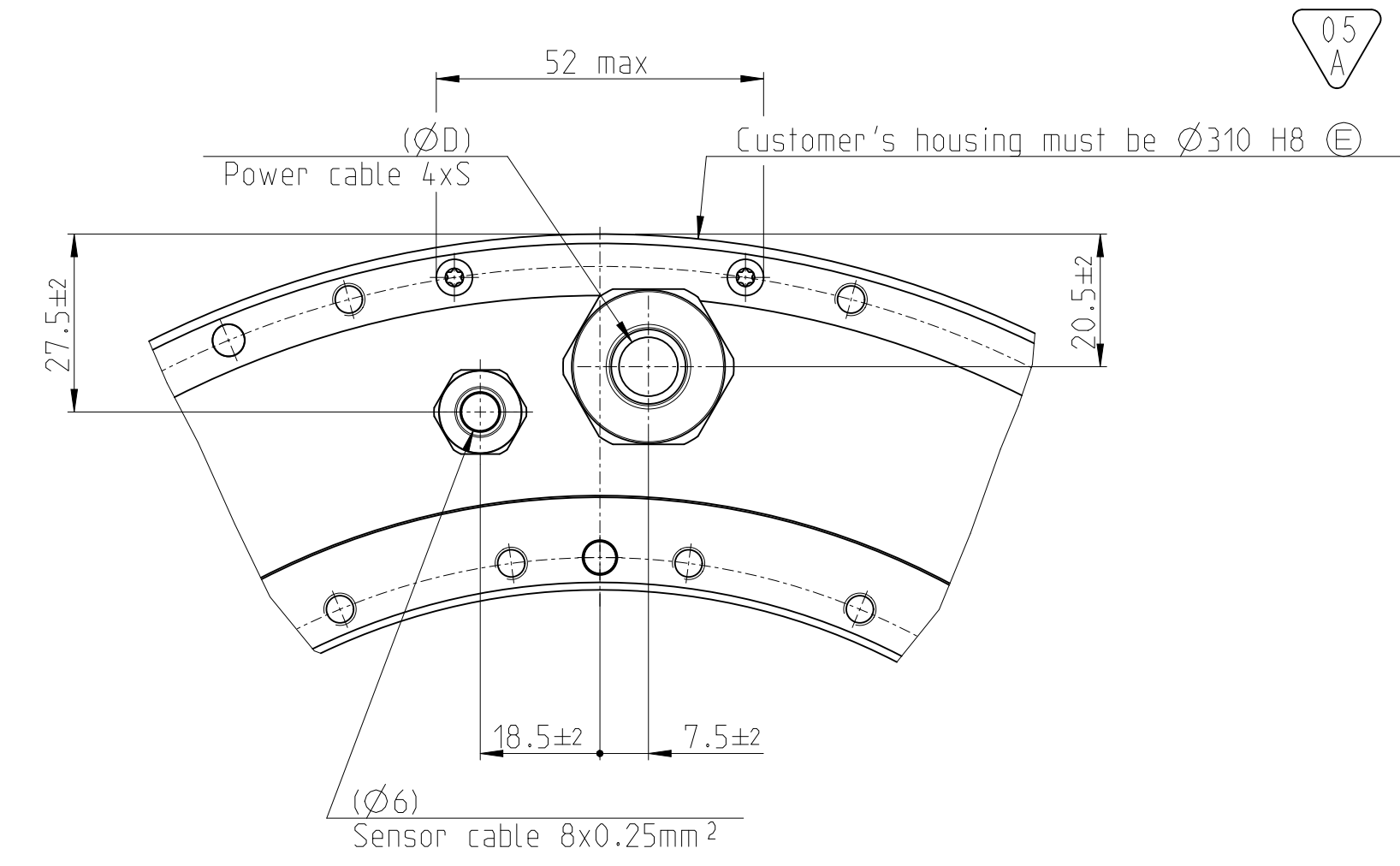
1:2

Designation	L2
TMB+0290-030	45
TMB+0290-050	65
TMB+0290-070	85
TMB+0290-100	115
TMB+0290-150	165
TMB+0290-200	215

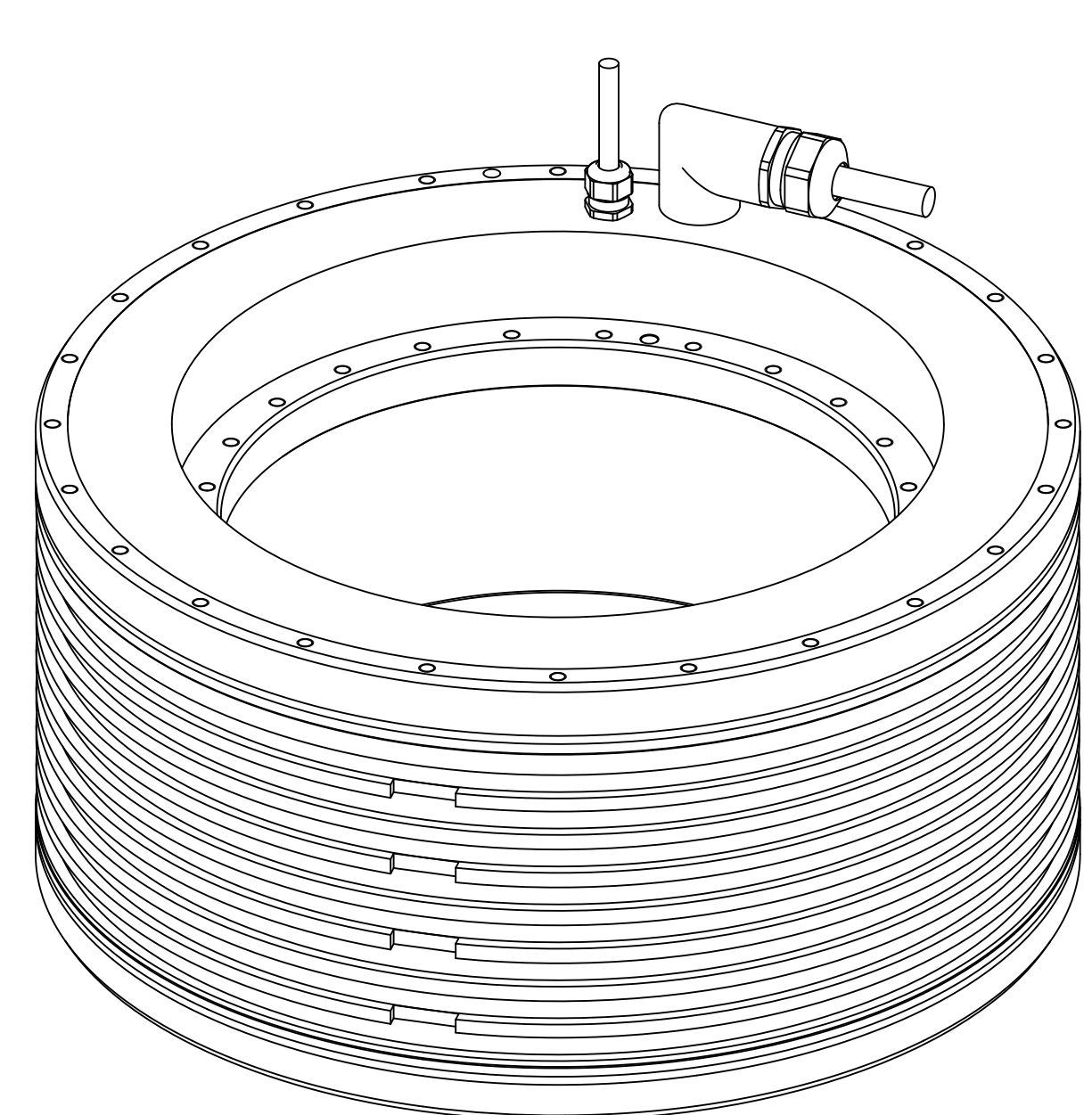
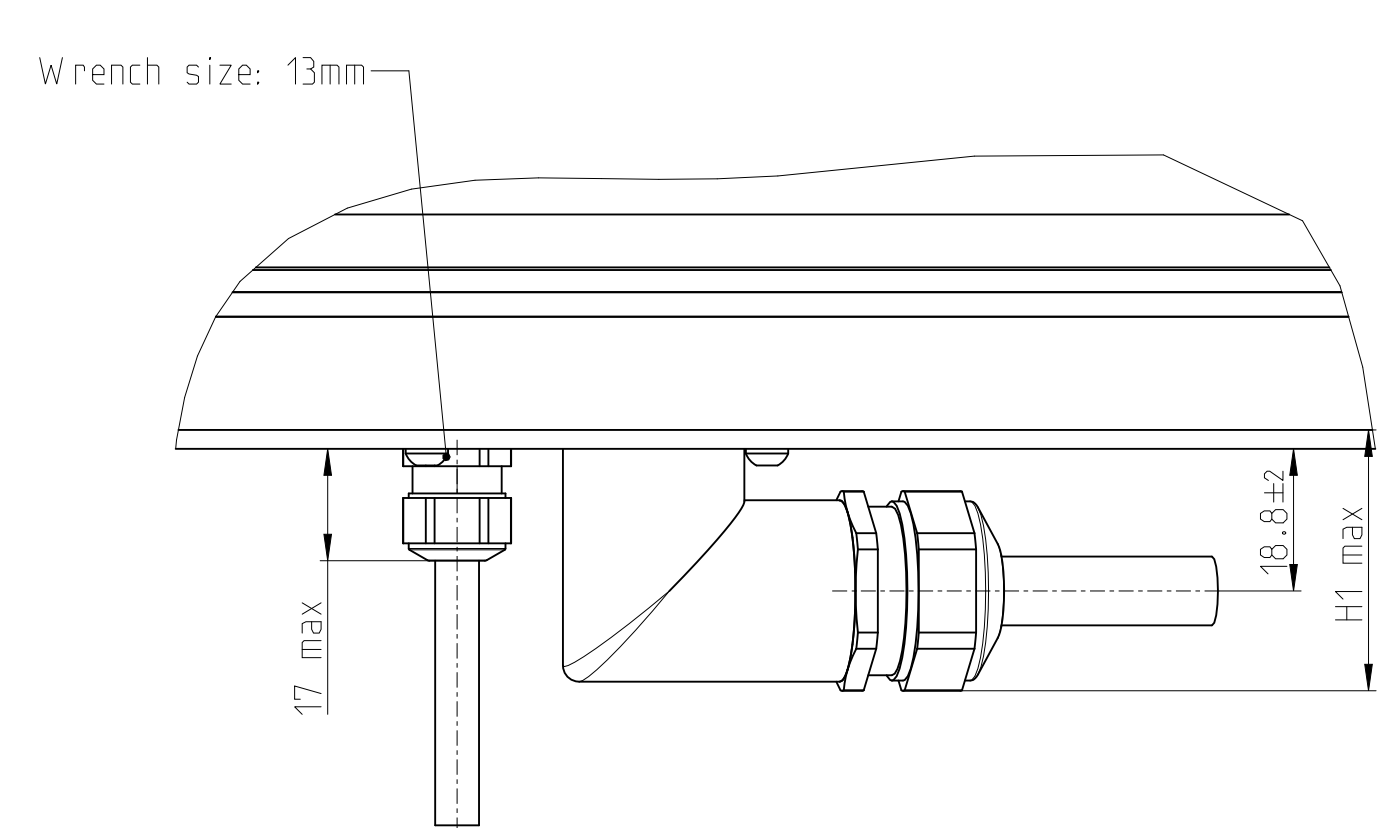
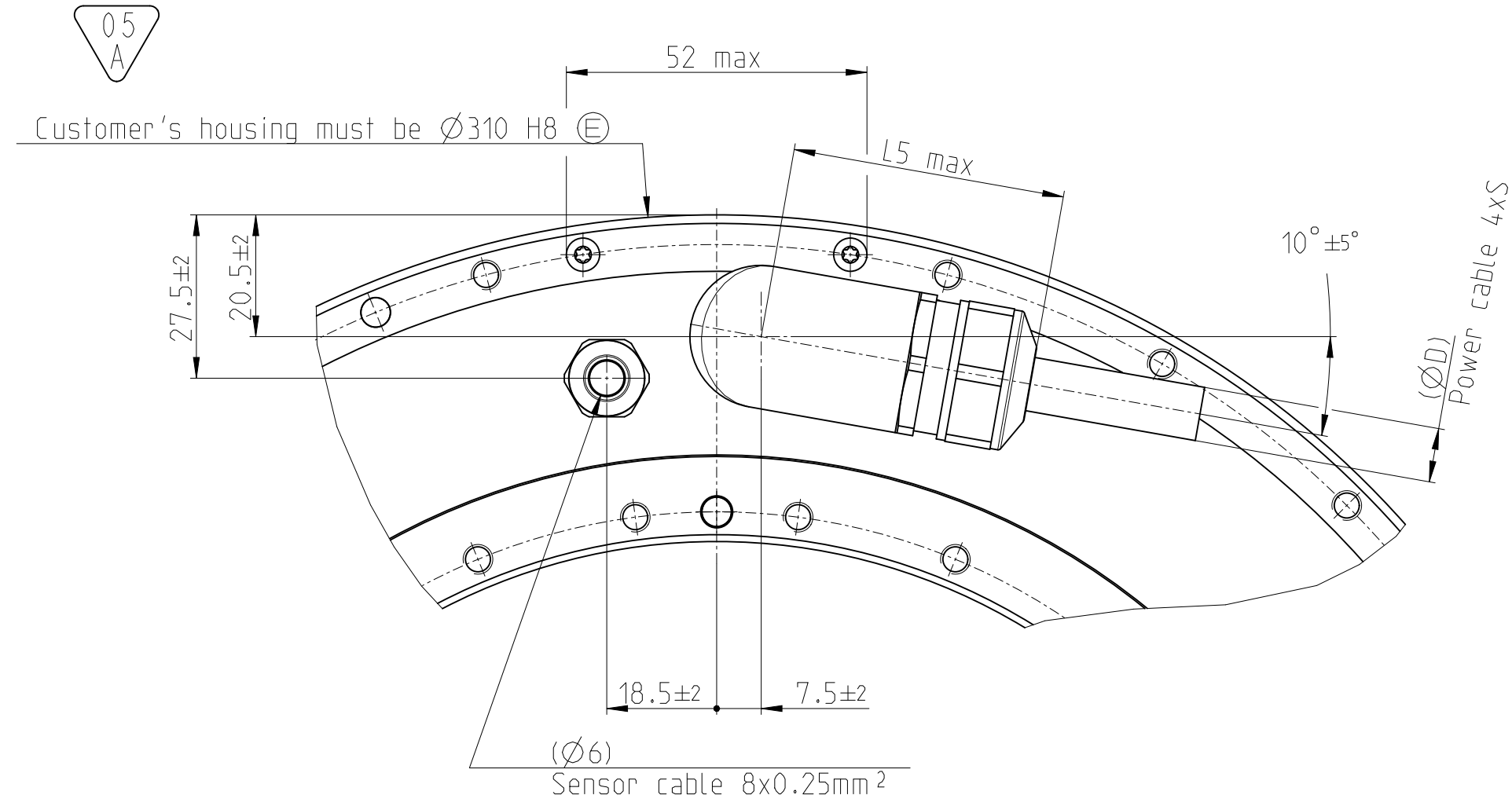


Designation	L1	L2	L3	L4	N1	N2	N3	N4	B1	B2
TMB+0291-030	80	55	10	31						
TMB+0291-050	100	75		51	12	12	12	12	30°	30°
TMB+0291-070	120	95		71						
TMB+0291-100	150	125	15	101						
TMB+0291-150	200	175		151	24	23	24	24	15°	15°
TMB+0291-200	250	225		202			48	47		7.5°

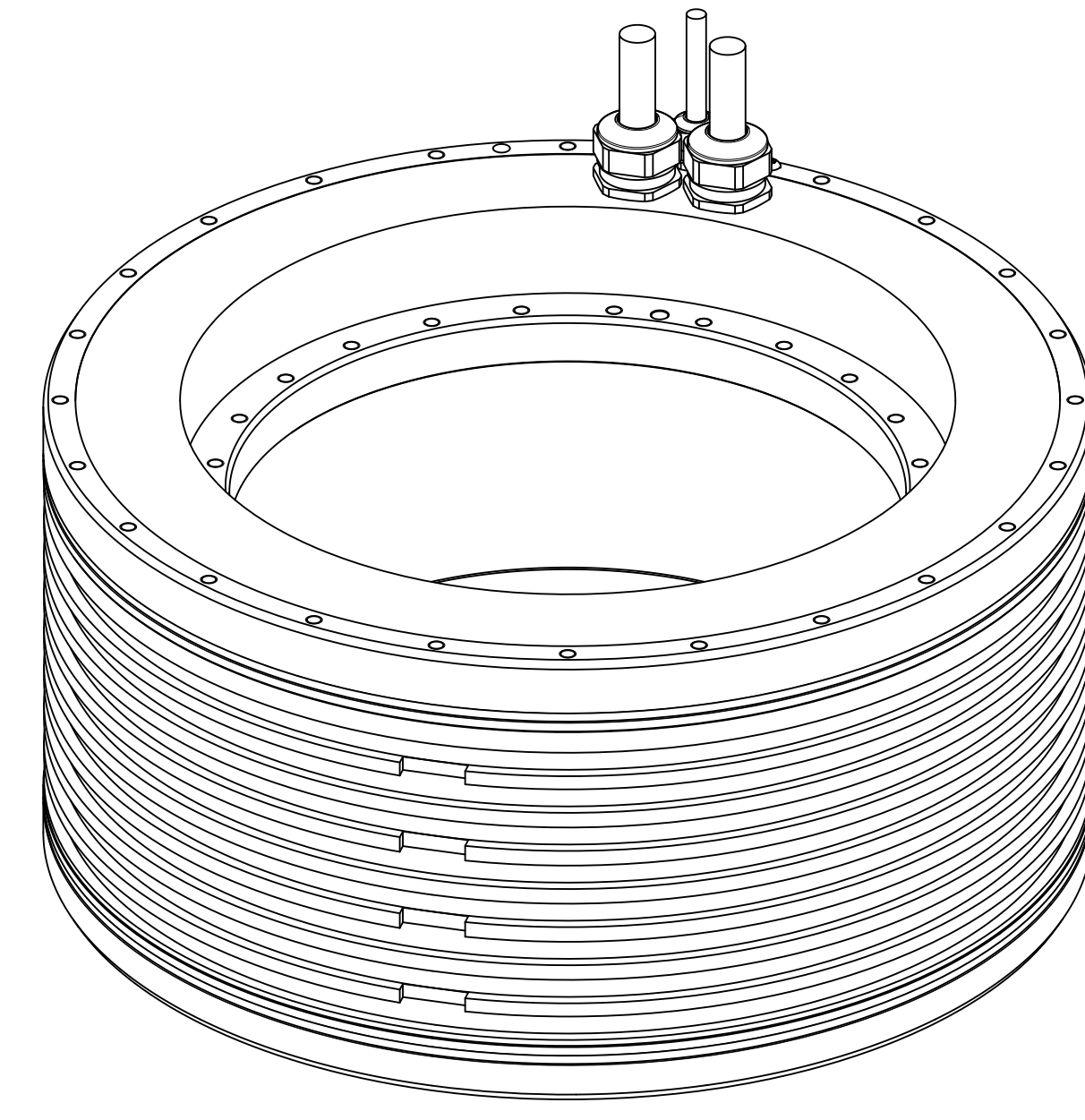
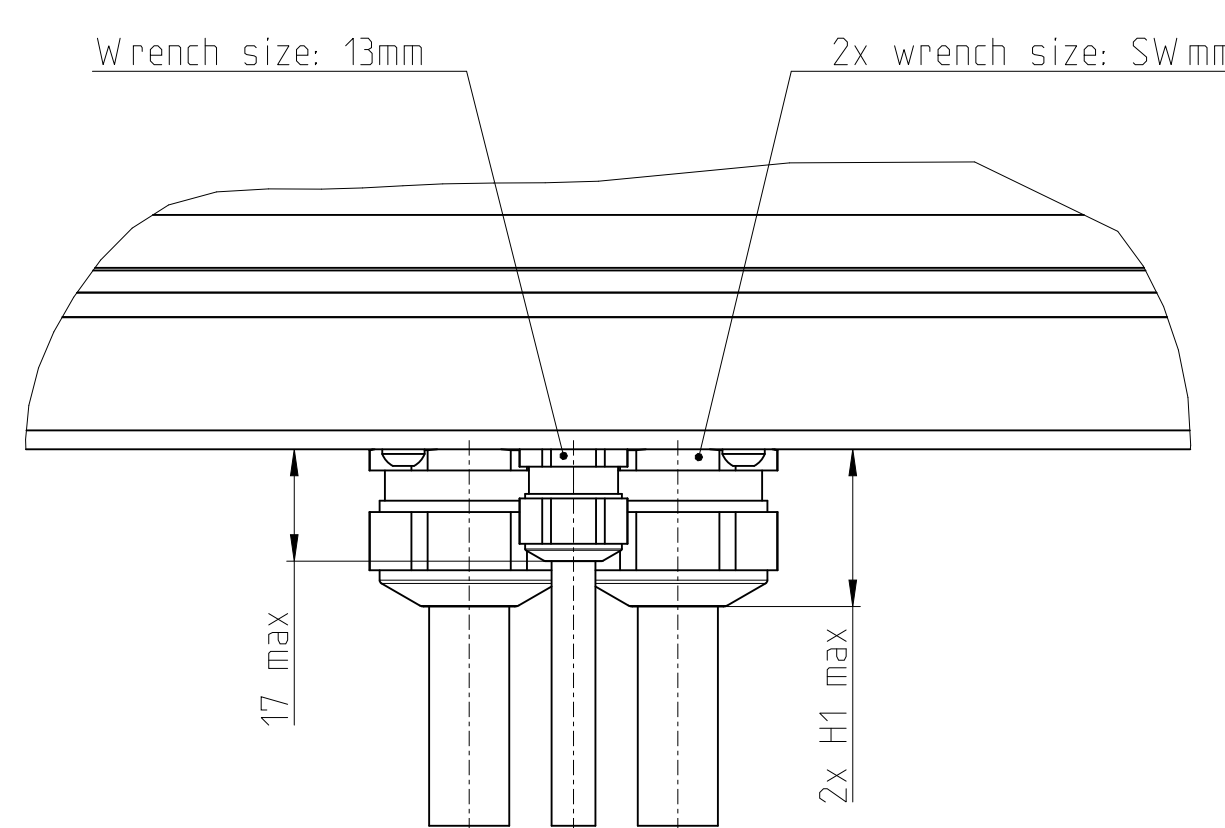
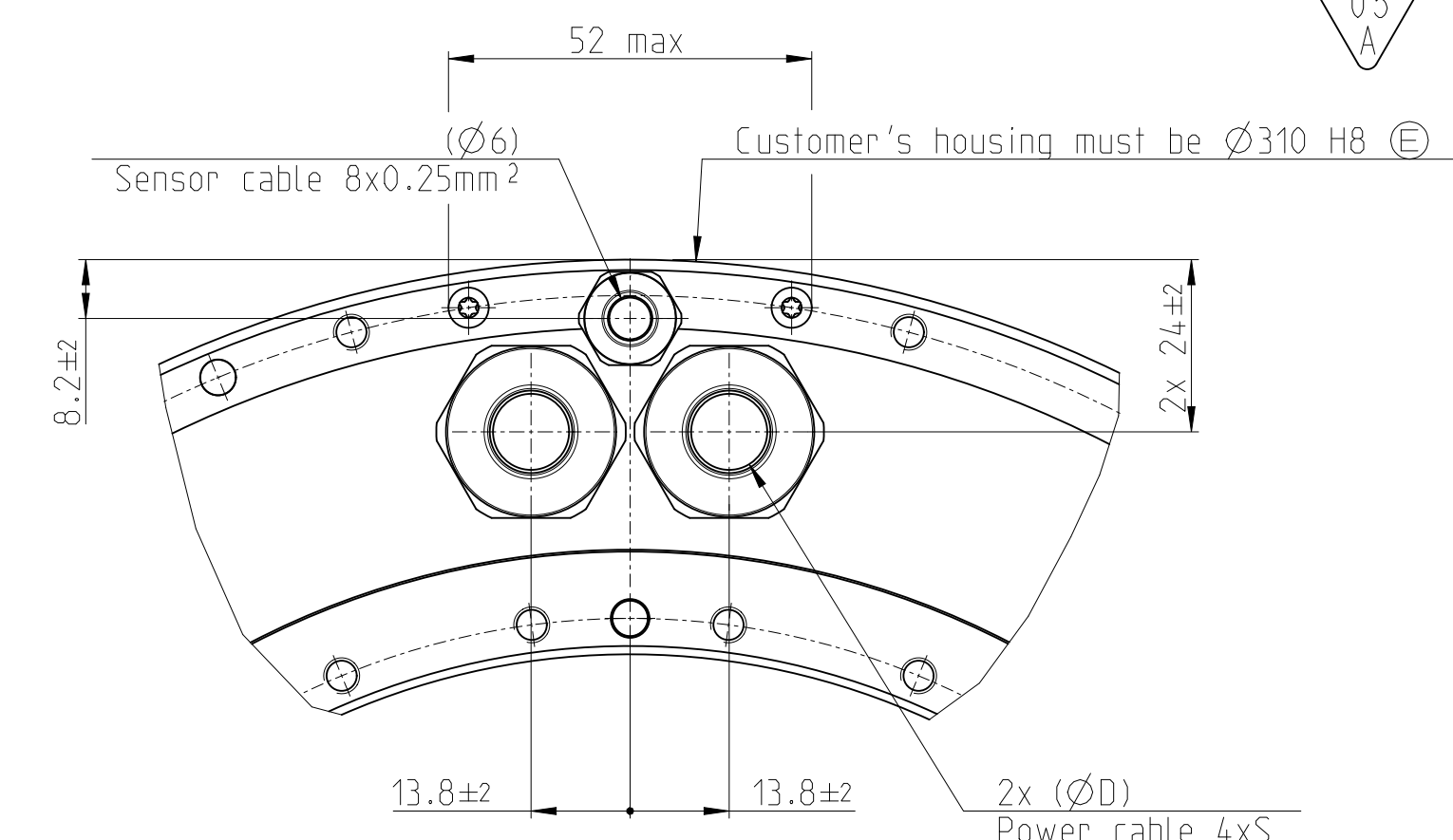
Type 1



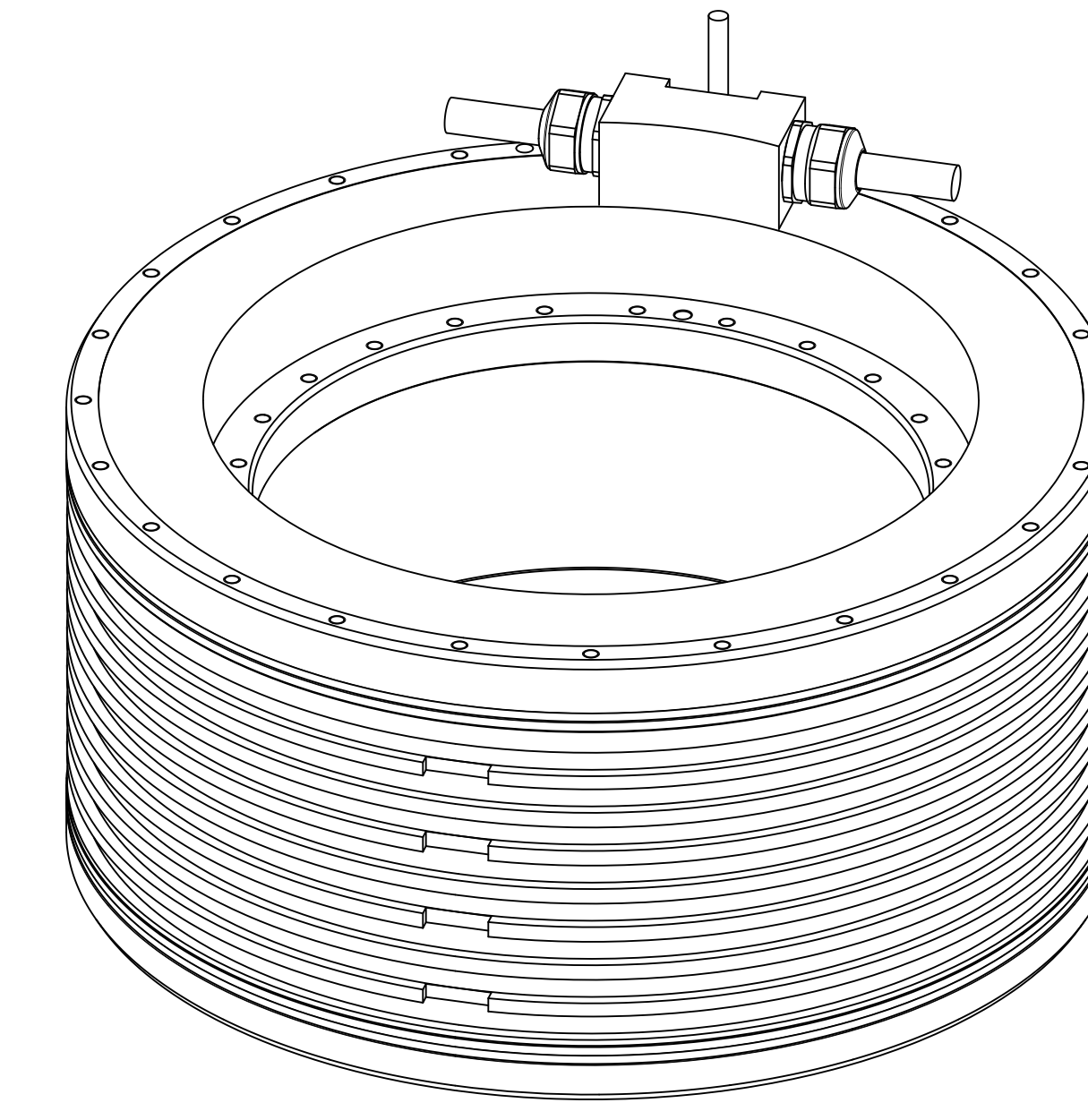
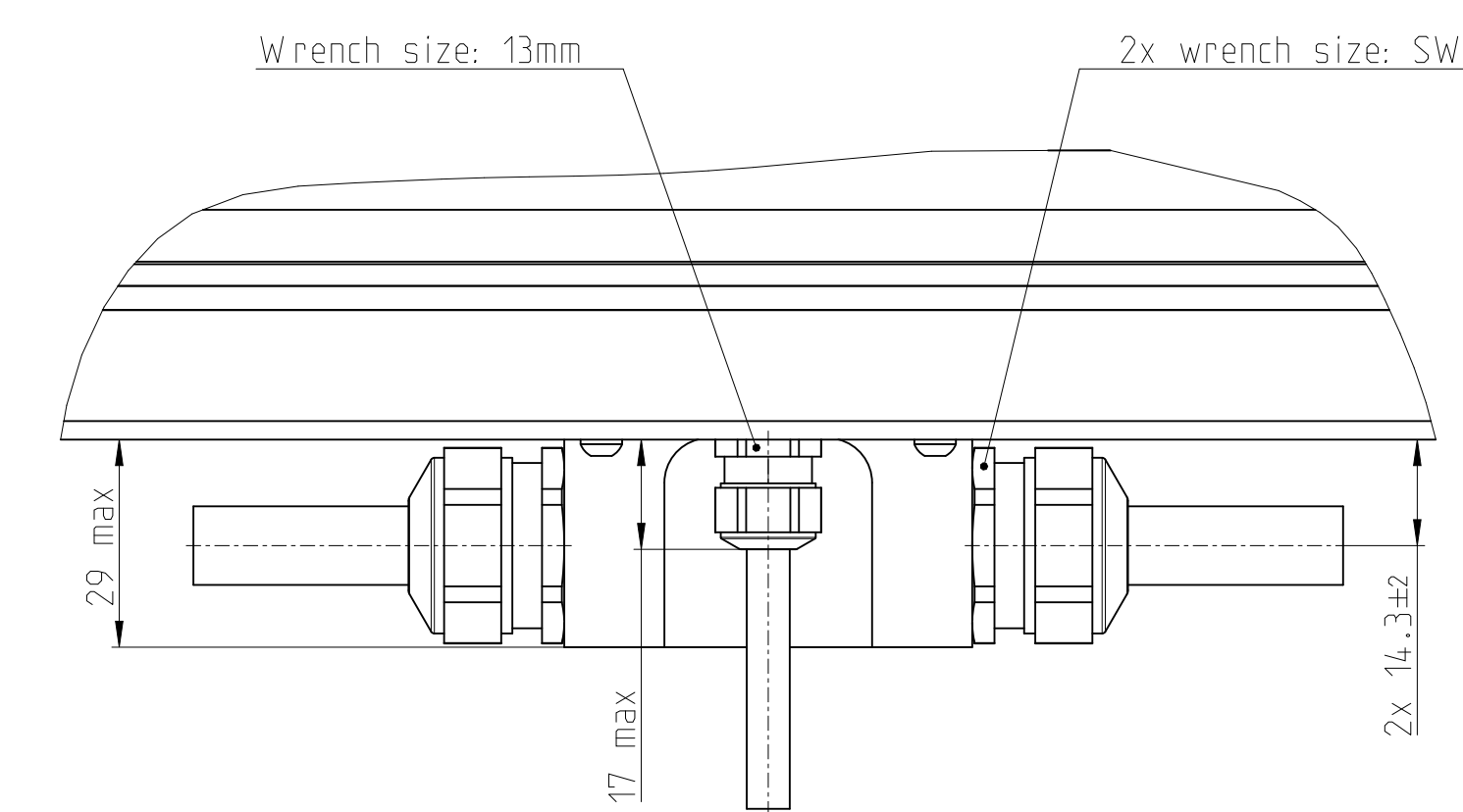
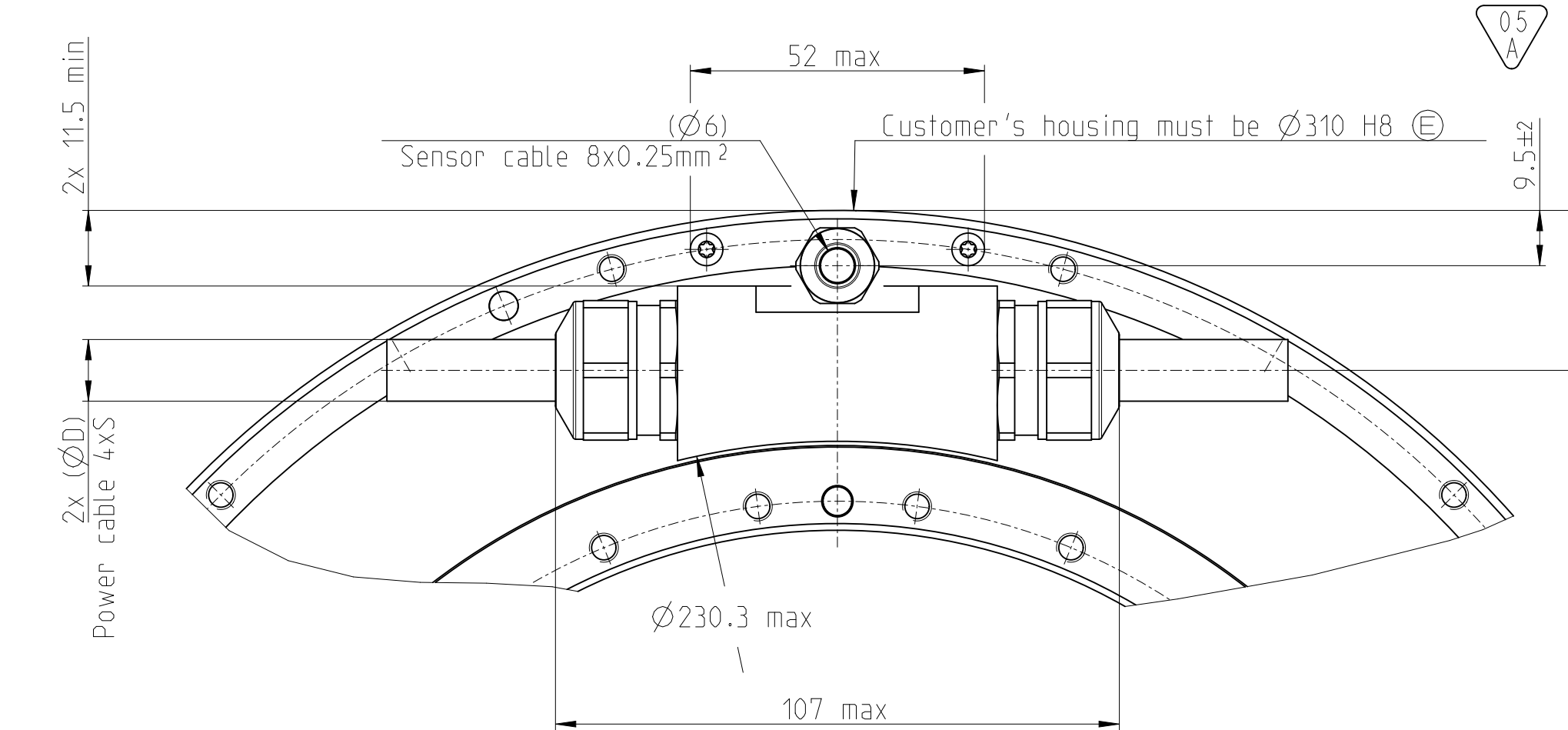
Type 2



Type 3

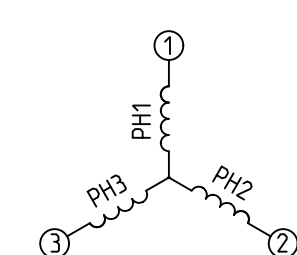


Type 4

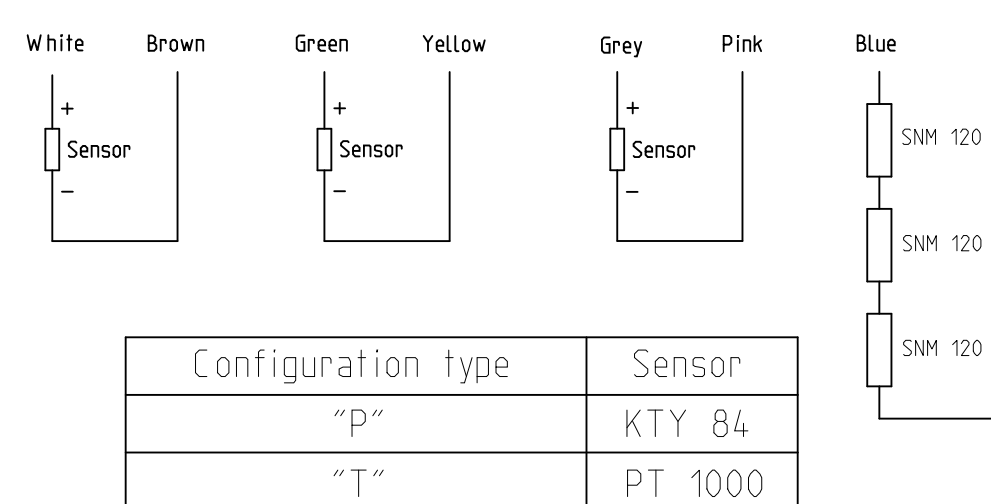


Power cable connection

Phase 1 = wire 1
Phase 2 = wire 2
Phase 3 = wire 3
PE = yellow/green wire



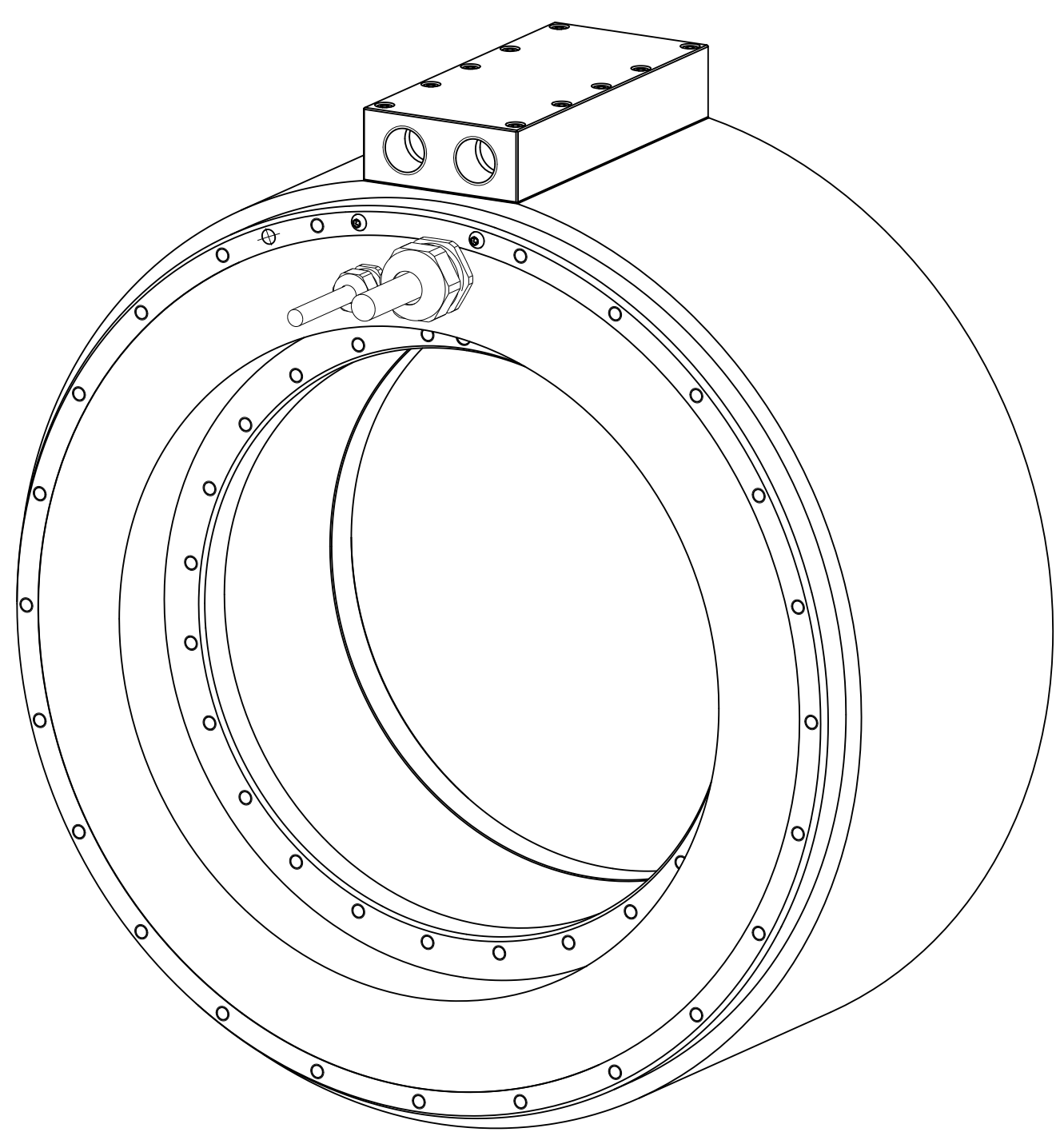
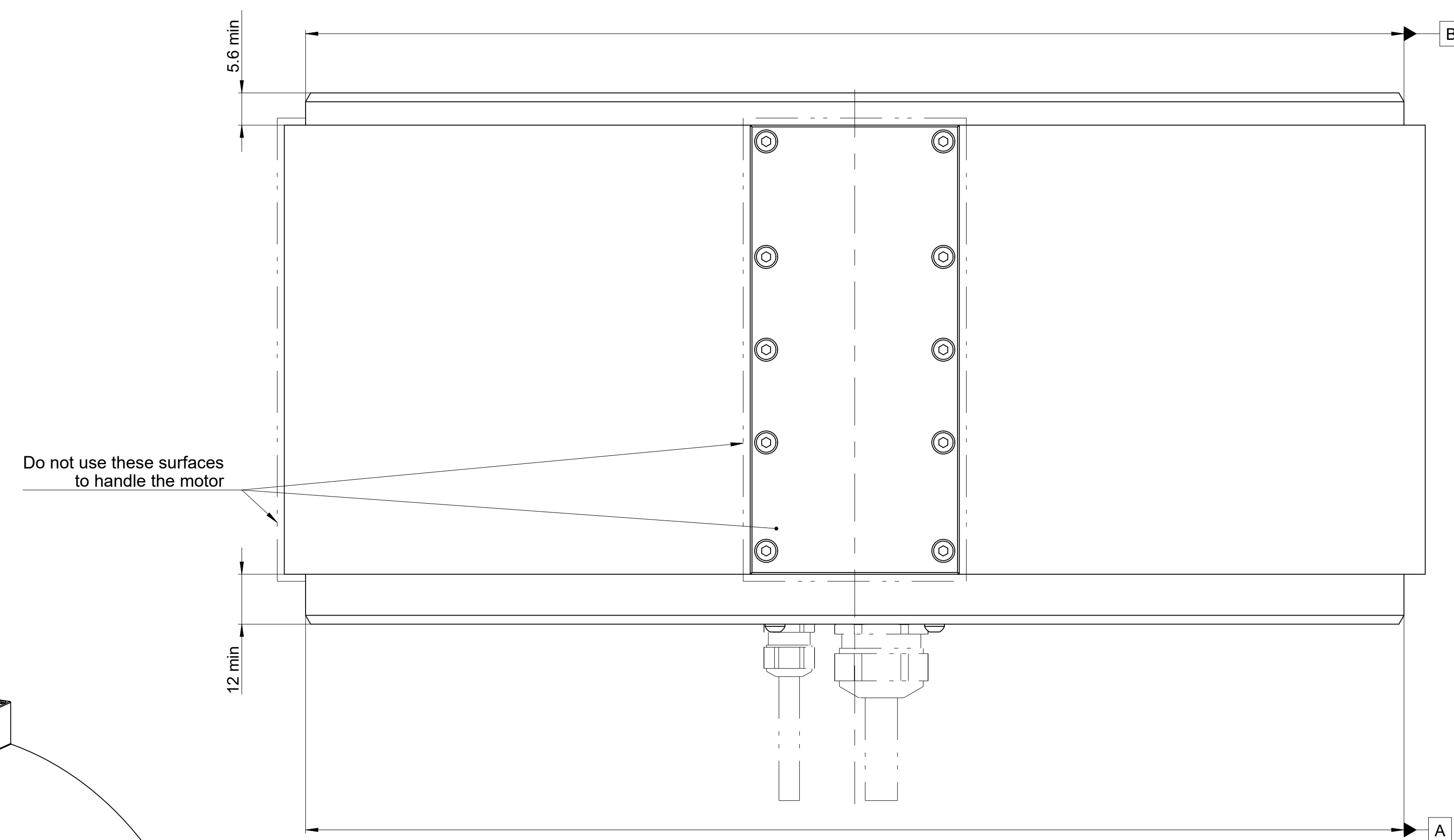
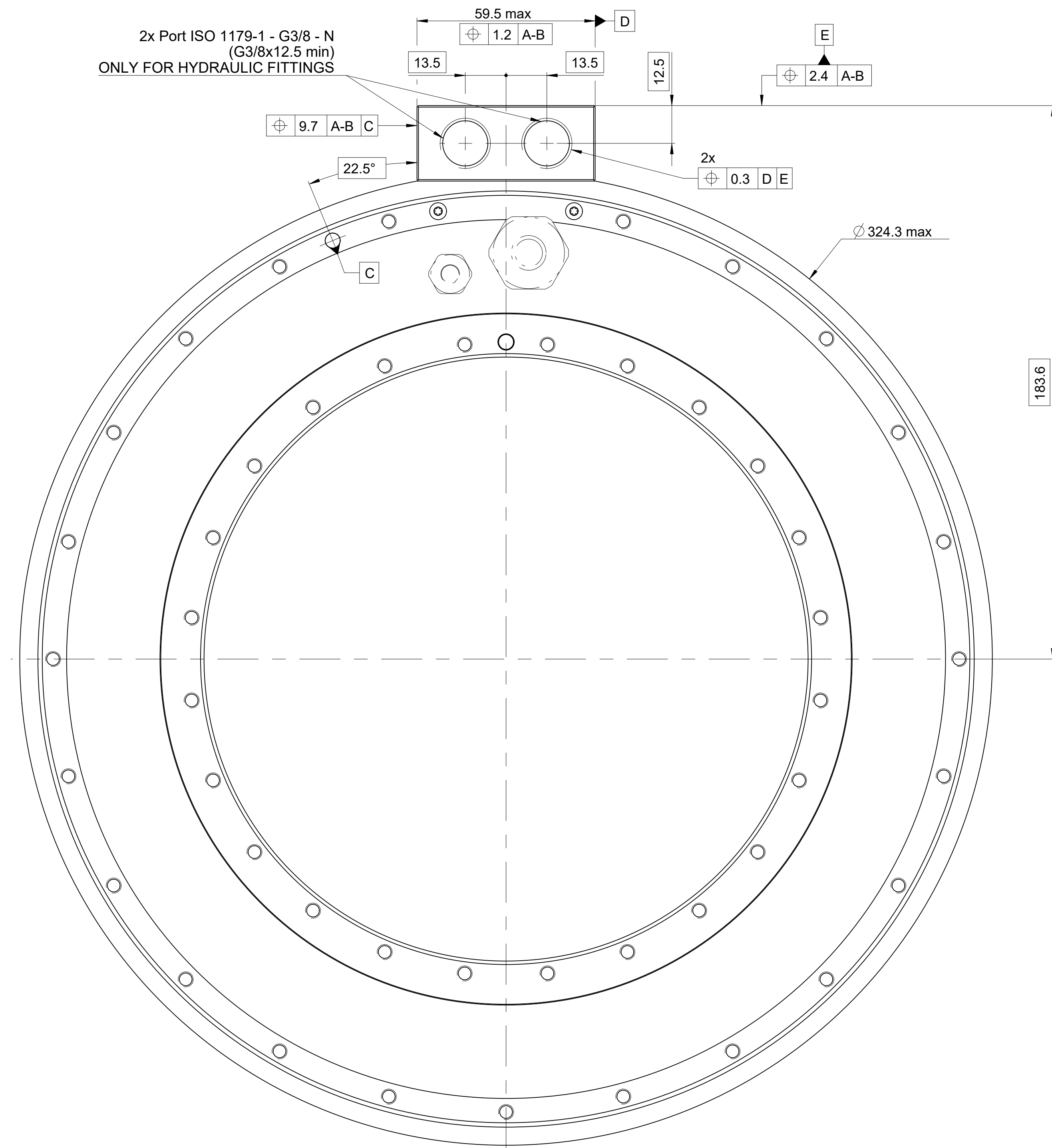
Sensor cable connection: "P" or "T" configuration



Motor family	0140	0210	0290
	0175		0360
Connection	0291		0450
			0530
			0760
			0990
			1221
White - Brown	Phase 1	Phase 3	Phase 2
Green - Yellow	Phase 3	Phase 2	Phase 1
Grey - Pink	Phase 2	Phase 1	Phase 3

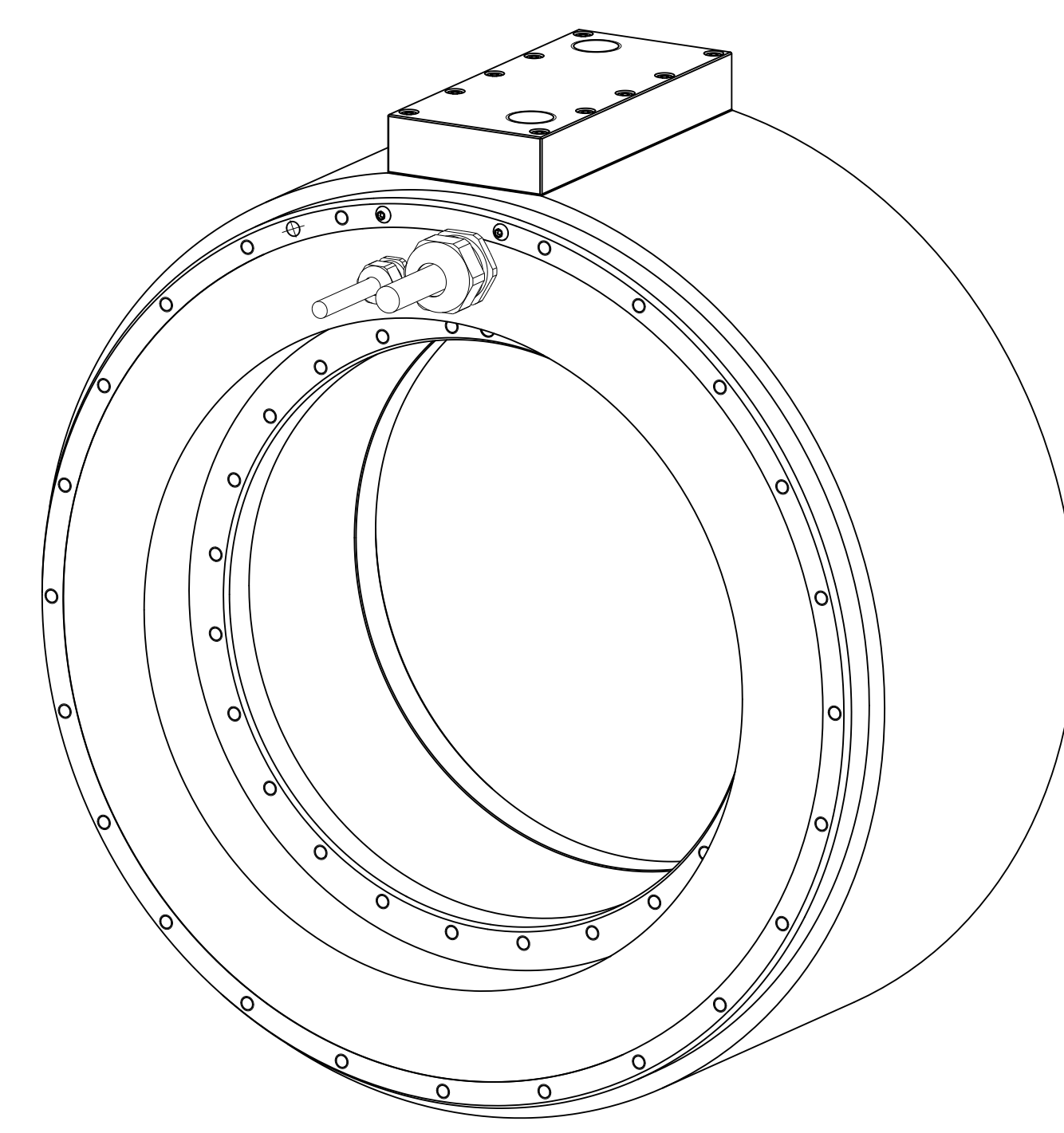
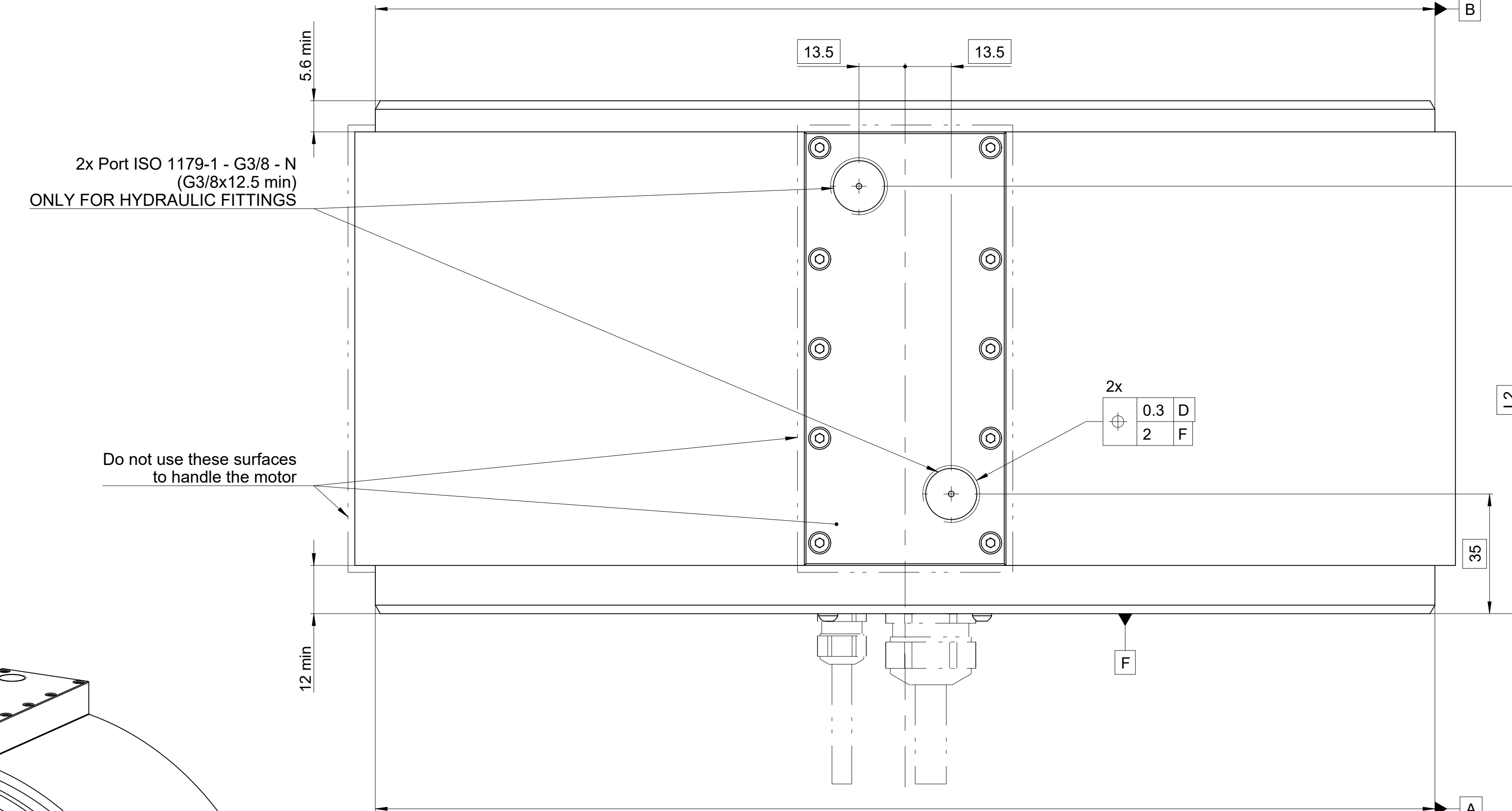
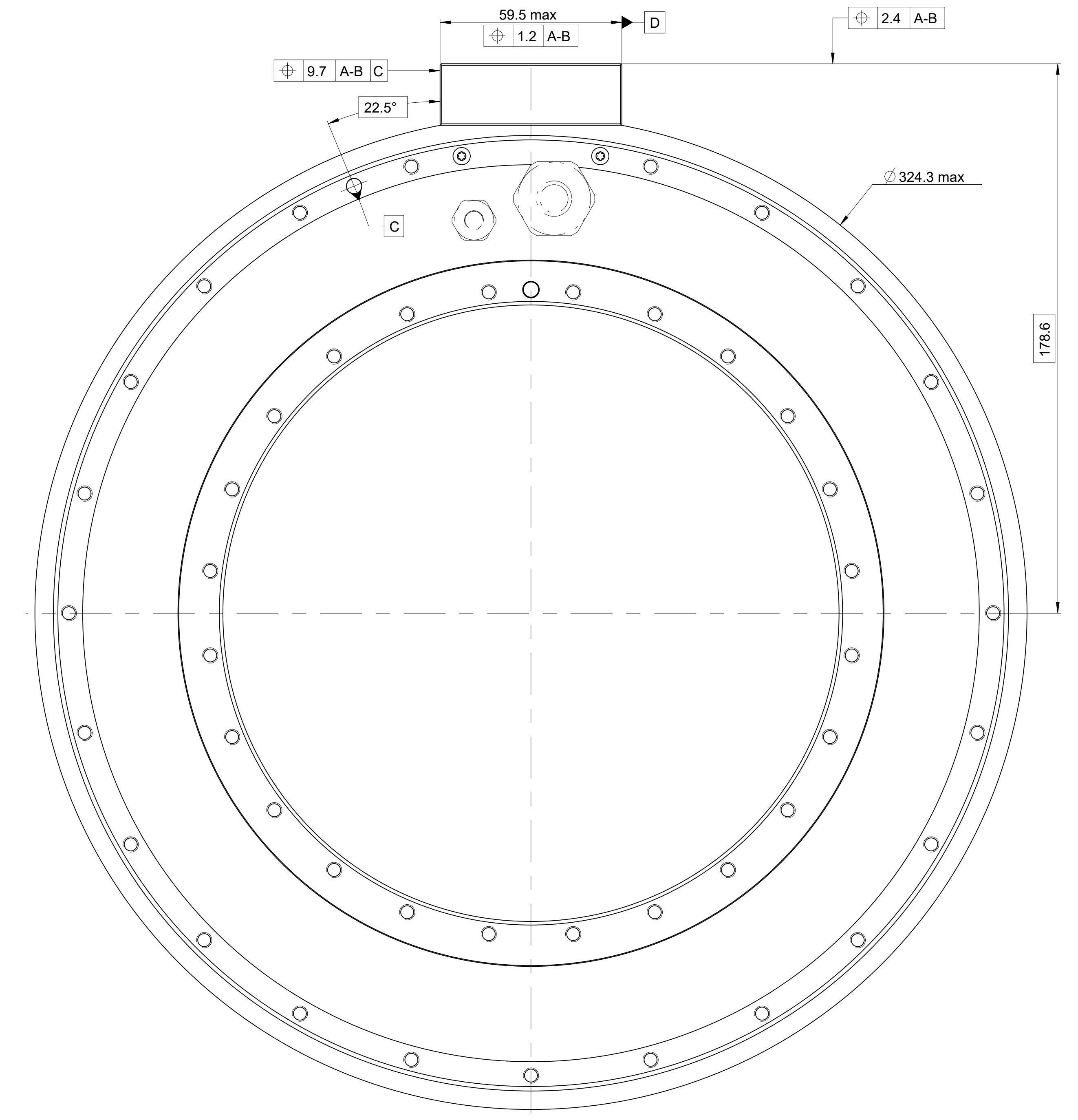
Designation	Output type	S=Wire section [mm²]	L5 [mm]	H1 [mm]	D [mm]	SW [mm]	Bending radius [mm]
TMB+0291-###-SA#S#	Type 1	1.5	-	26.1	9.1	24	Static bending radius for: - sensor cable = 30 - power cable = 4x ØD
TMB+0291-###-SA#E#	Type 2		51.5	34.5			
TMB+0291-###-SB#S#	Type 1		-	26.1			
TMB+0291-###-SB#E#	Type 2	51.5	34.5				
TMB+0291-###-UA#S#	Type 1	2.5	-	26.1	10.6	24	
TMB+0291-###-UA#E#	Type 2		51.5	34.5			
TMB+0291-###-UB#S#	Type 1		-	26.1			
TMB+0291-###-UB#E#	Type 2	51.5	34.5				
TMB+0291-###-UD#S#	Type 3	4	-	26.1	11.9	24	
TMB+0291-###-UD#E#	Type 4		-	-			
TMB+0291-###-SD#S#	Type 1		-	28.1			
TMB+0291-###-SD#E#	Type 2	53.5	34.5				

TMB+0291-###-#####-A#-AA0
 (Annex to interface drawing 1176370: please check for motor and cable output information)



1:2

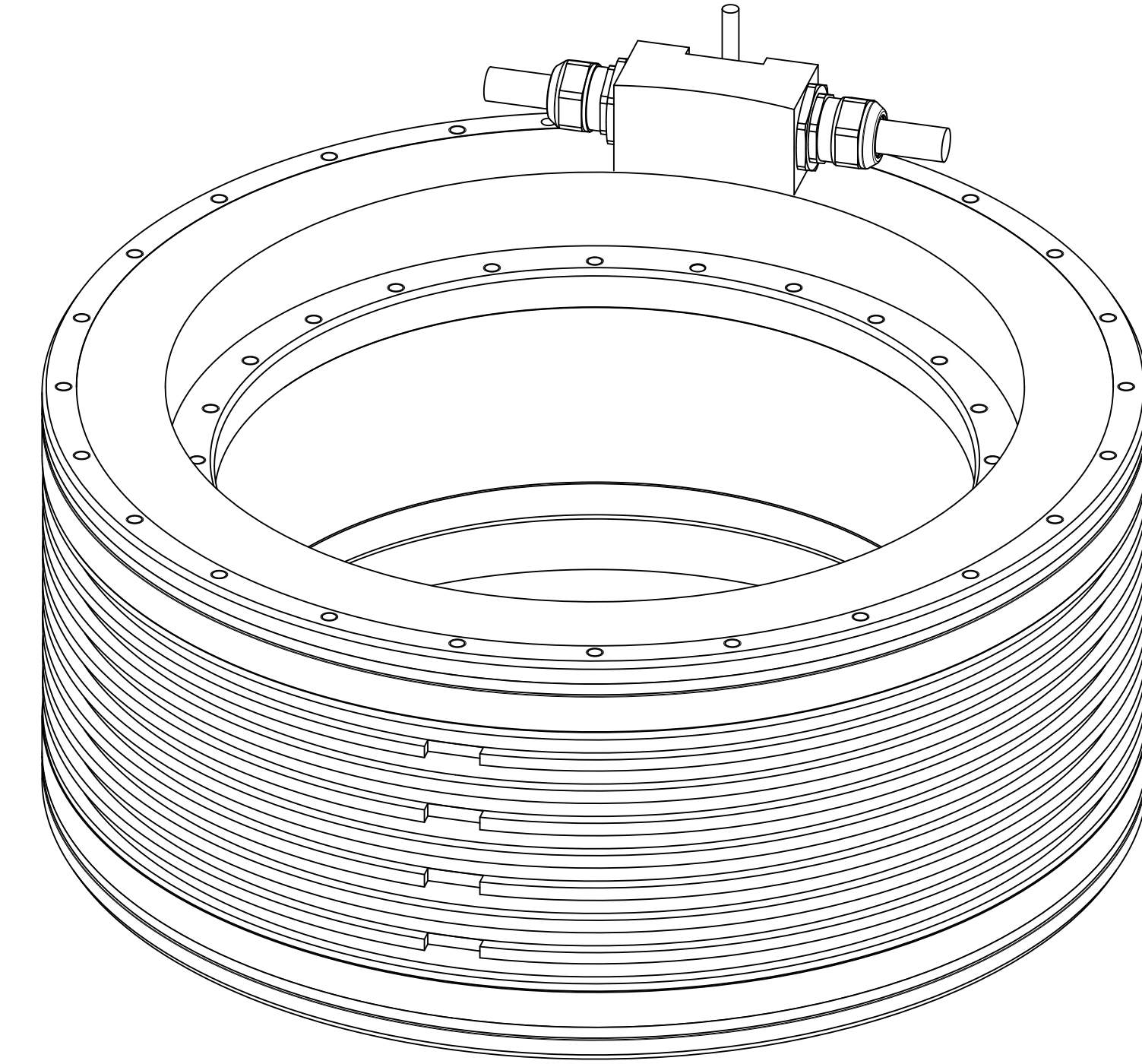
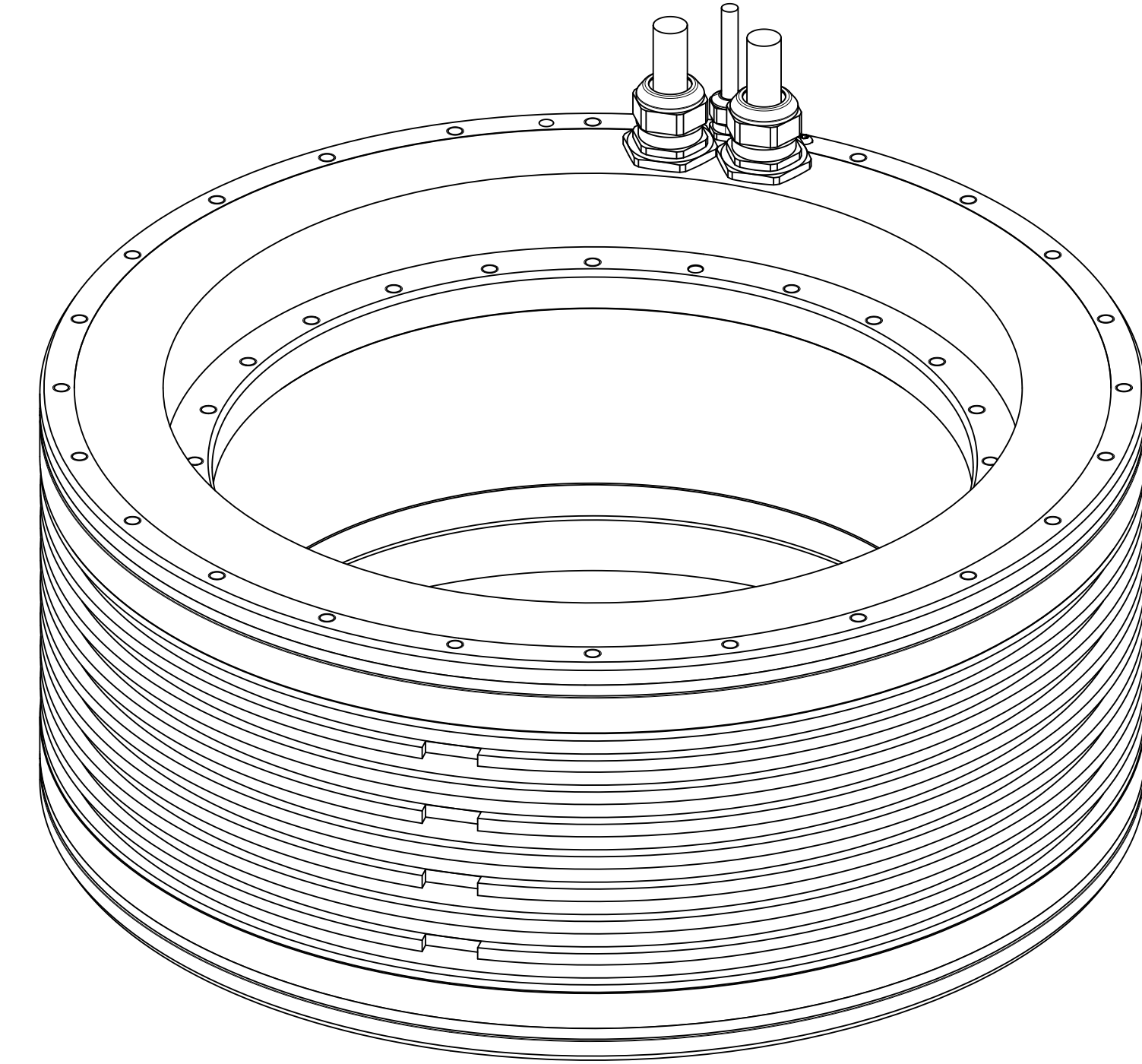
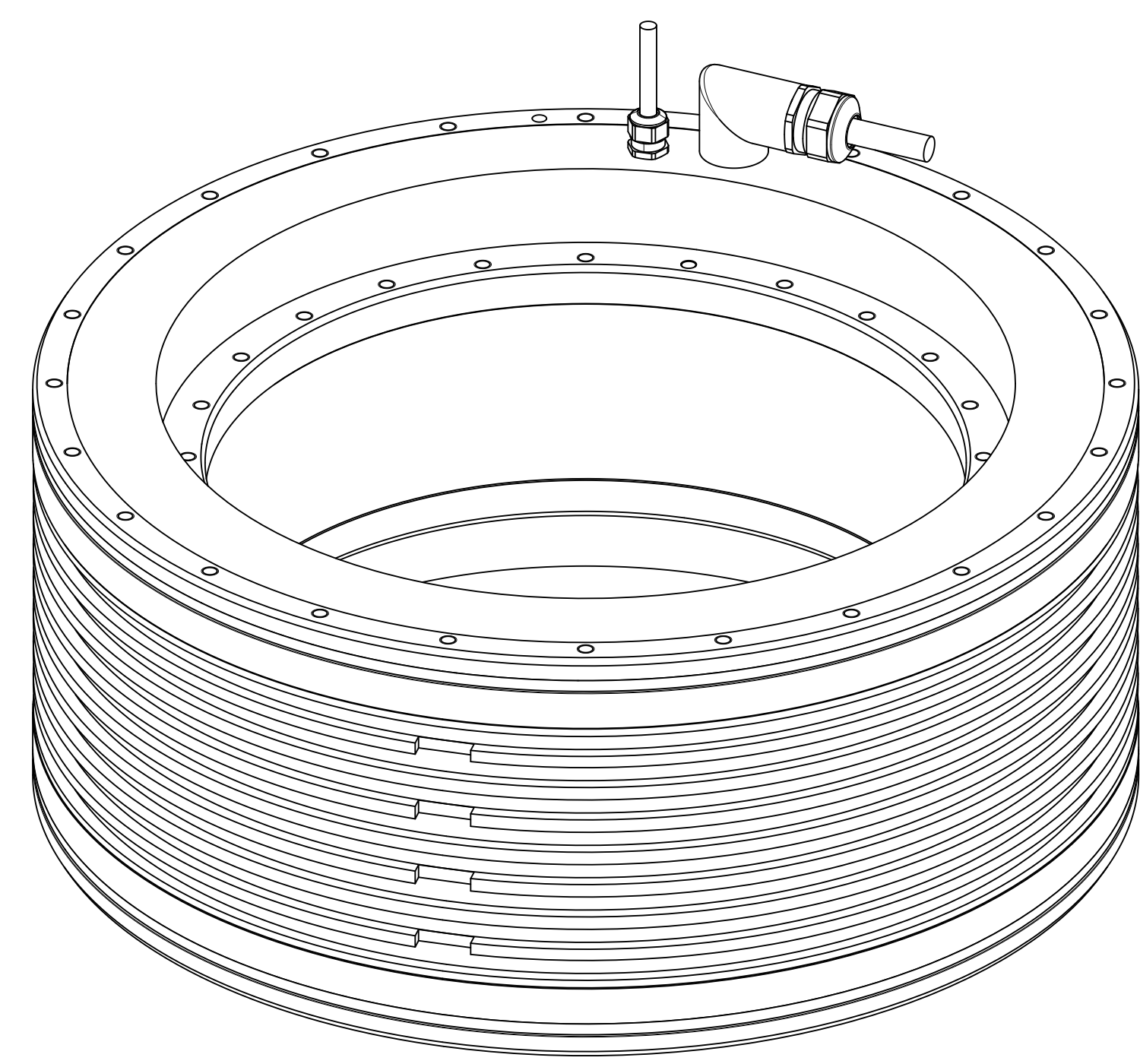
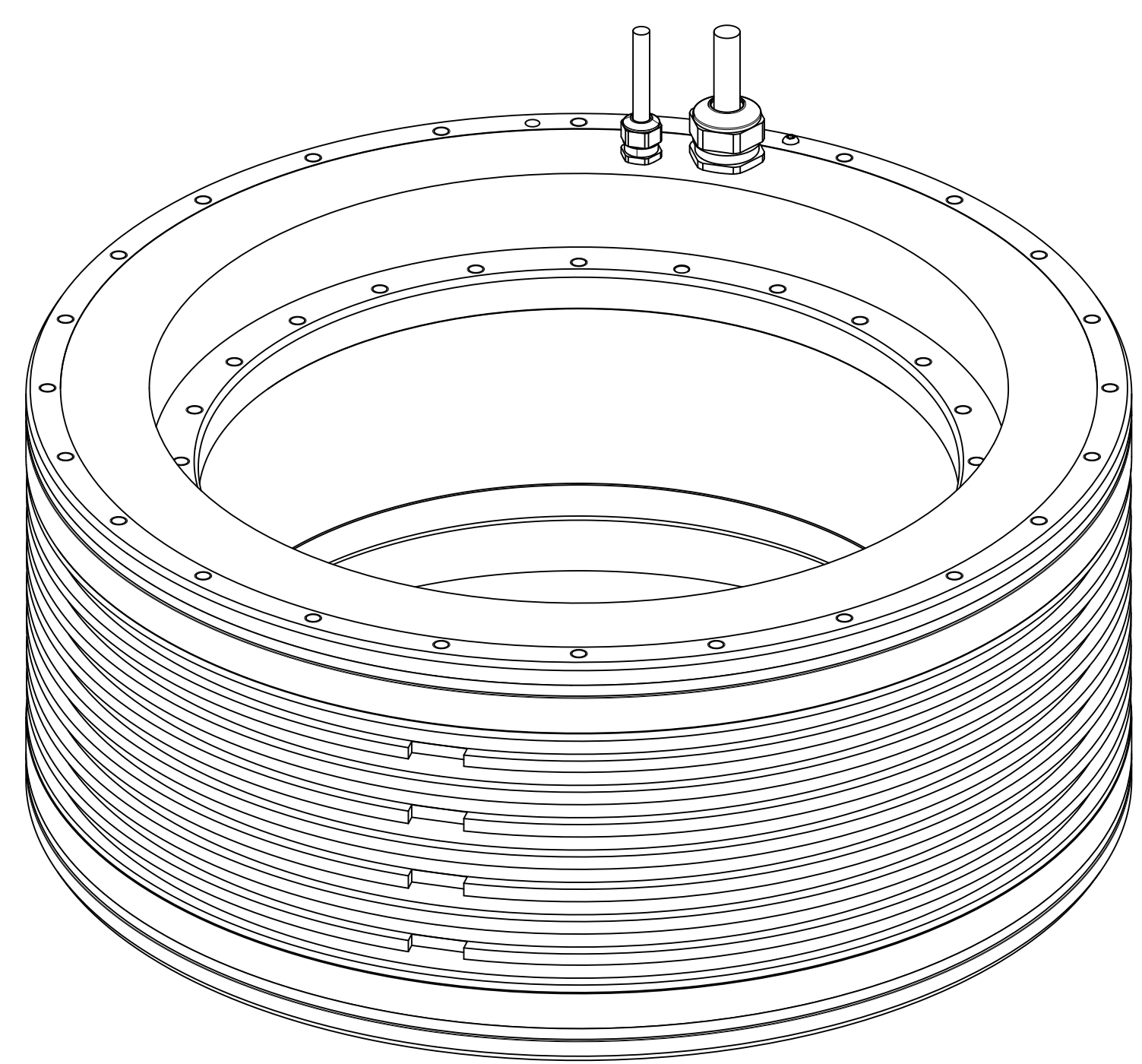
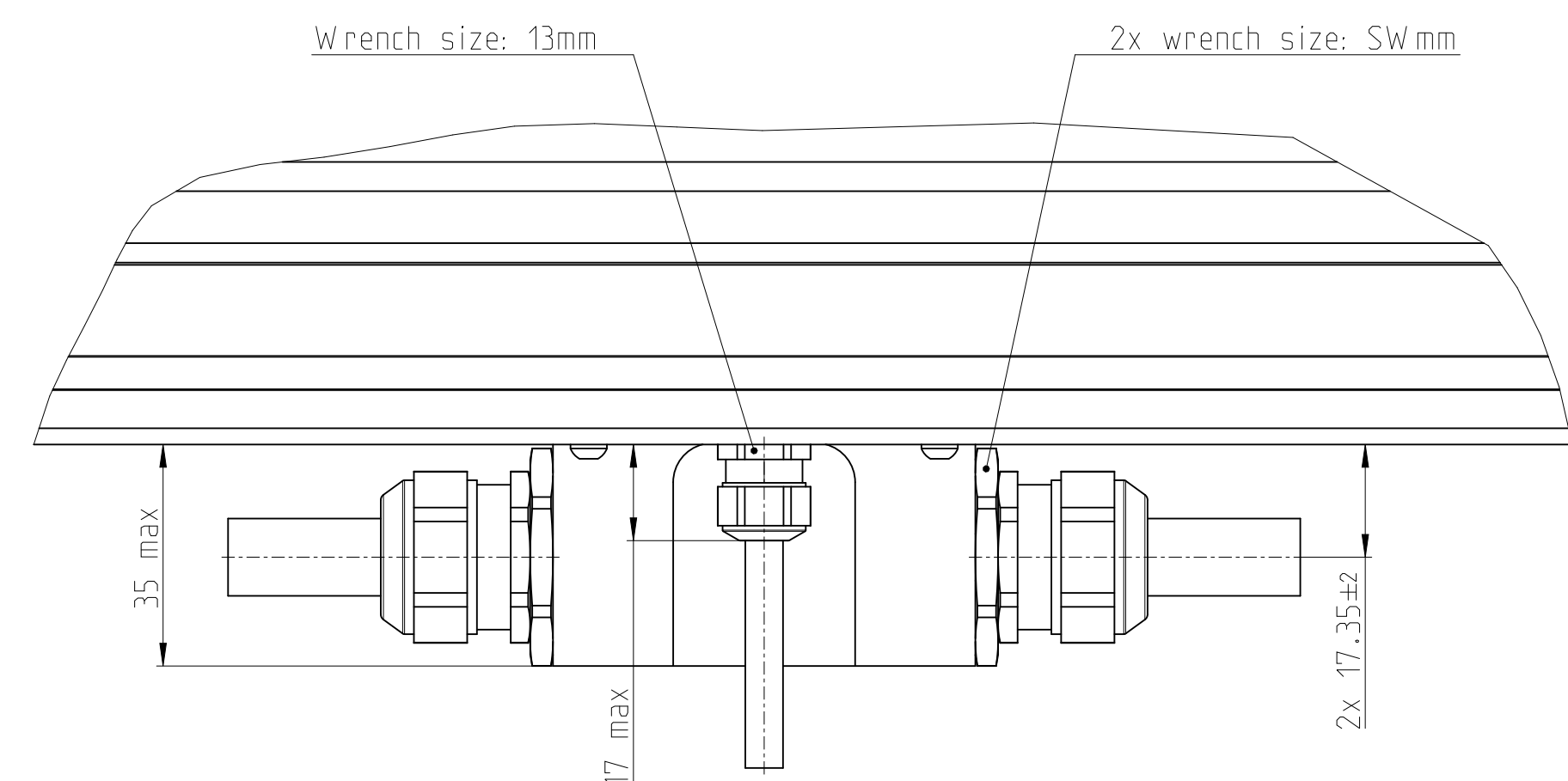
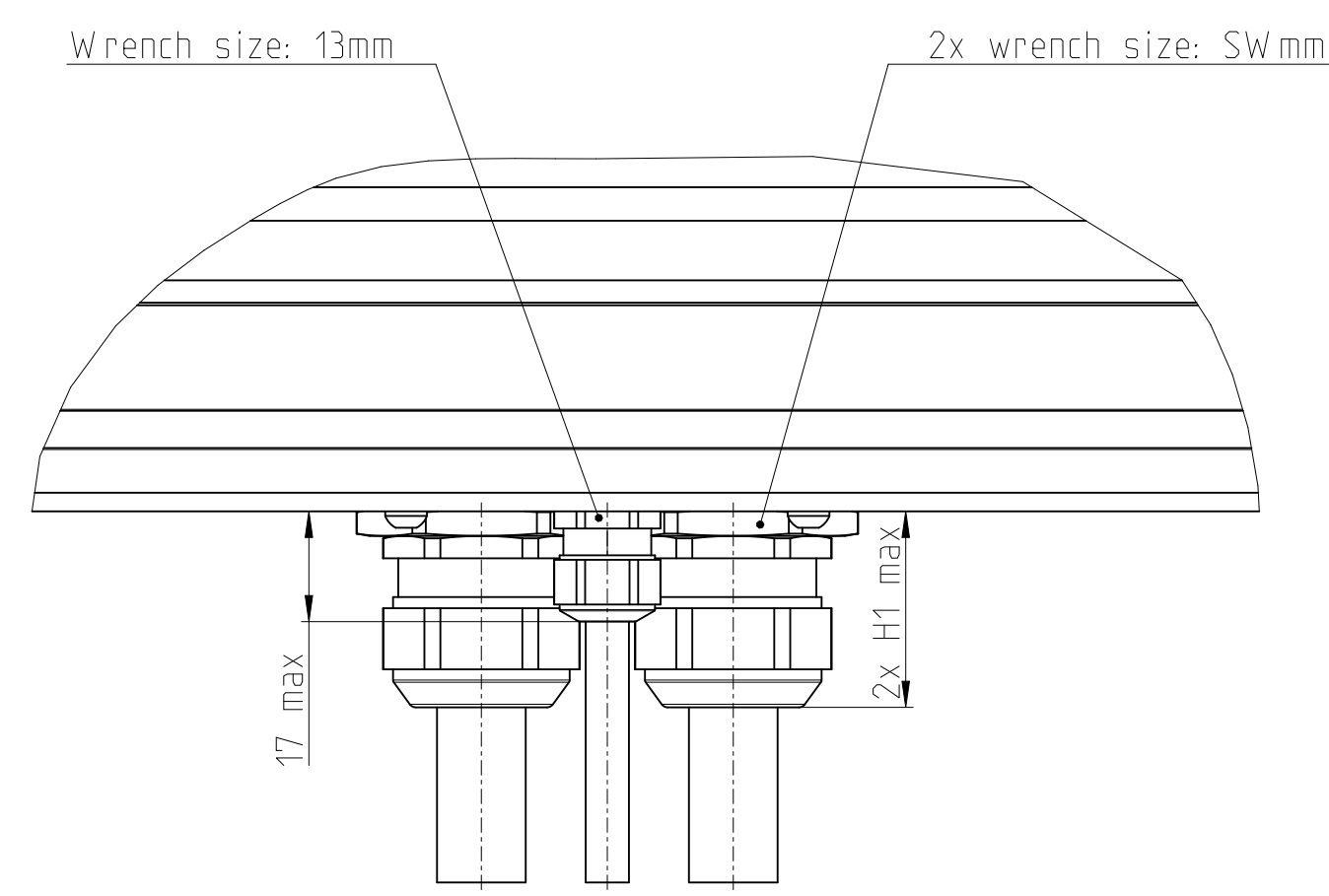
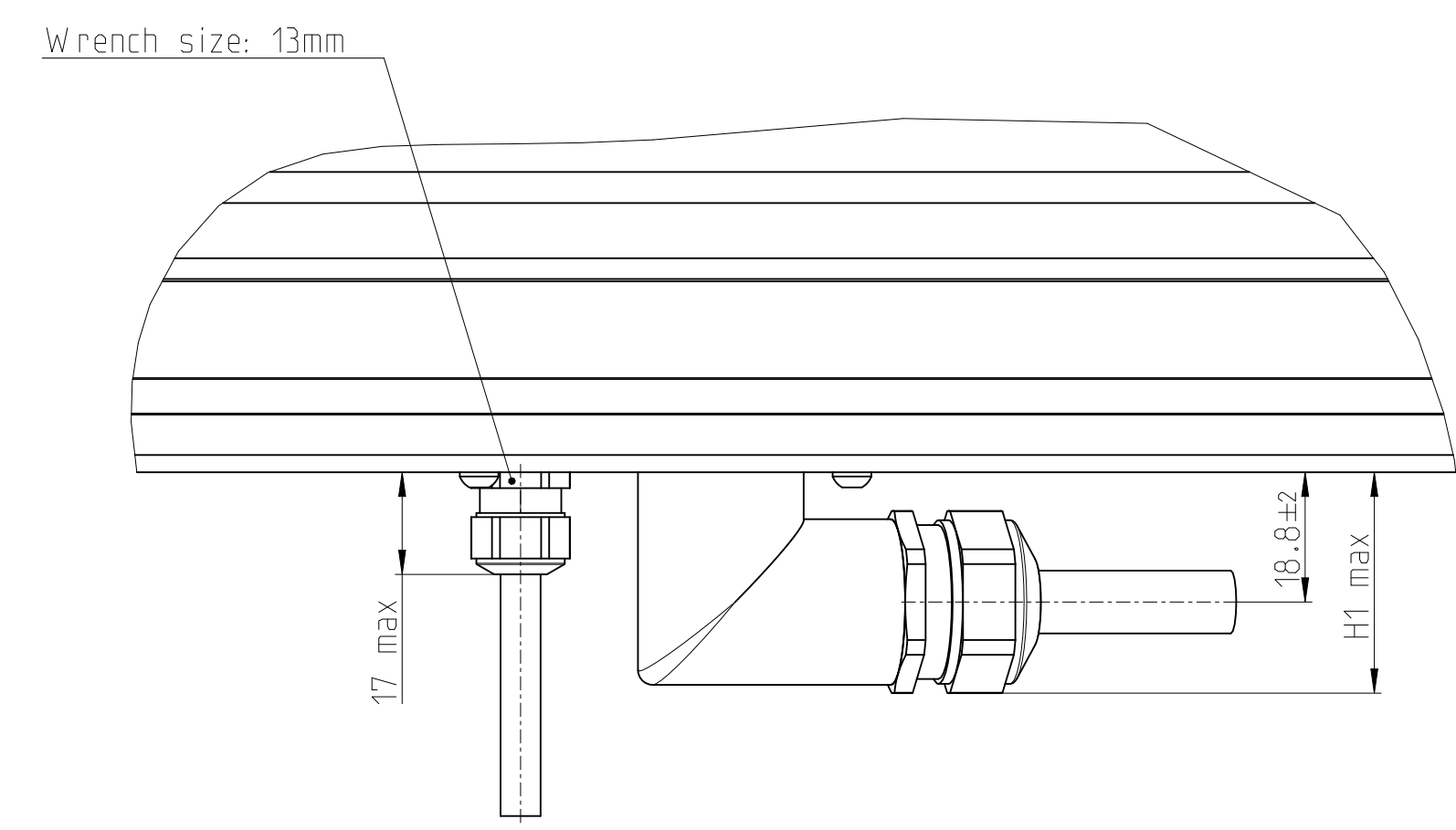
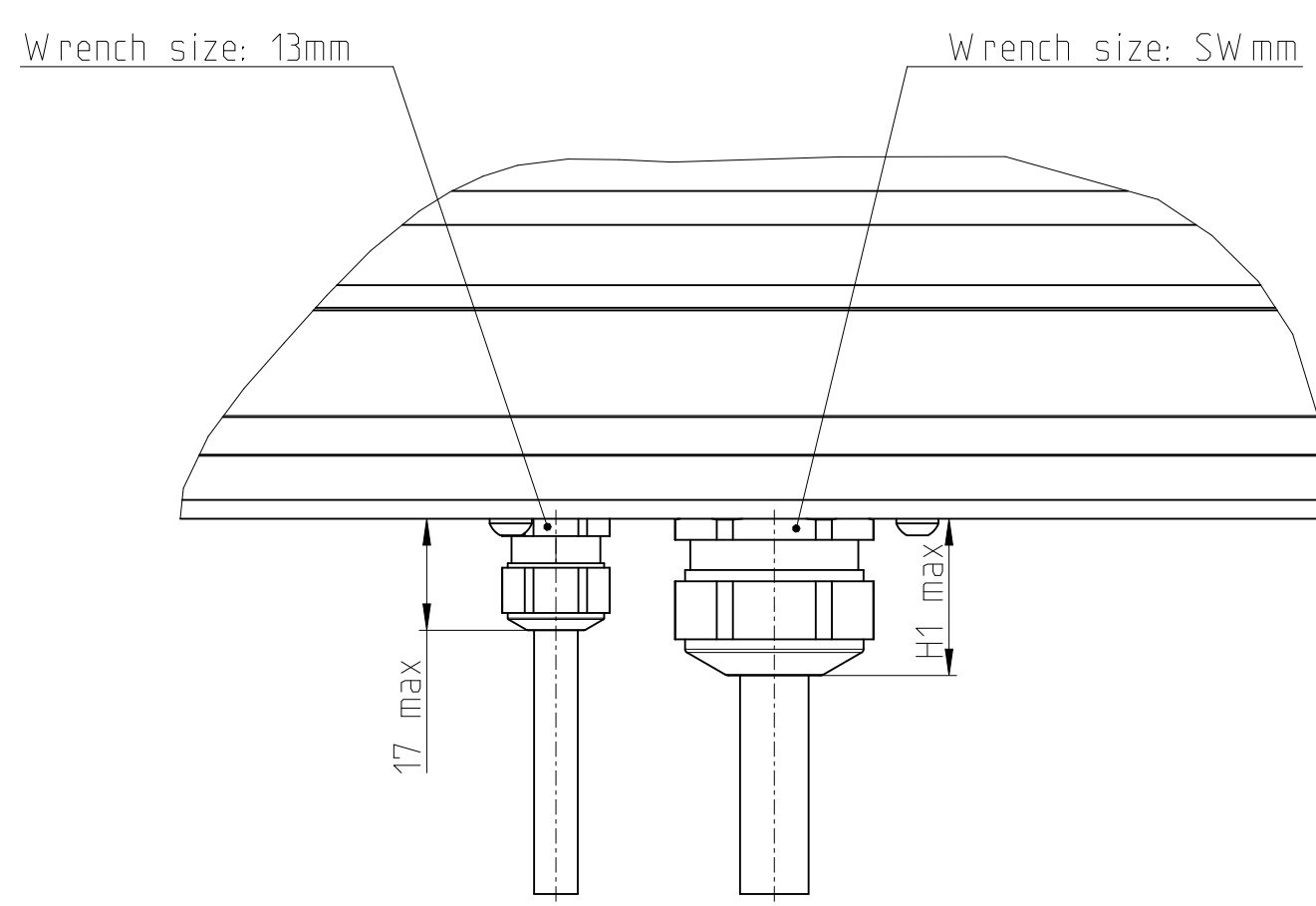
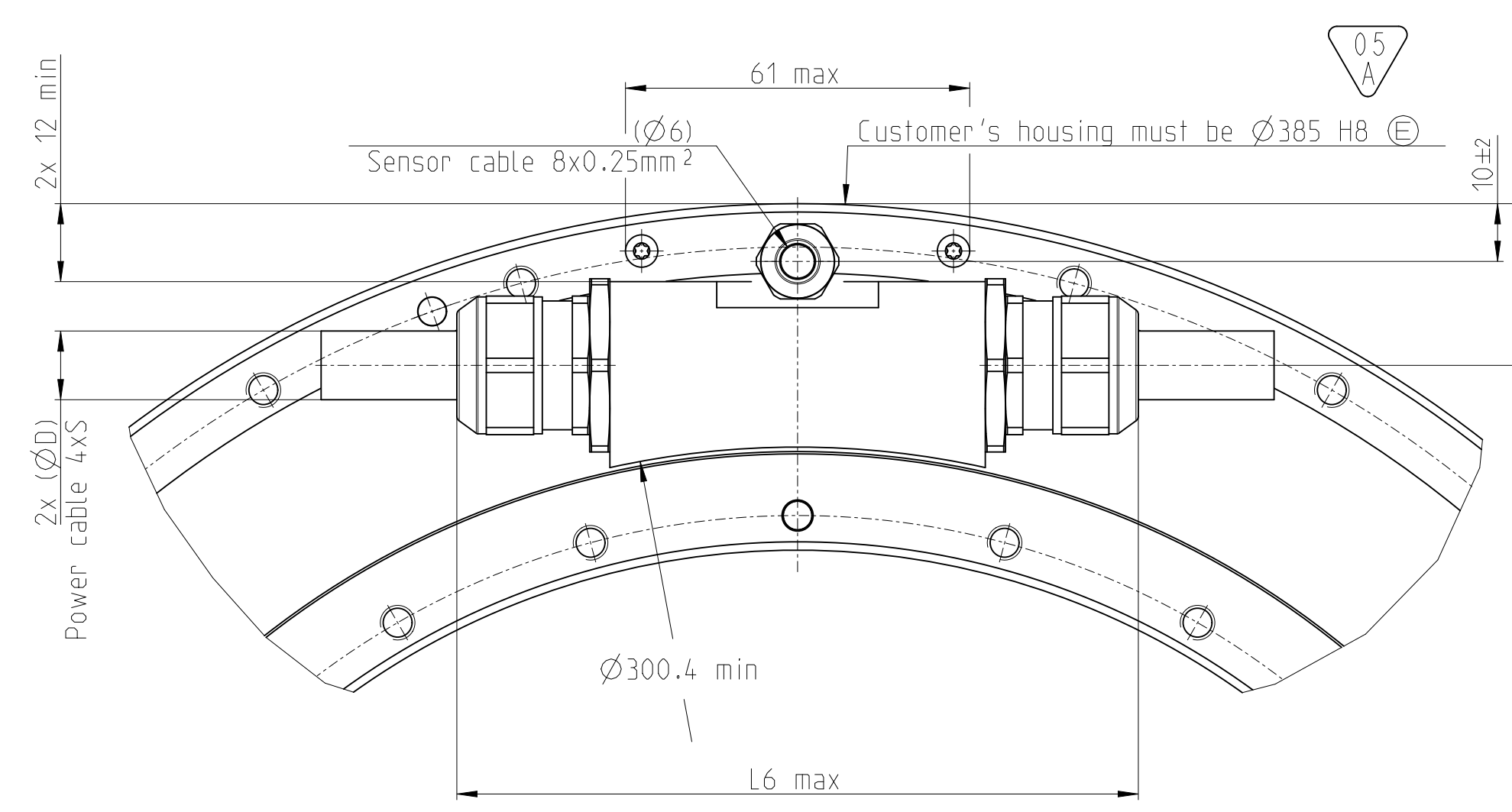
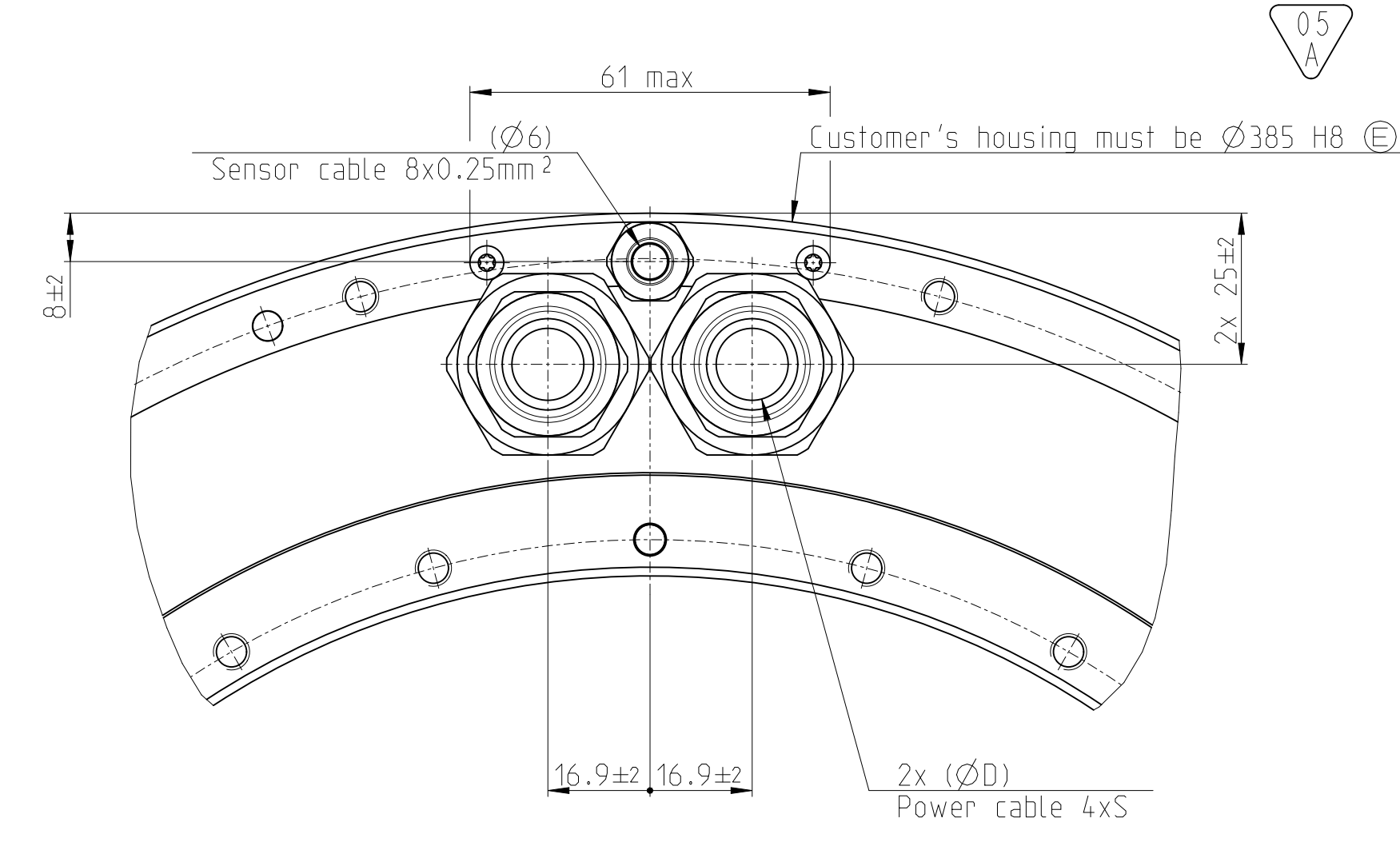
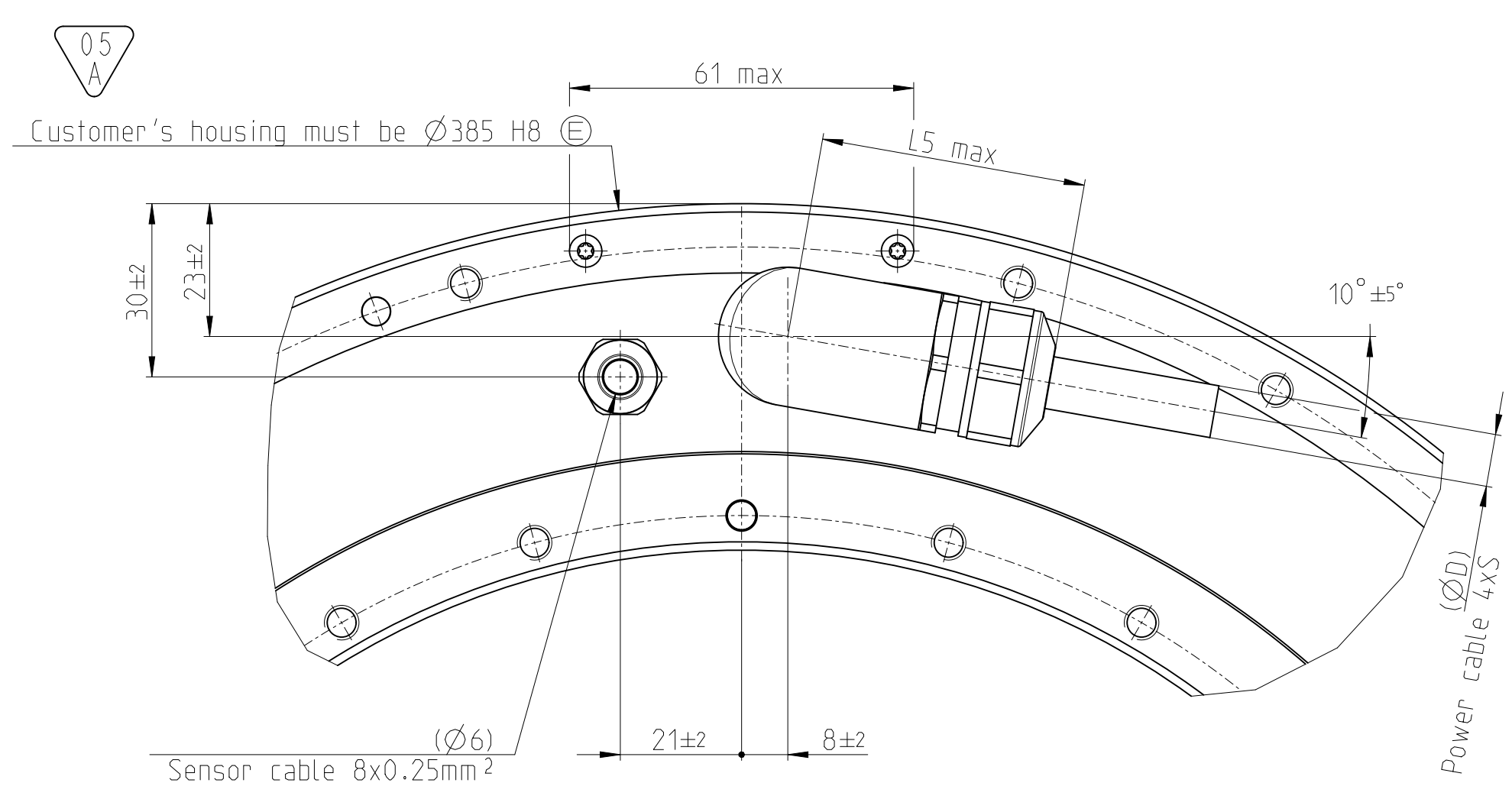
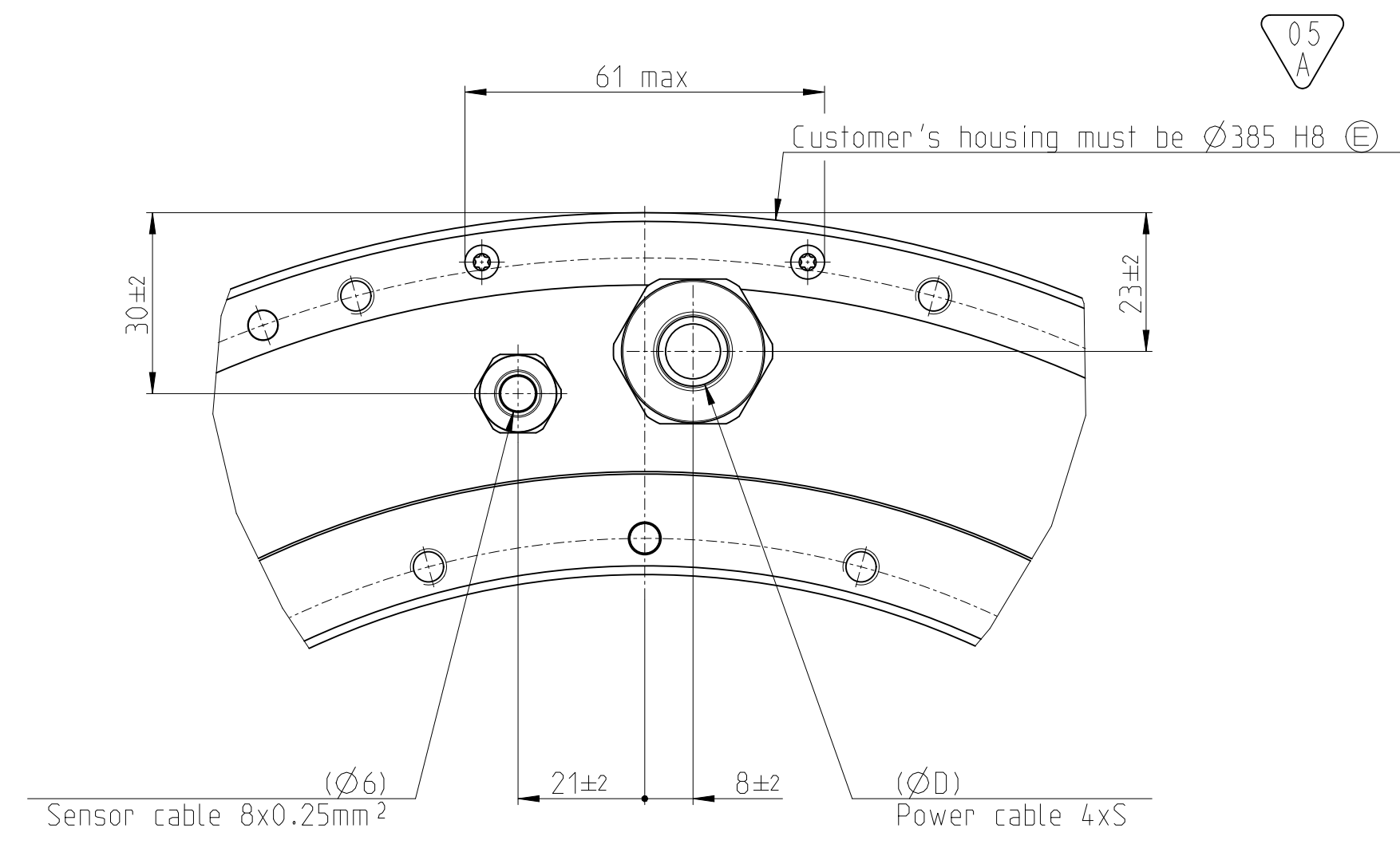
TMB+0291-###-#####-R#-AA0
 (Annex to interface drawing 1176370: please check for motor and cable output information)



1:2

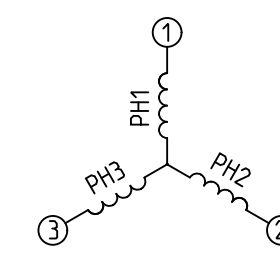
Designation	L2
TMB+0291-030	55
TMB+0291-050	75
TMB+0291-070	95
TMB+0291-100	125
TMB+0291-150	175
TMB+0291-200	225

Text	ID number	C111030305
Original drawing	Change No.	11.04e21
State: 1 Formet	Released	
Dimensions in mm	Tolerances as per ISO 8015: 2011	Tolerances series ISO 8015: 2011
1:1 A0	Blanking Dimensions / Contour d'environnement	Dimensions sans tolérance
		Dimensions sans tolérance
The reproduction, distribution and utilization of this document as well as the communication of its contents to others without express authorization is prohibited. Offenders will be held liable for the payment of damages. All rights reserved in the event of the grant of a patent, utility model or design. (ISO 15016)		
ETEL S.A. 2112 Mörsch SWITZERLAND		1220202-03-A-01

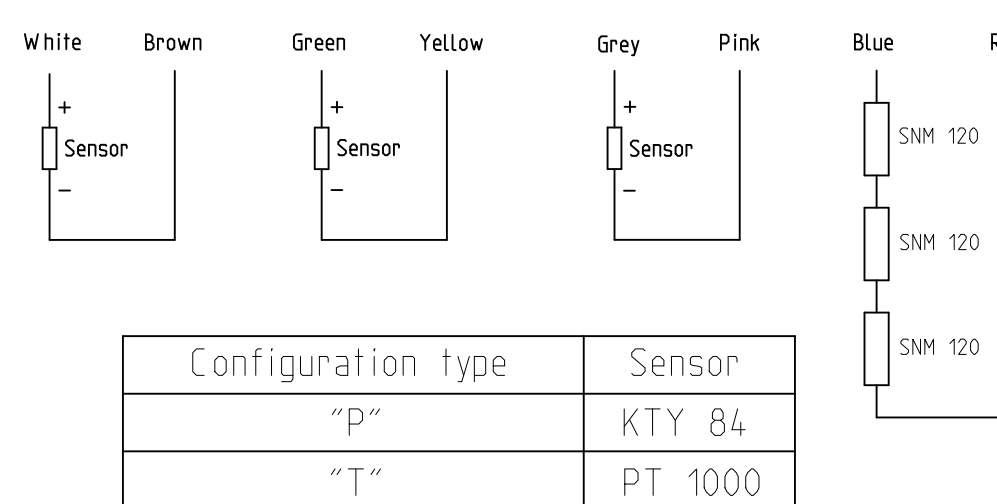


Power cable connection

Phase 1 = wire 1
Phase 2 = wire 2
Phase 3 = wire 3
PE = yellow/green wire



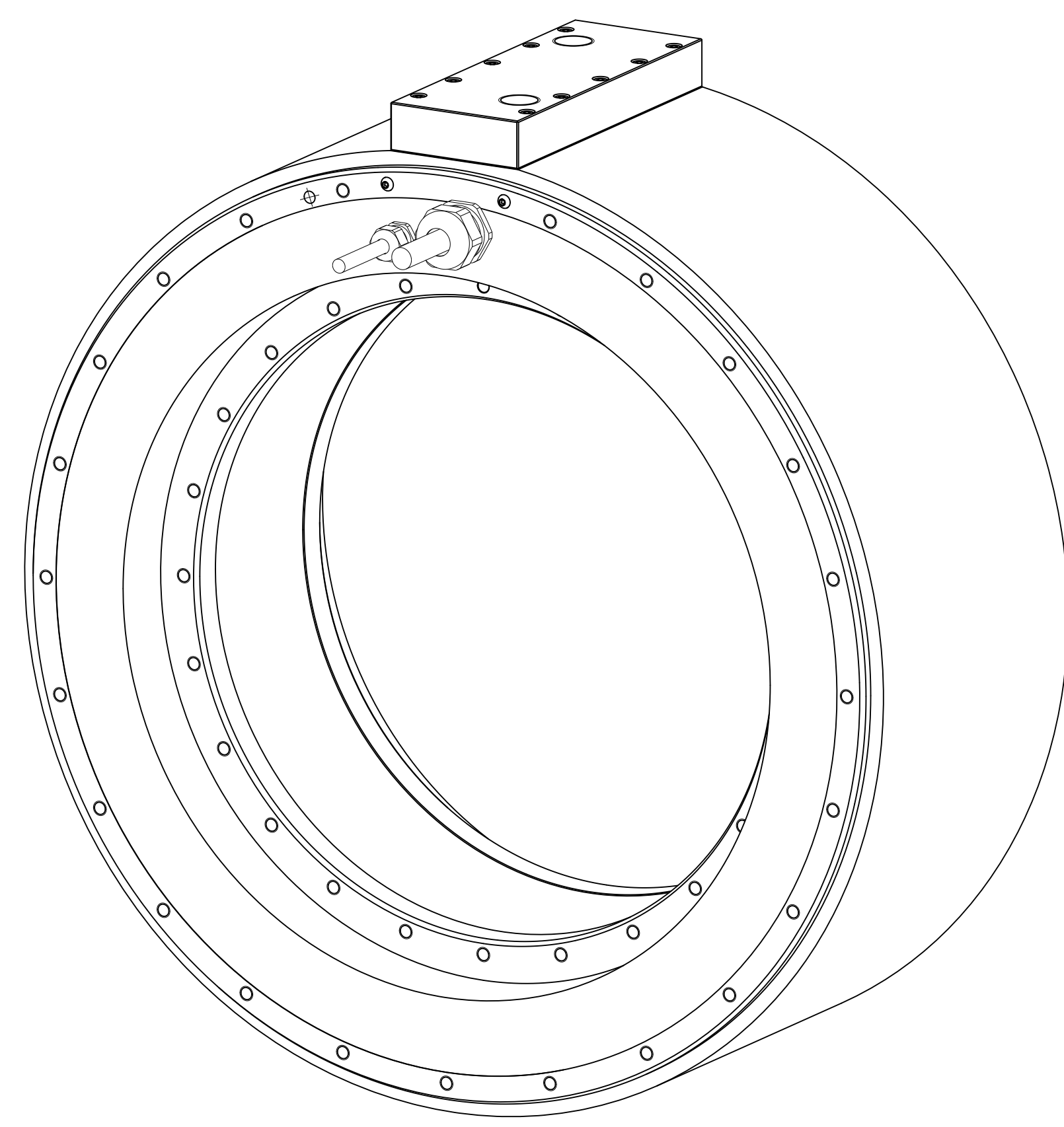
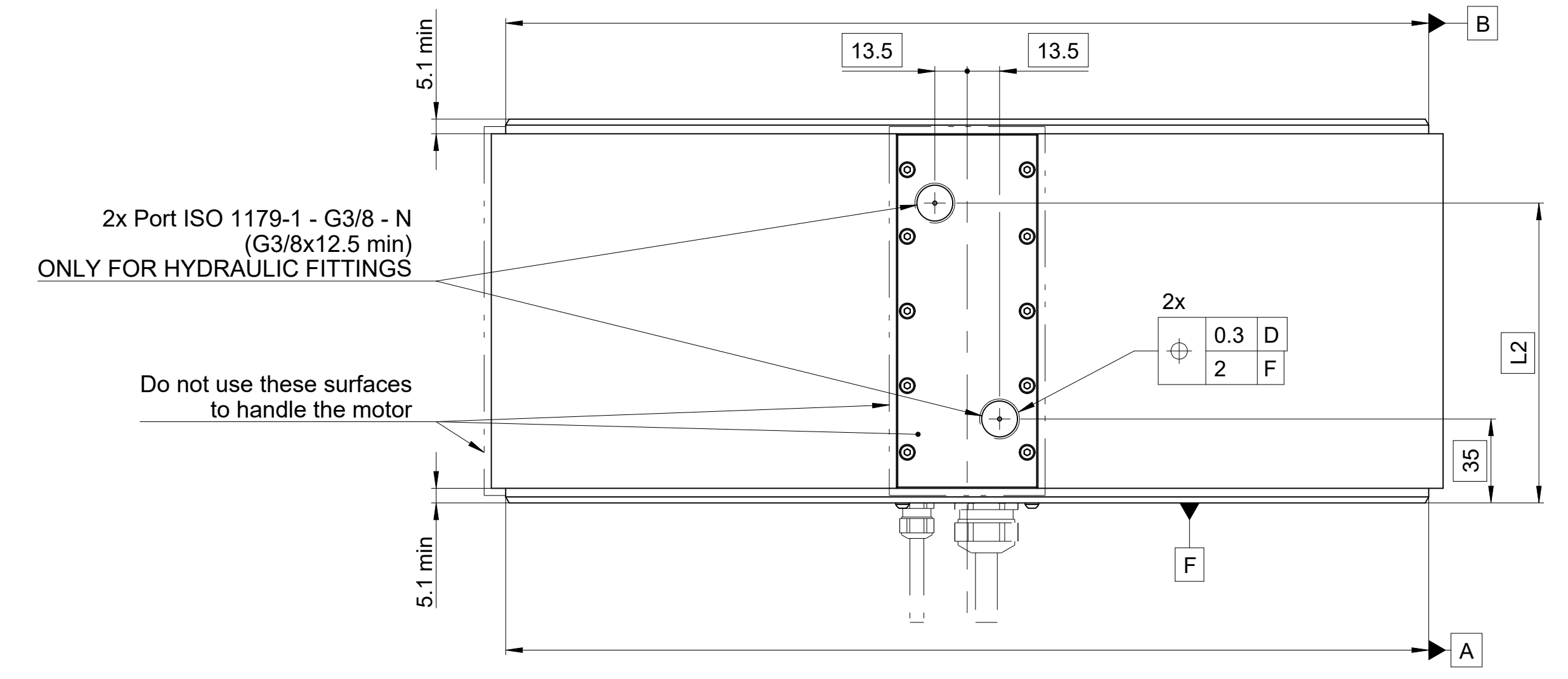
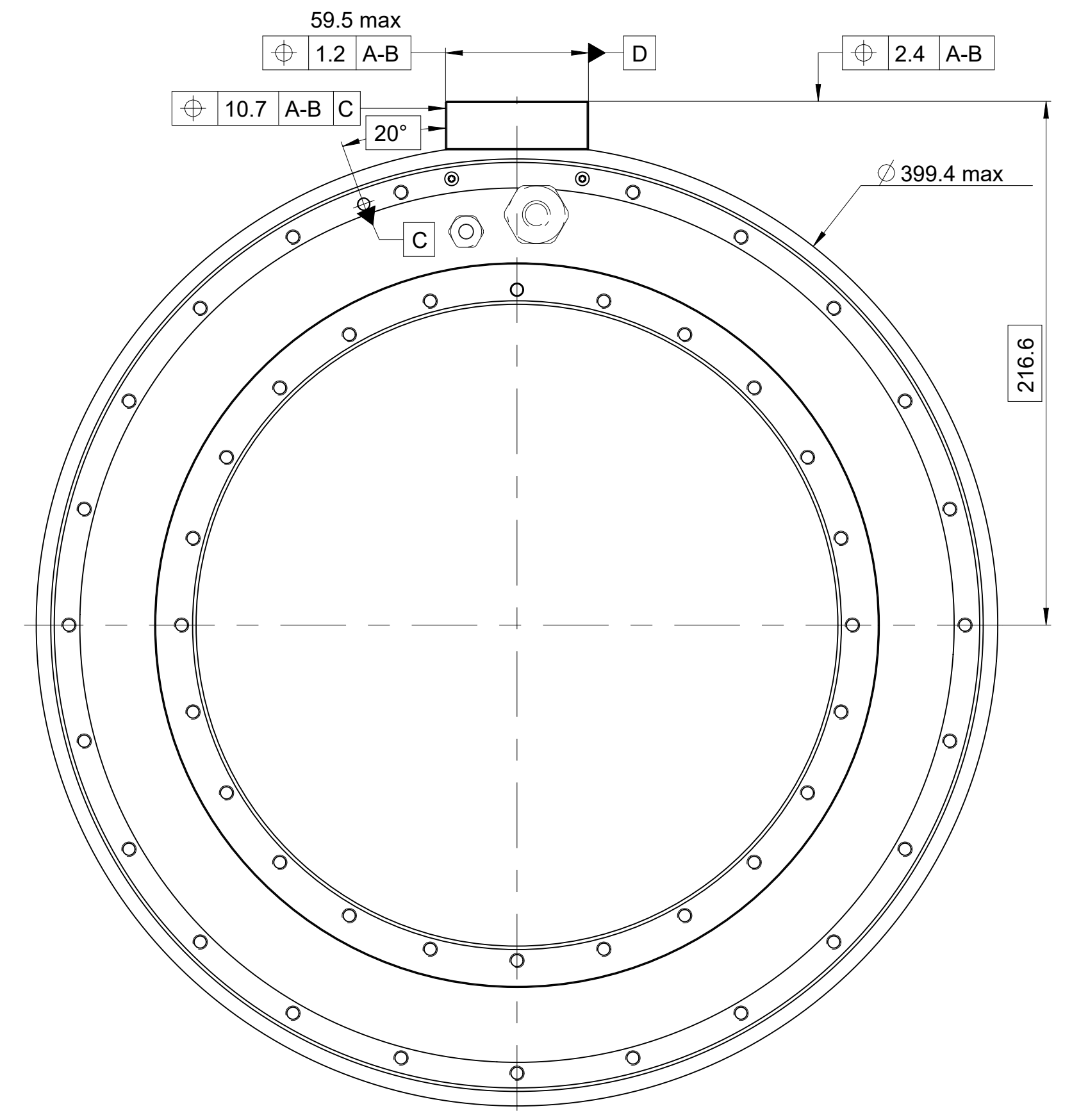
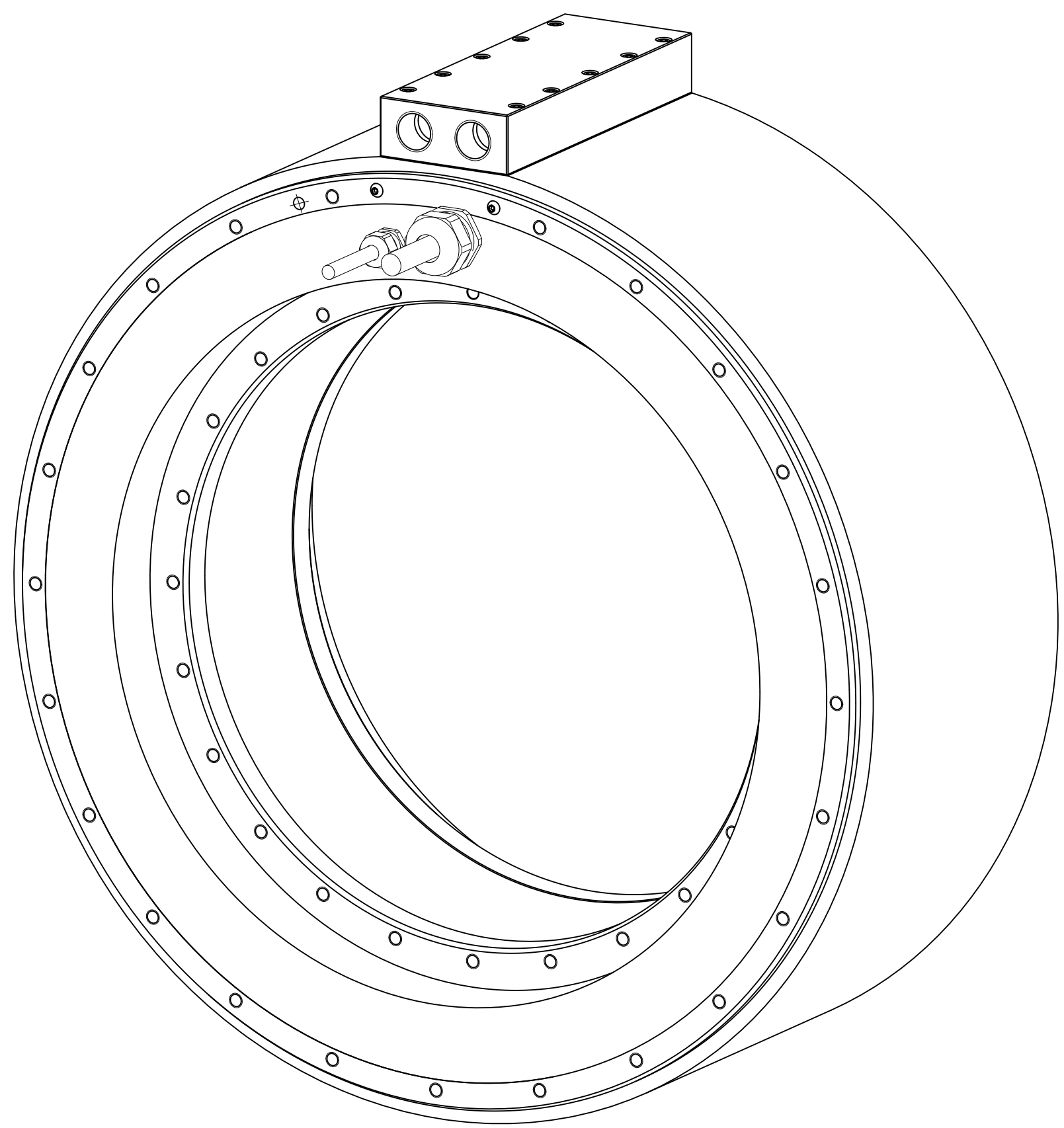
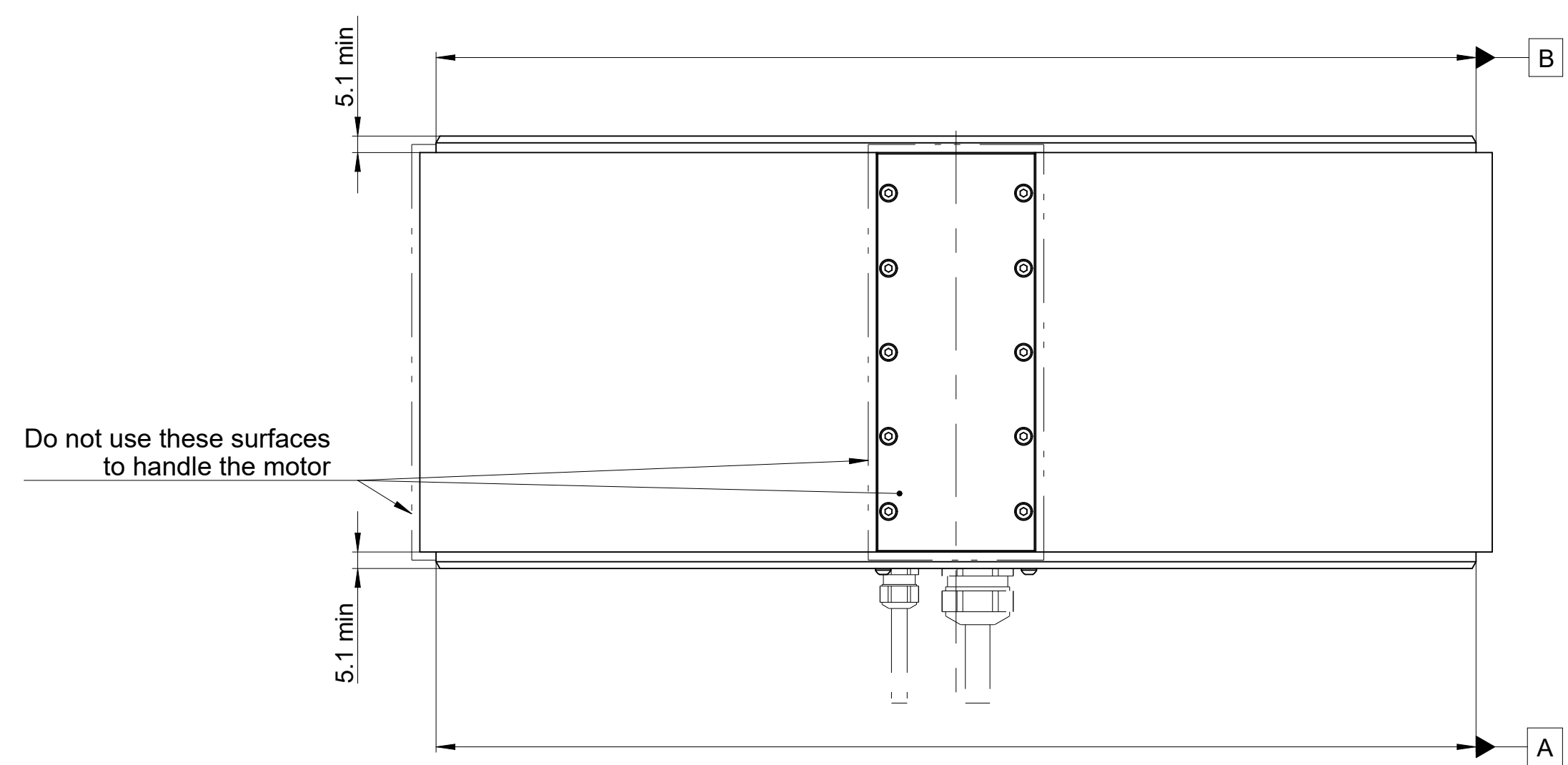
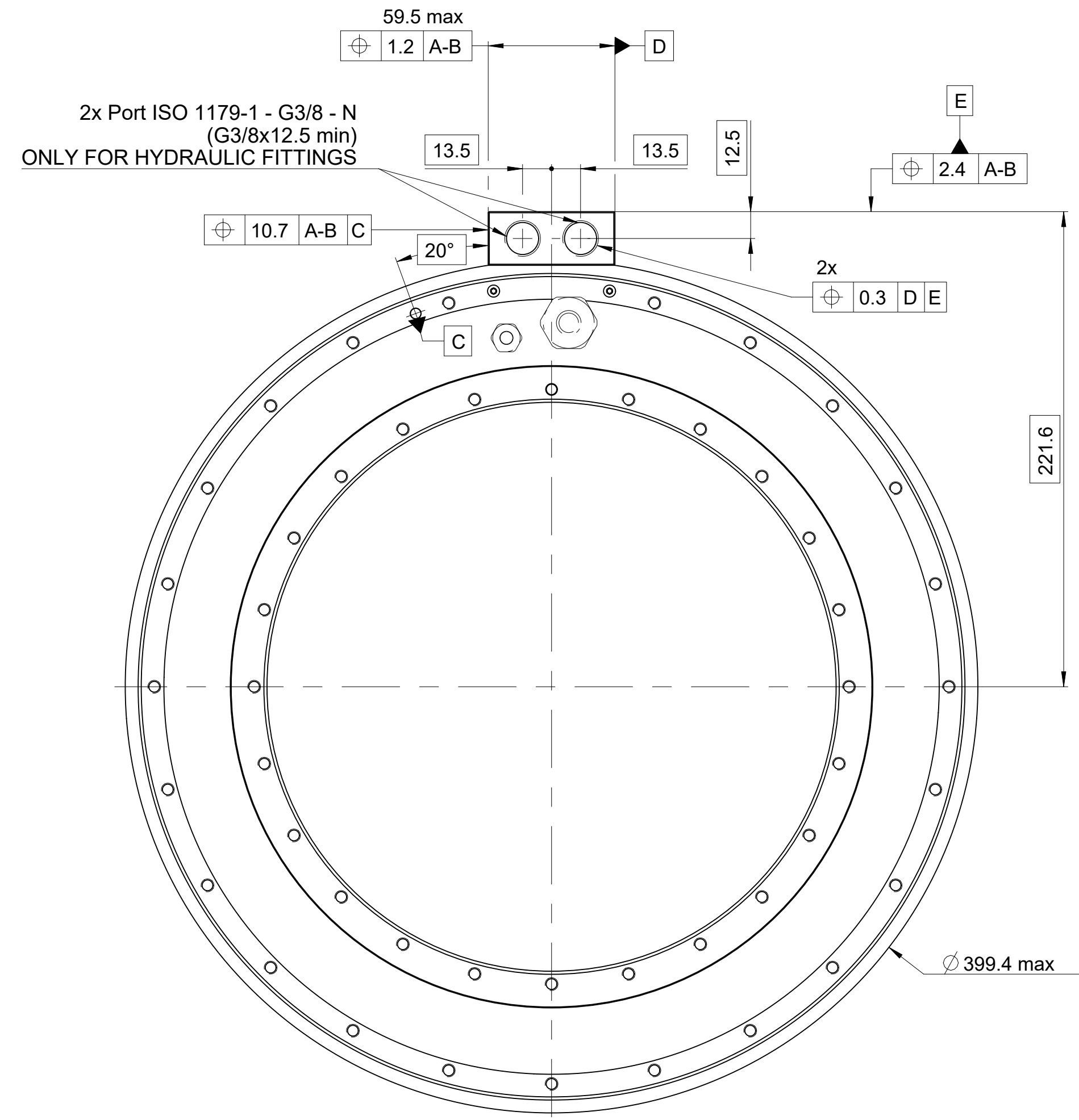
Sensor cable connection: "P" or "T" configuration



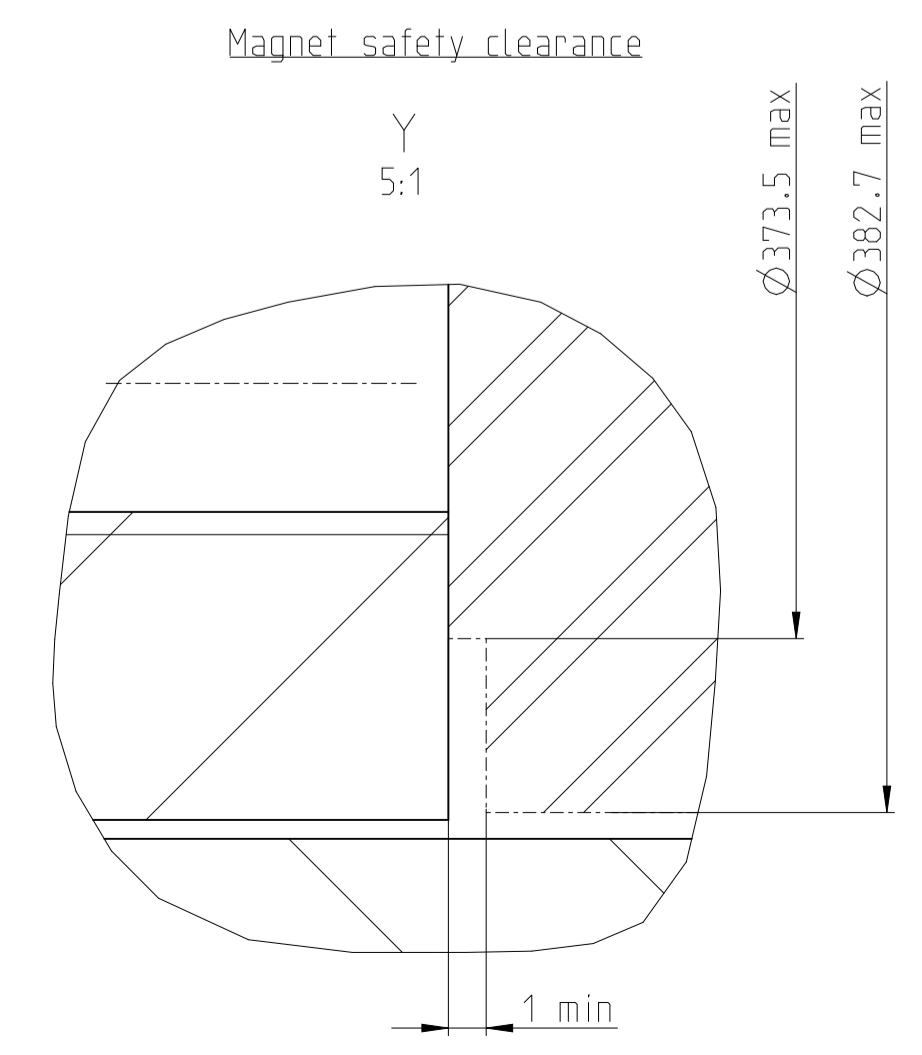
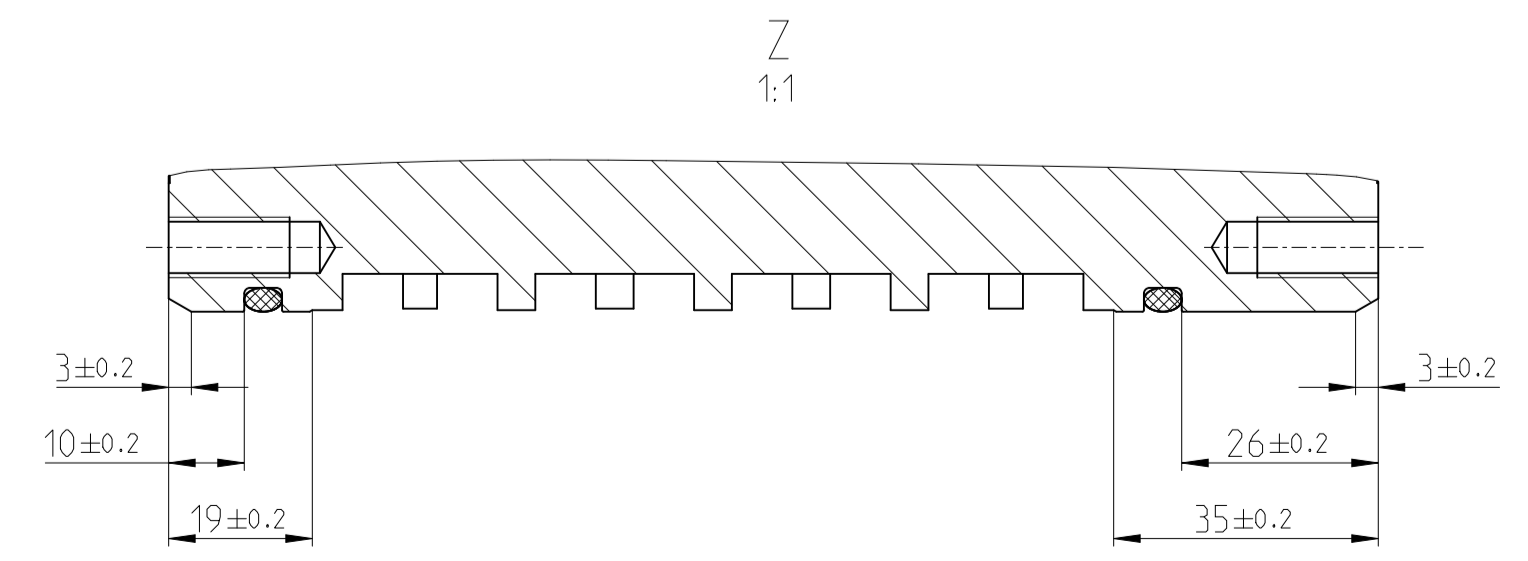
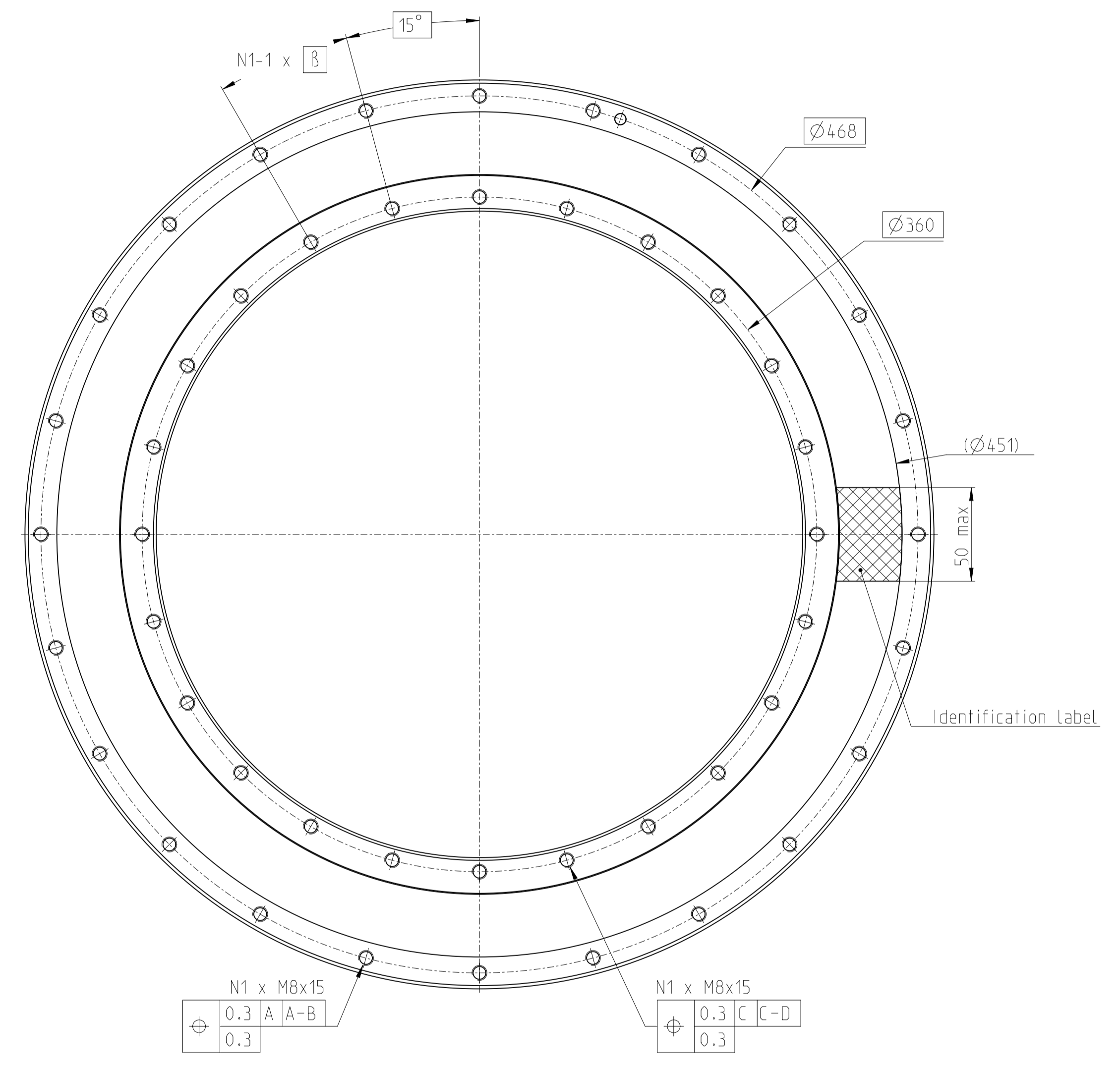
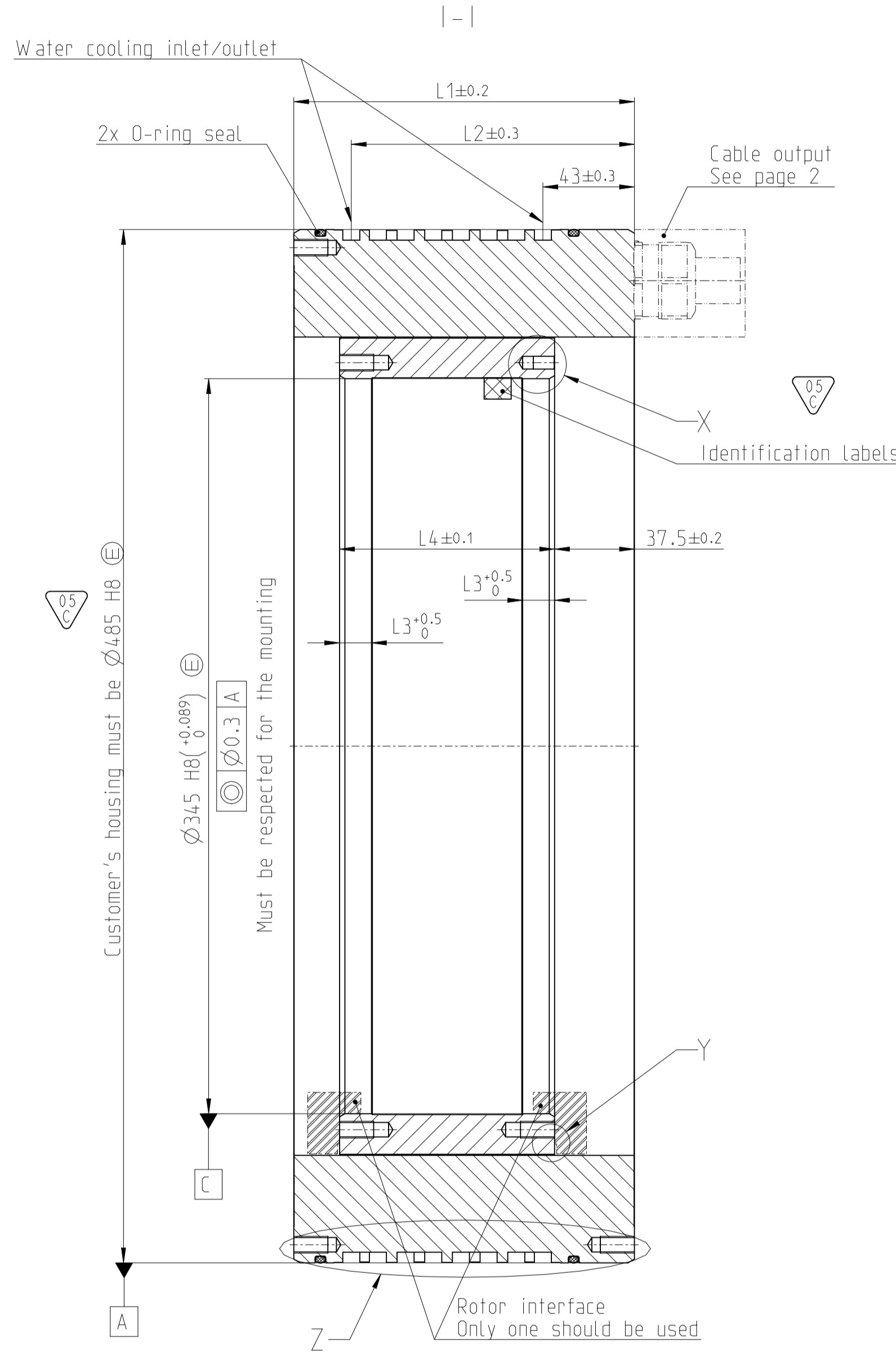
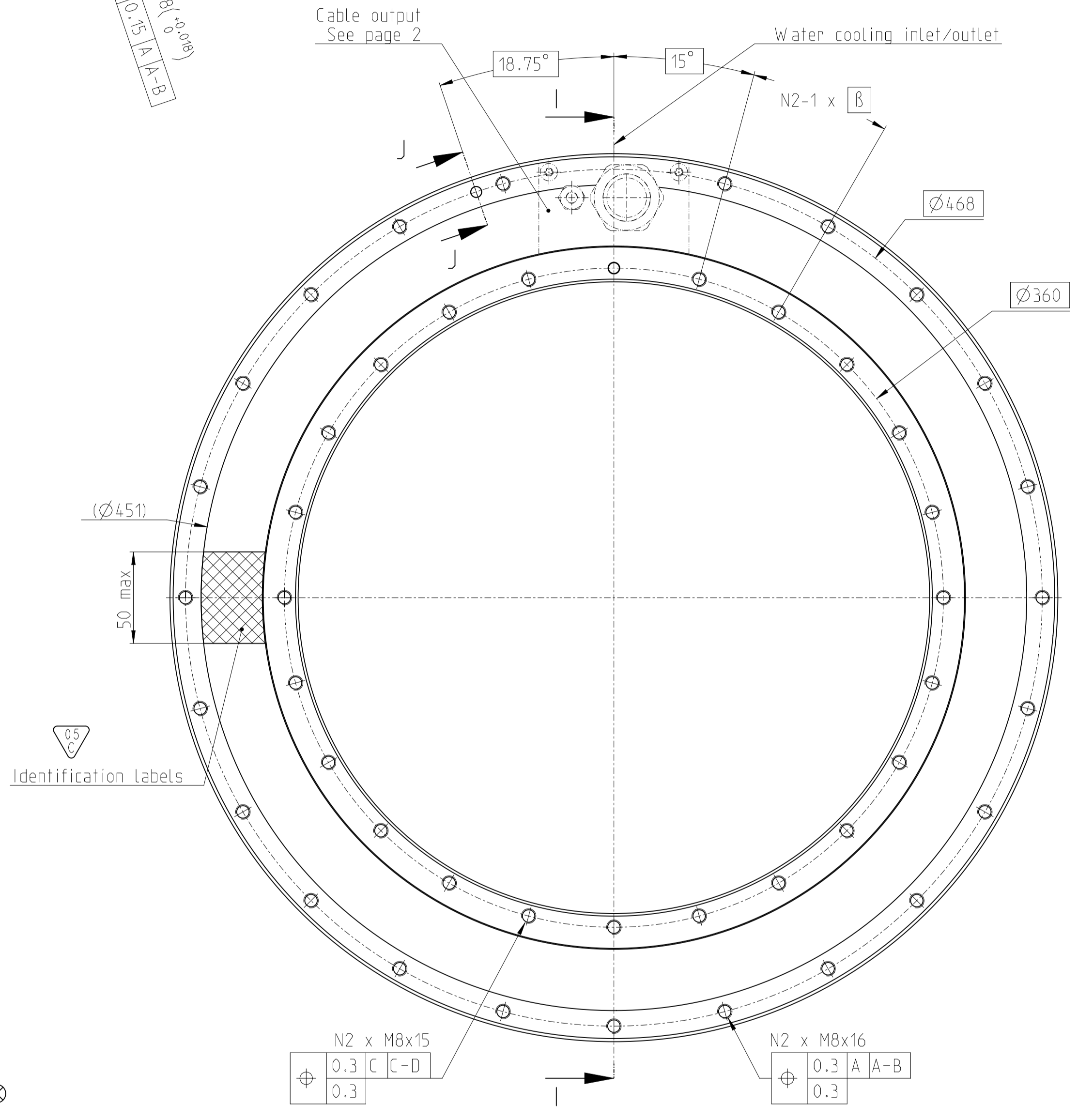
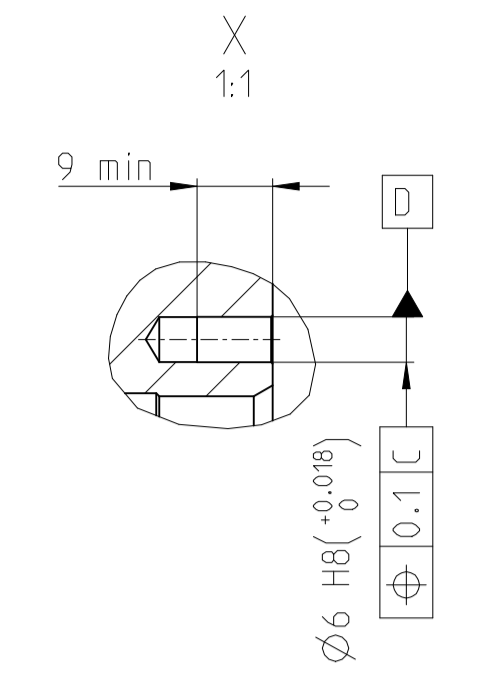
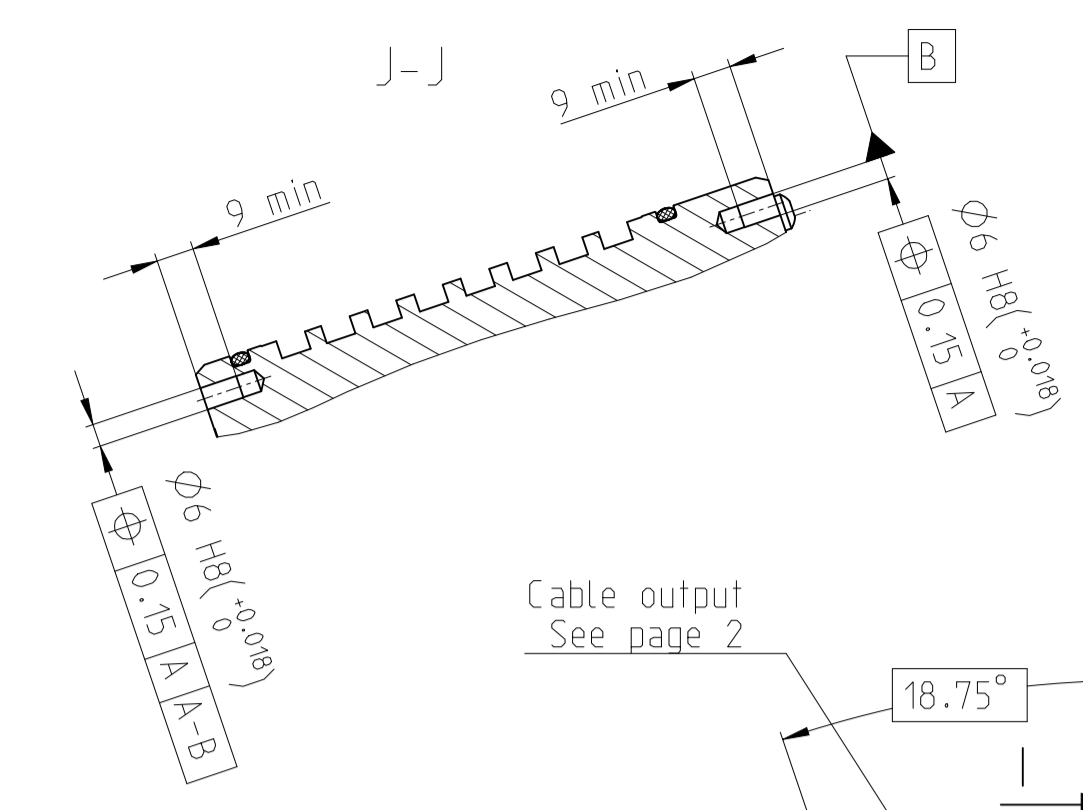
Motor family	0140	0175	0210	0290	0360	0450	0530	0760	0990	1221
White - Brown	Phase 1	Phase 3	Phase 2							
Green - Yellow	Phase 3	Phase 2	Phase 1							
Grey - Pink	Phase 2	Phase 1	Phase 3							

Designation	Output type	S=Wire section [mm²]	L5 [mm]	L6 [mm]	H1 [mm]	D [mm]	SW [mm]	Bending radius [mm]
TMB+0360-###-TA#S#	Type 1	1.5	-	-	26	9.1	24	Static bending radius for: - sensor cable = 30 - power cable = 4x ØD
TMB+0360-###-TA#E#	Type 2		51.5		34.5			
TMB+0360-###-VA#S#	Type 1		-		26			
TMB+0360-###-VA#E#	Type 2		51.5		34.5			
TMB+0360-###-UA#S#	Type 1	2.5	-	-	26	10.6	24	
TMB+0360-###-UA#E#	Type 2		51.5		34.5			
TMB+0360-###-TB#S#	Type 1		-		26			
TMB+0360-###-TB#E#	Type 2		51.5		34.5			
TMB+0360-###-UB#S#	Type 1	4	-	-	26	11.9	30	
TMB+0360-###-UB#E#	Type 2		51.5		34.5			
TMB+0360-###-VB#S#	Type 1		-		28			
TMB+0360-###-VB#E#	Type 2		53.5		34.5			
TMB+0360-###-TF#S#	Type 3	6	-	-	128.5	-	-	
TMB+0360-###-TF#E#	Type 4		-		31			
TMB+0360-###-UF#S#	Type 3		-		127			
TMB+0360-###-UF#E#	Type 4		-		-			

Text:		ID number:	C0358836
Original drawing	TMB+0360-###-####-O#-AAO	Change No.	13.12.2021
Scale: 1:1	TMB+0360-###-####-O#-AAO	Tolerances as per ISO 8015: 2011	Tolerances series ISO 8015: 2011
Dimensions in mm	1:1 A0	Dimensions without tolerance	±0.2
ETEL S.A. 2112 Mörslen SWITZERLAND		1176776-05-A-01	

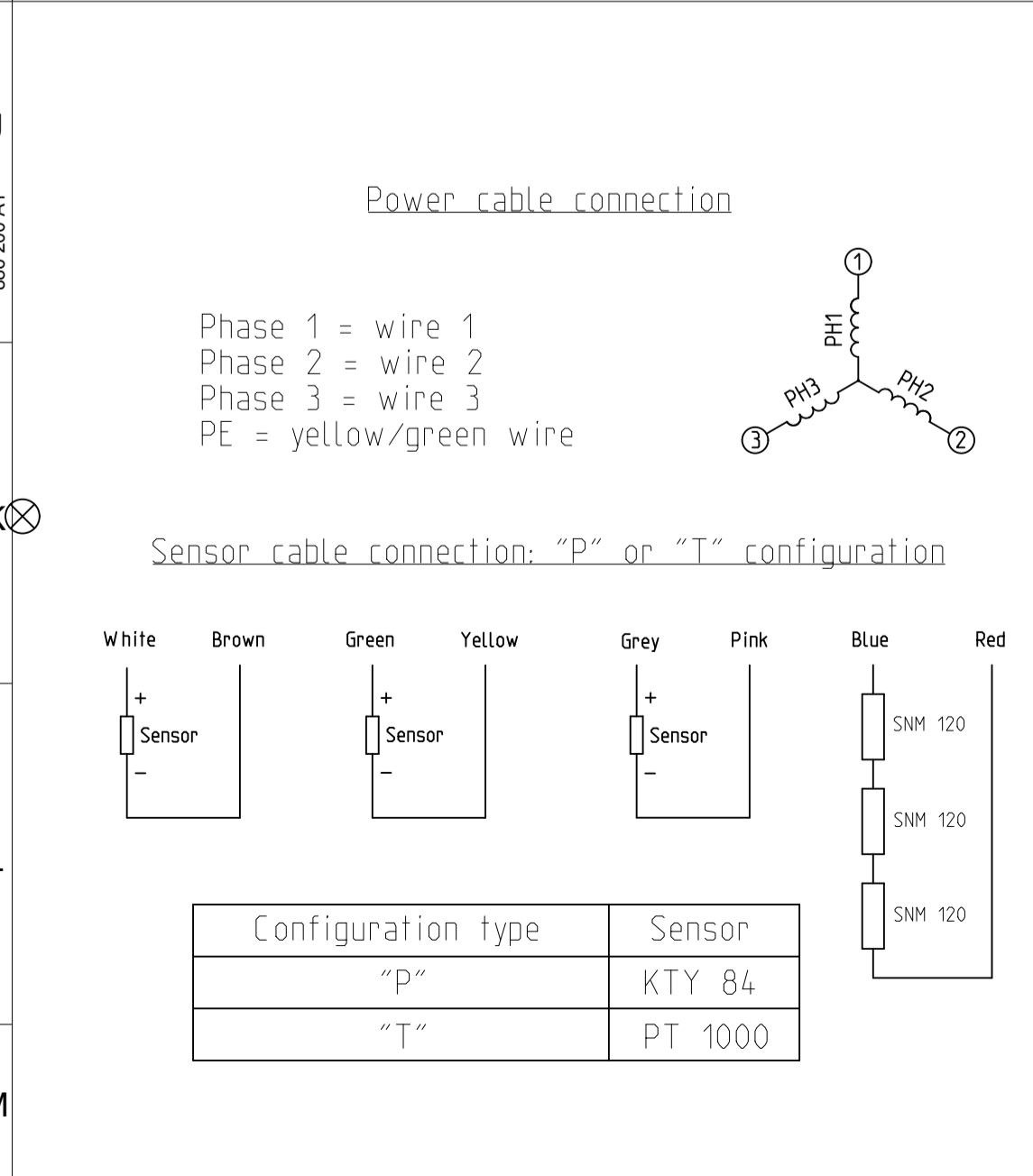
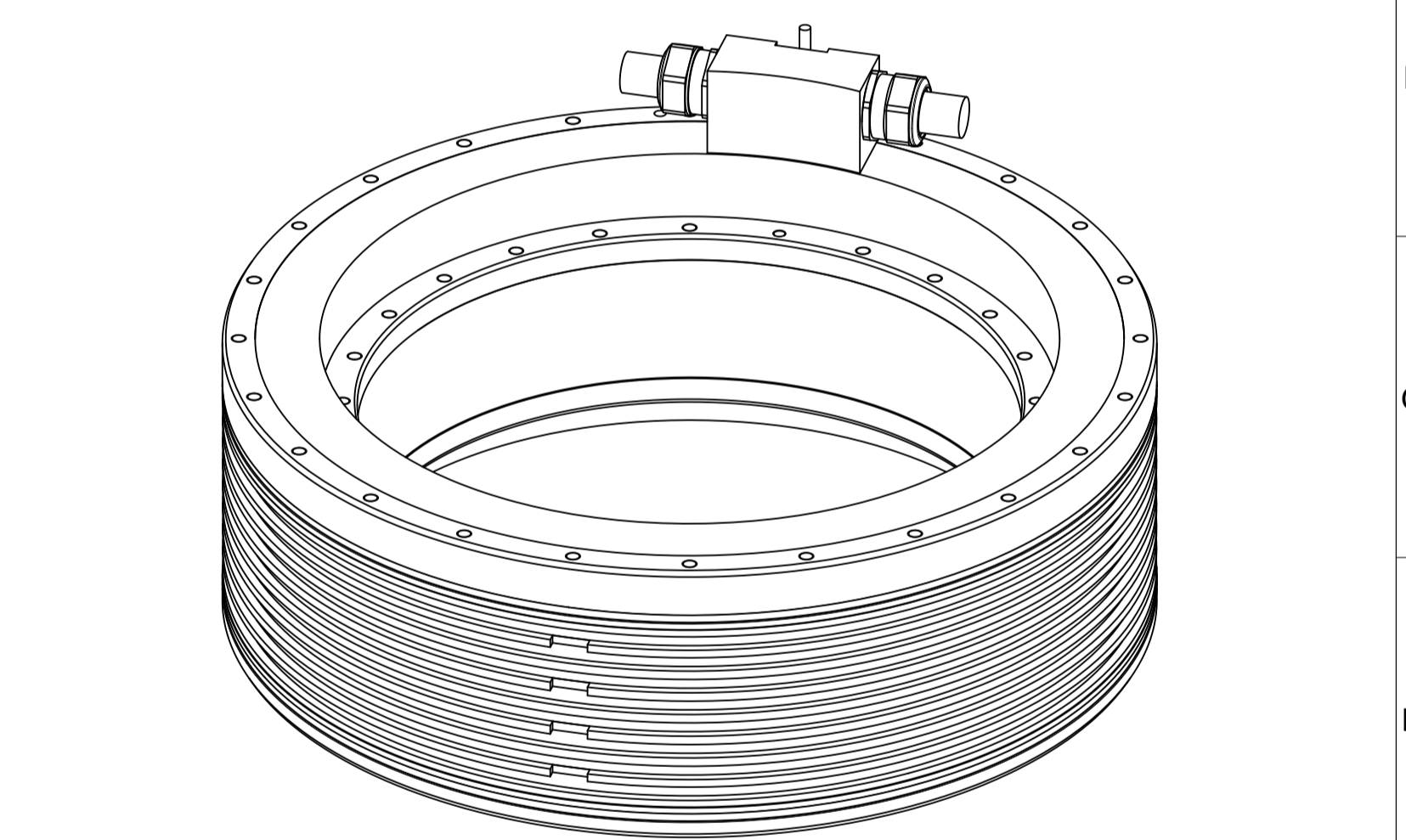
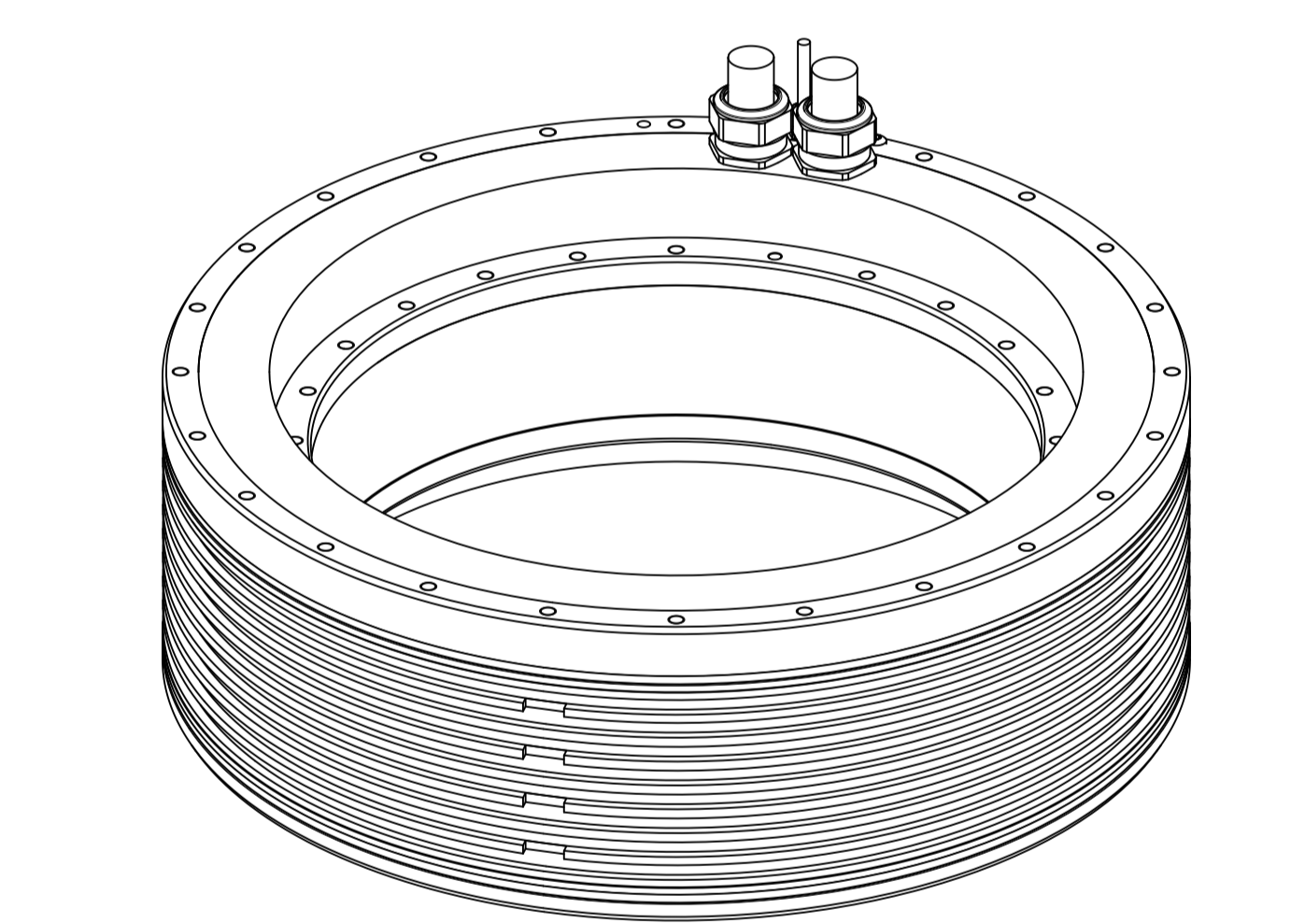
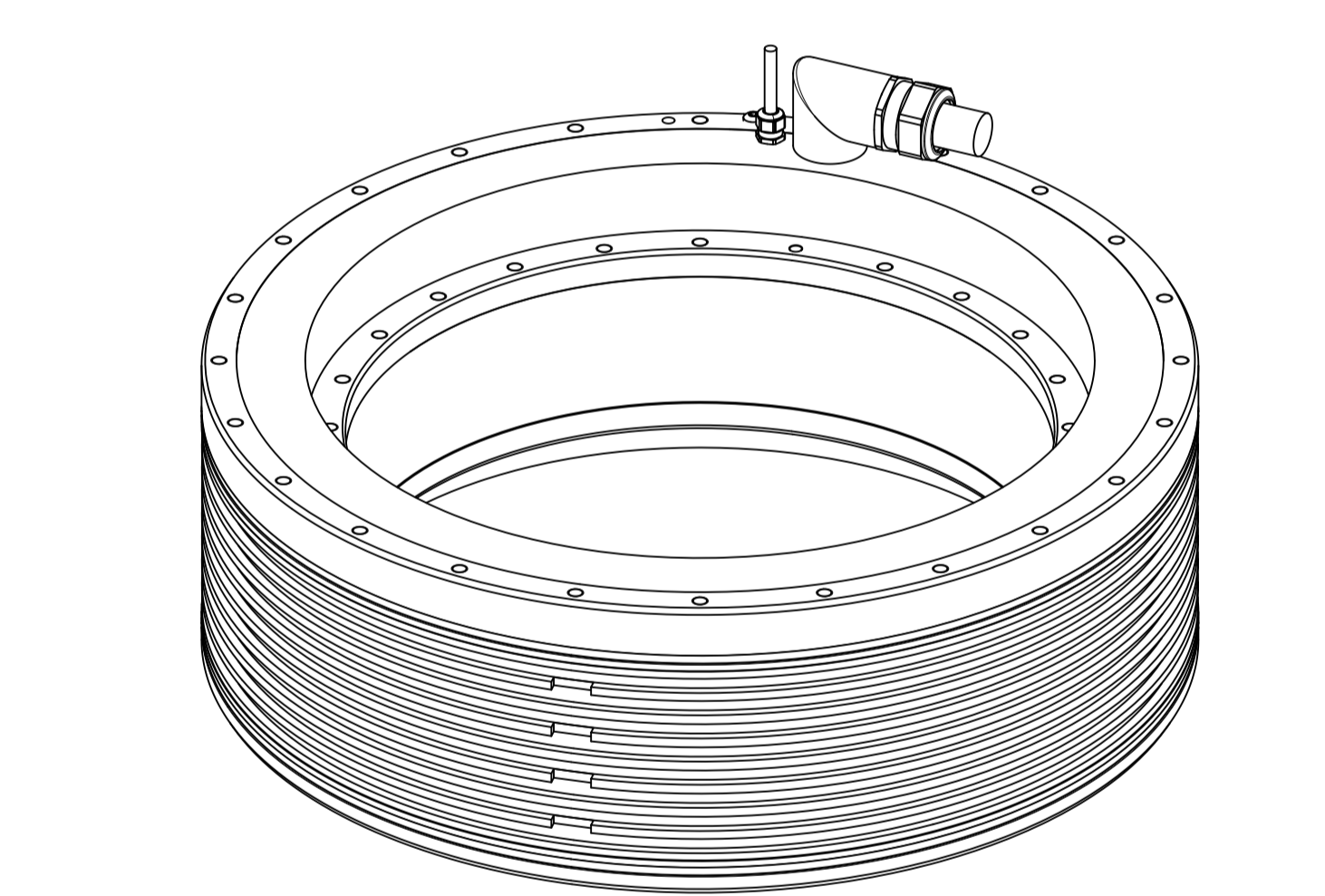
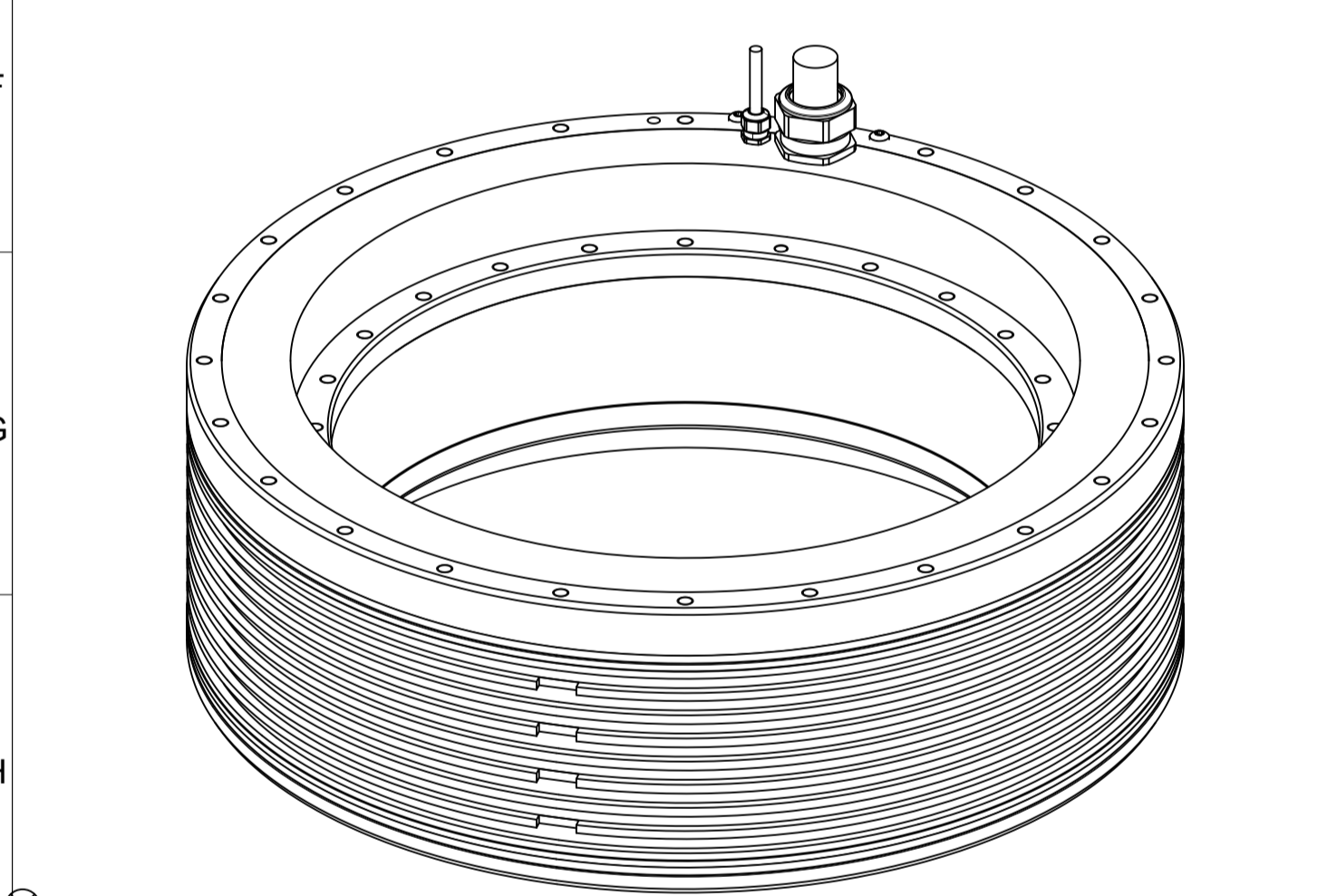
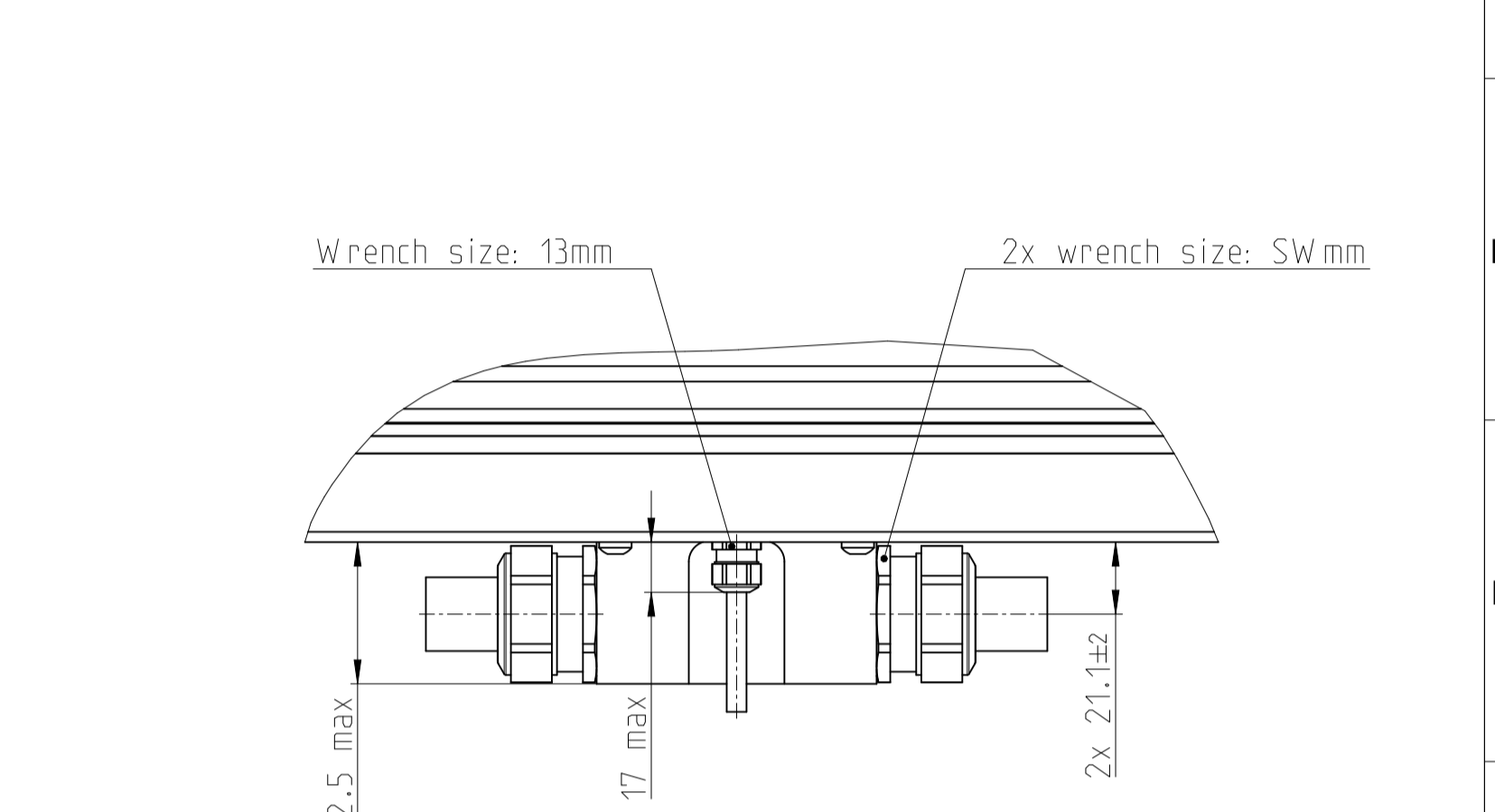
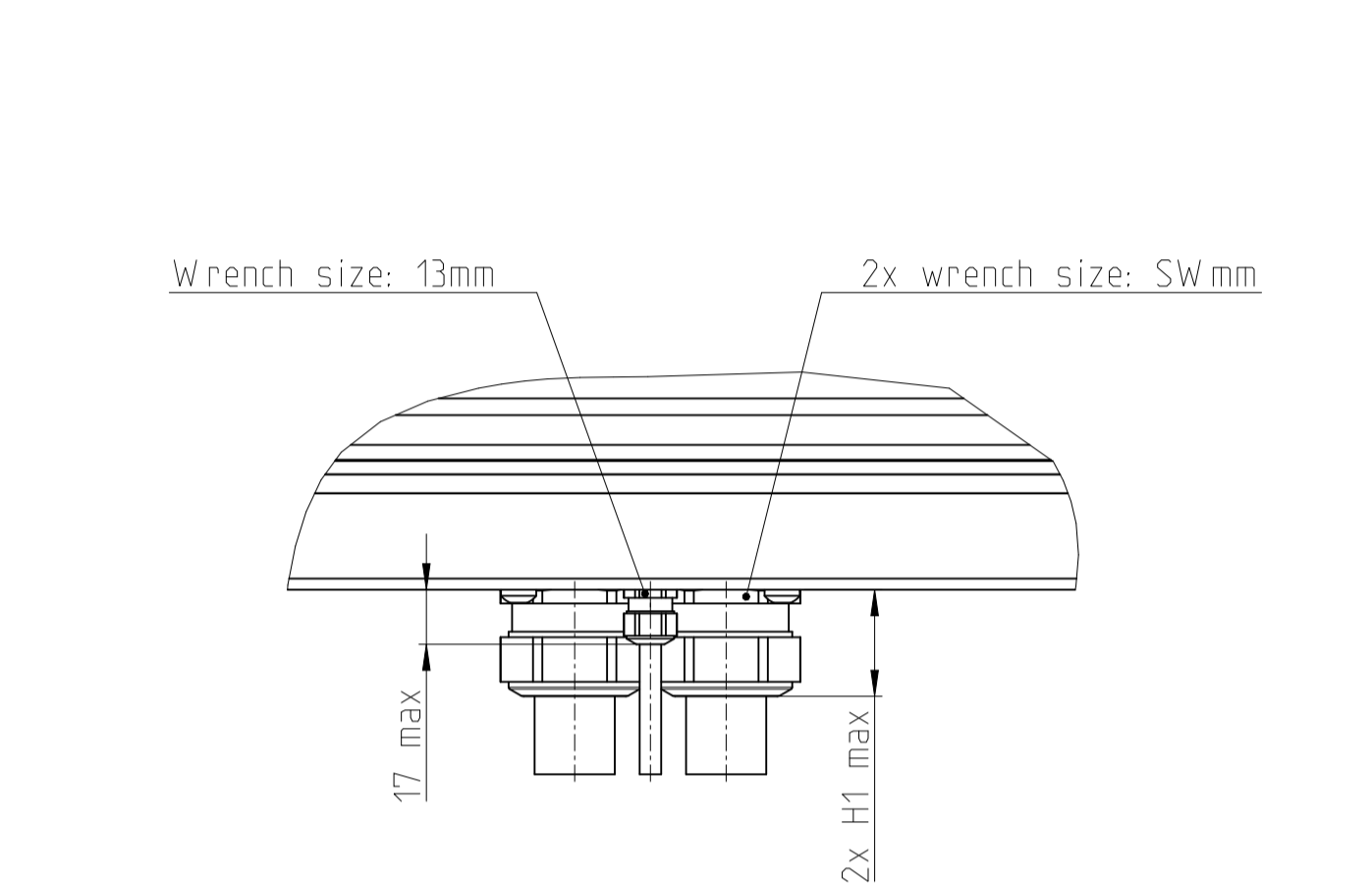
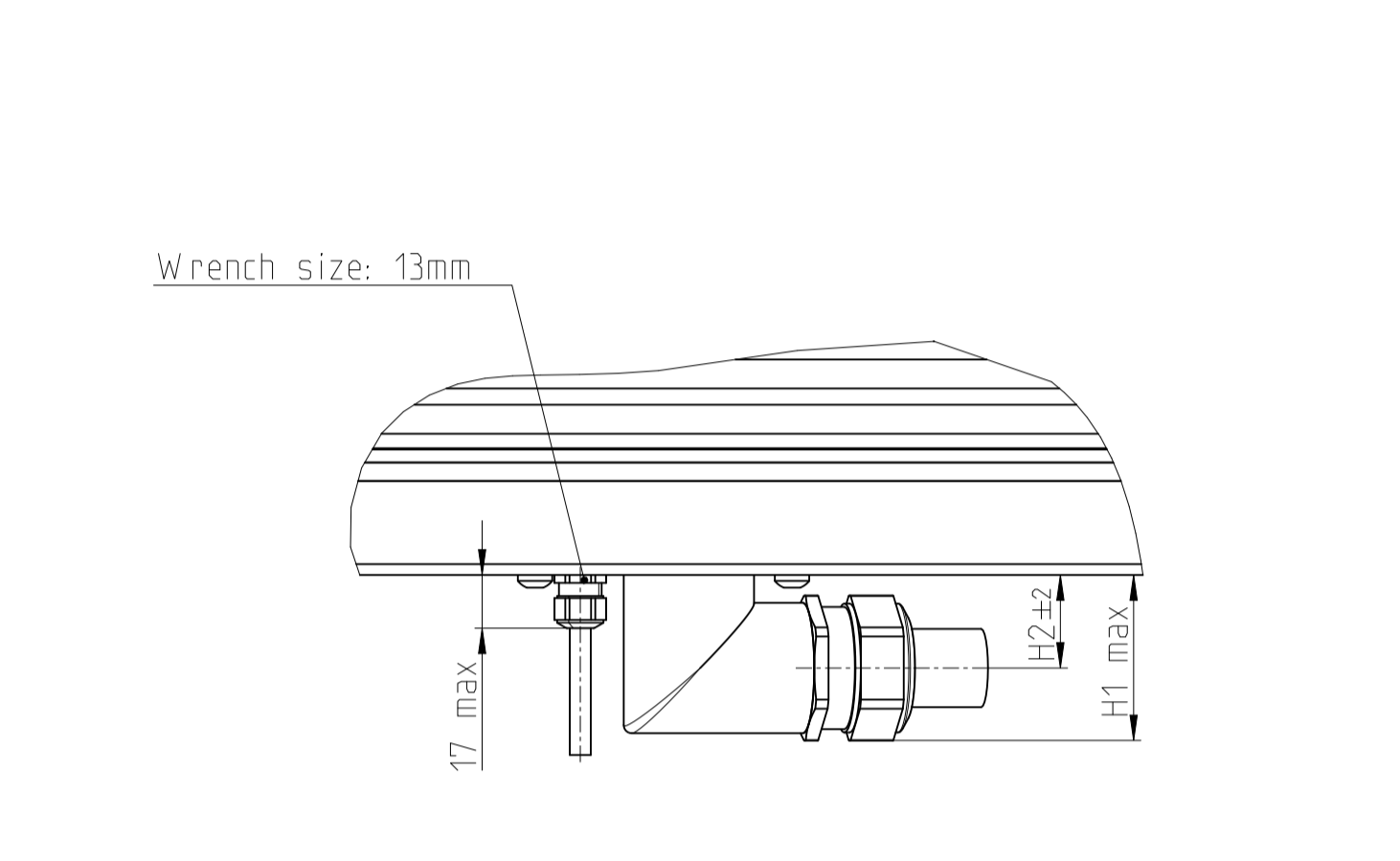
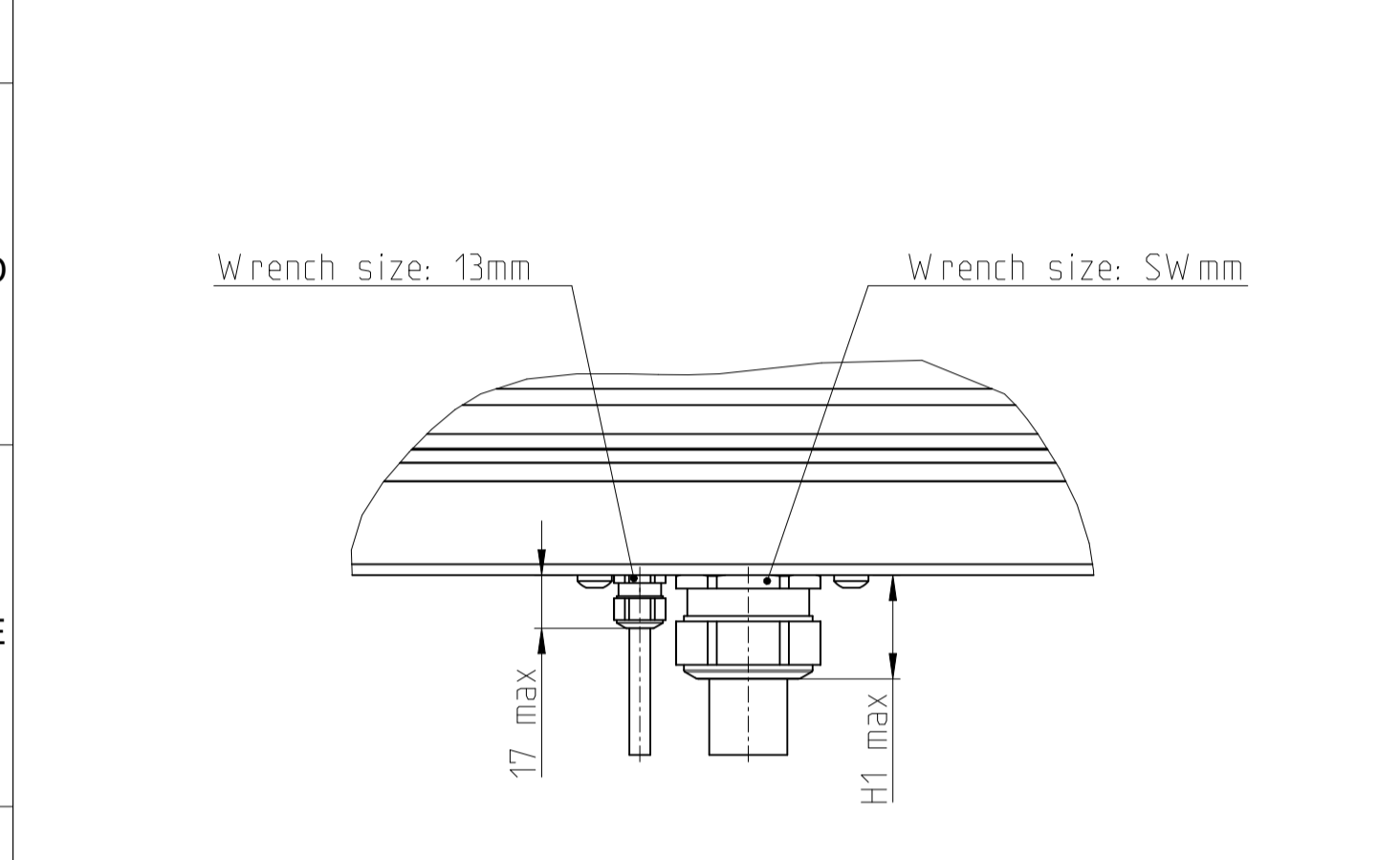
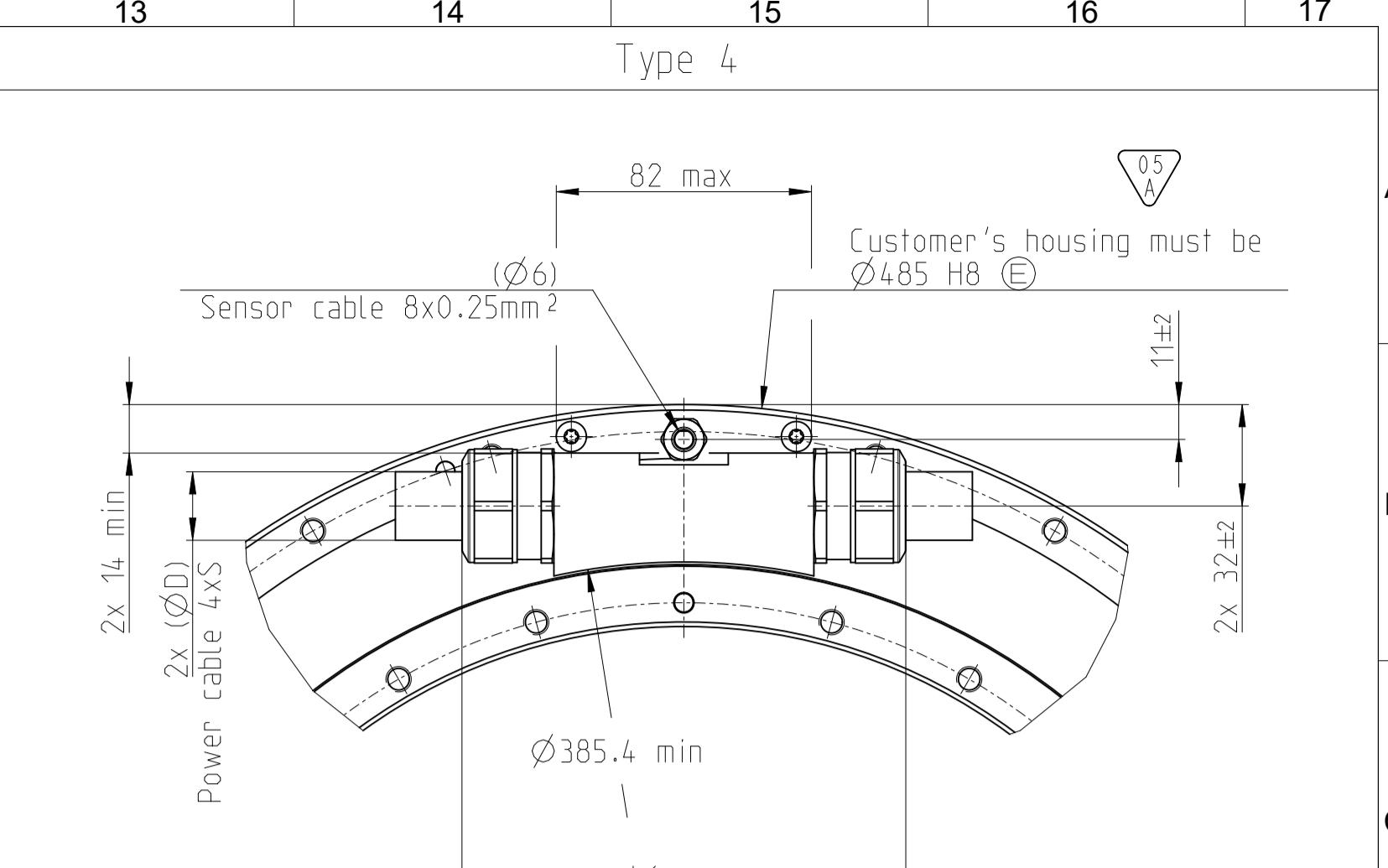
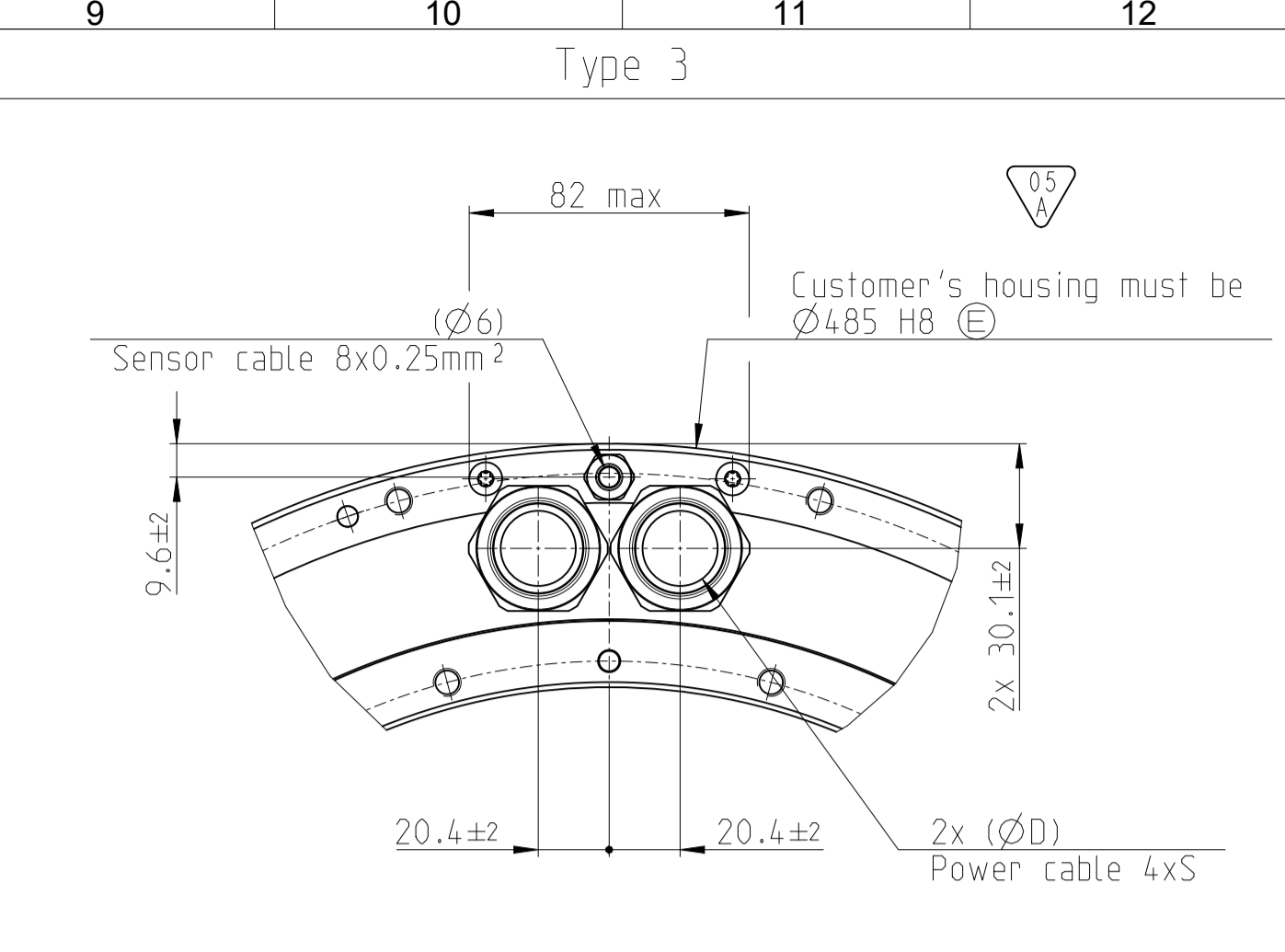
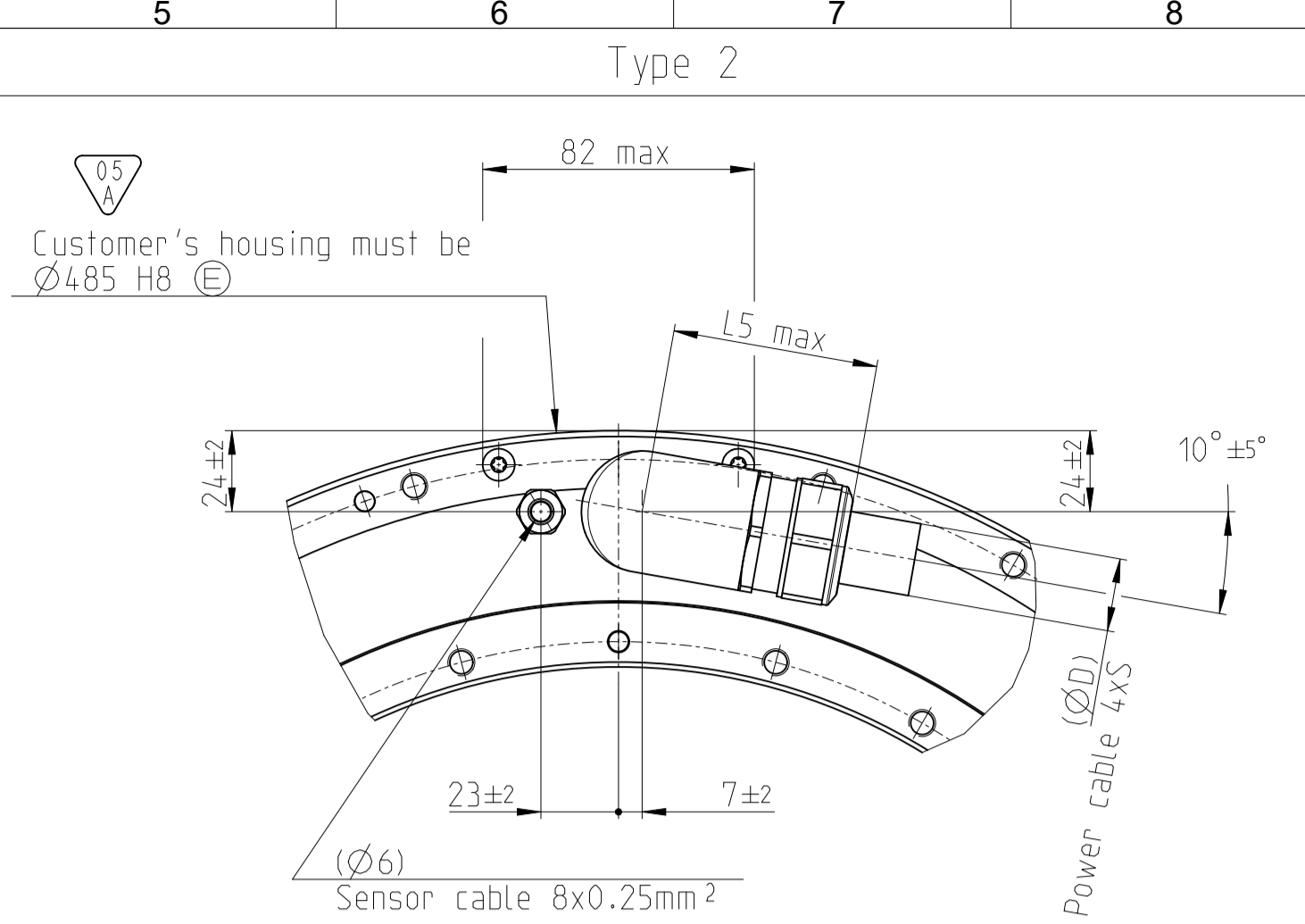
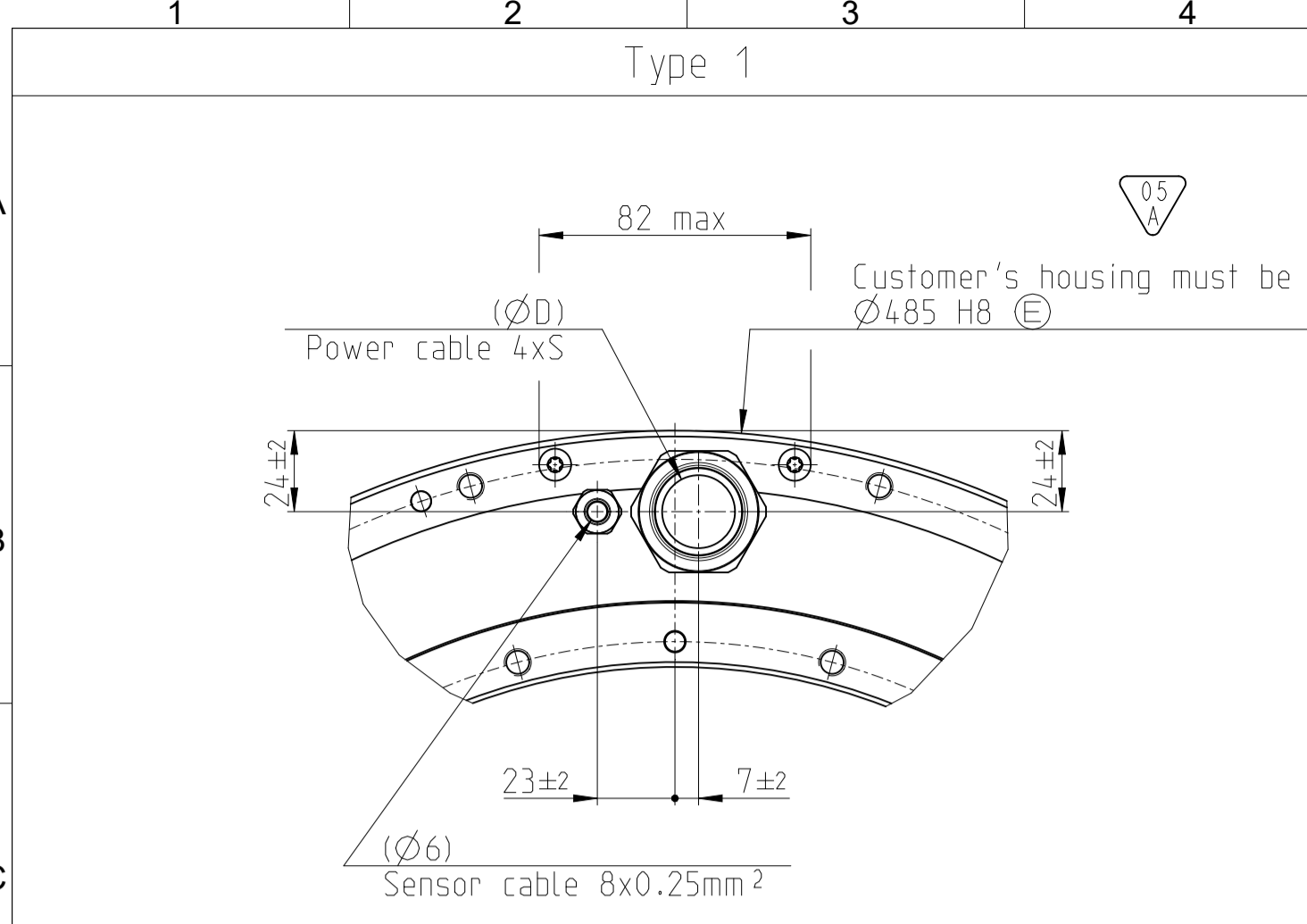


Designation	L2
TMB+0360-030	55
TMB+0360-050	75
TMB+0360-070	95
TMB+0360-100	125
TMB+0360-150	175
TMB+0360-200	225



Designation	L1	L2	L3	L4	N1	N2	β
TMB+0450-030	90	63	10	31			
TMB+0450-050	110	83		51	12	12	30°
TMB+0450-070	130	103		71			
TMB+0450-100	160	133	15	101			
TMB+0450-150	210	183		151	24	23	15°
TMB+0450-200	260	233		202			

Text:		ID number:
Original drawing	Scale	Change No. C075986-36
1:2	A1	Released: 06.12.2021
TMB+0450-###-####-O#-AAO		Tolerances as per ISO 8015 : 2011
TMB+0450-###-####-O#-AAO		Tolerances selon ISO 8015 : 2011
Mating Dimensions / Coles d'encroisement		Dimensions without tolerance ± 0.2
The reproduction, distribution and utilization of this document as well as the communication of its contents to others without express authorization is prohibited. Offenders will be held liable for the payment of damages. All rights reserved in the event of the grant of a patent, utility model or design. (ISO 18015)		Version Revision Sheet Page
ETEL ETEL S.A. 2112 Möllers SWITZERLAND		1176871-05-C-01 1 of 2



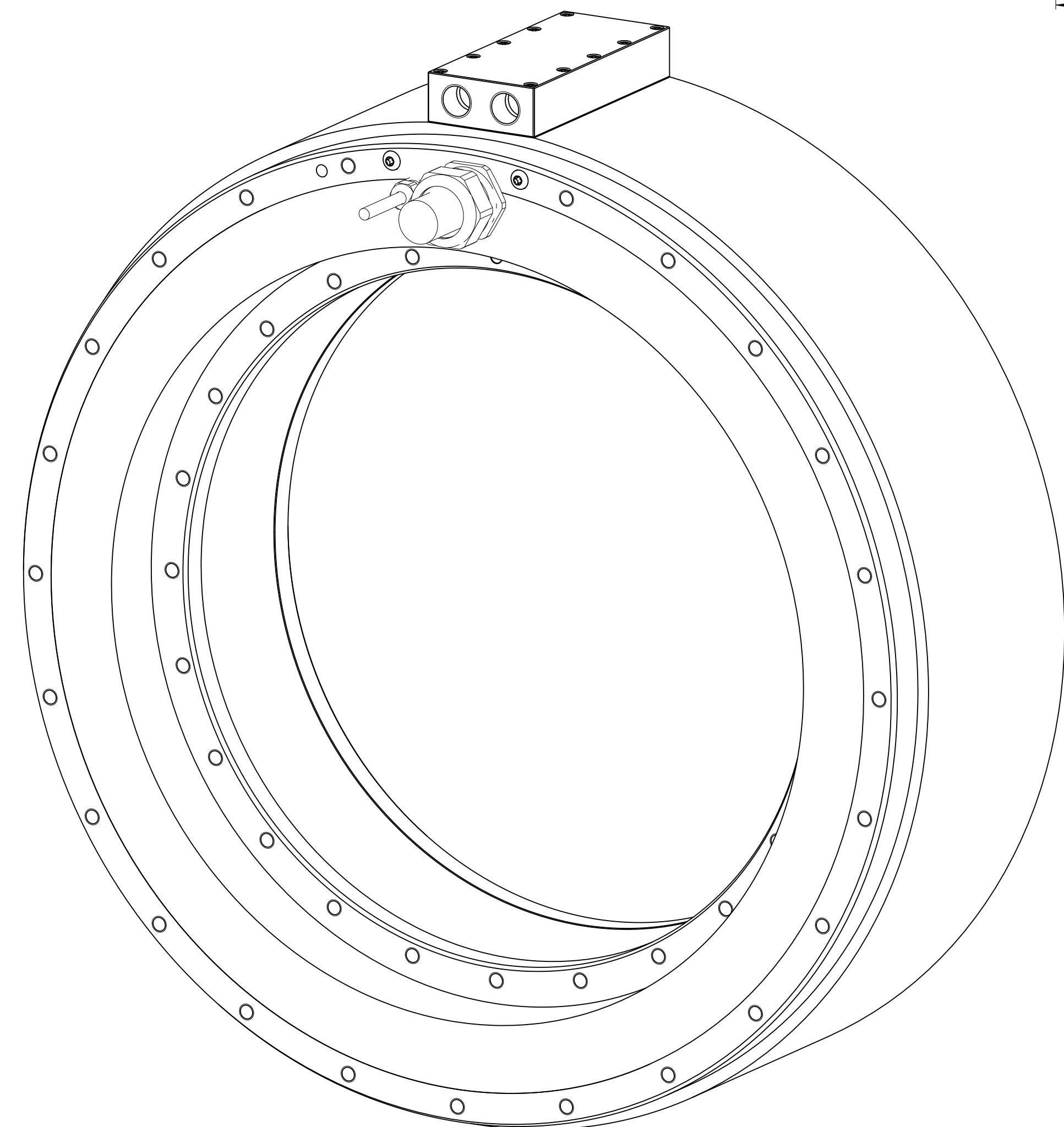
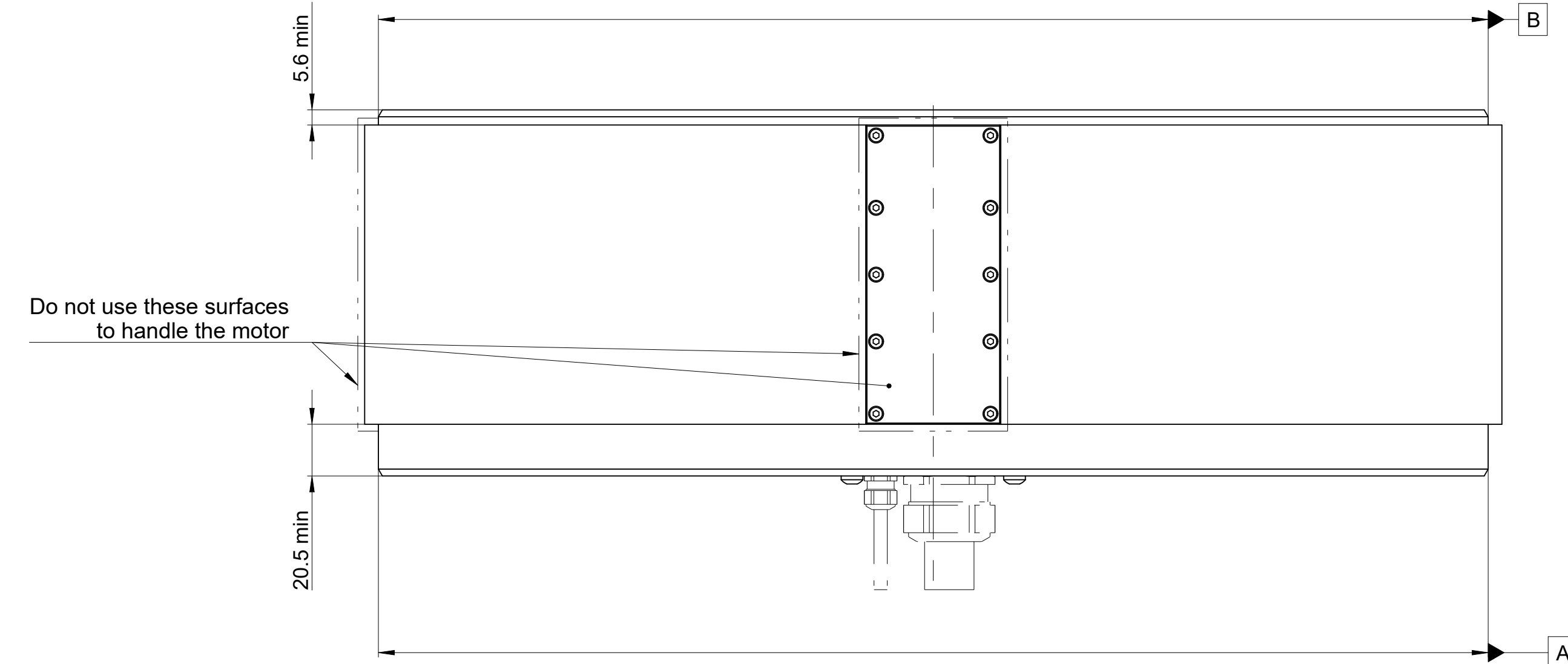
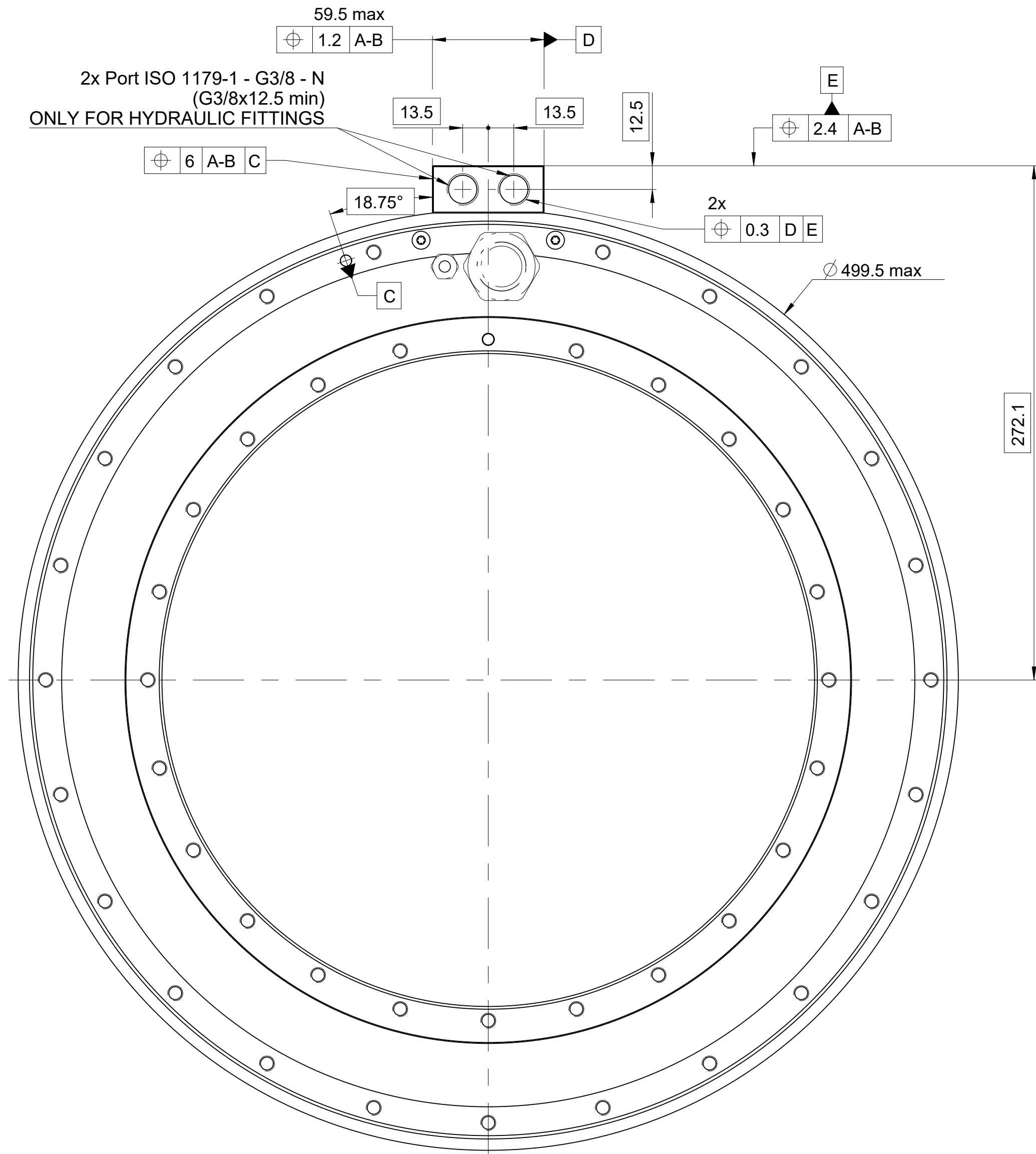
Motor family	0140	0175	0291	0210
0290				
0360				
0450				
0530				
0760				
0990				
1221				

Connection	Phase 1	Phase 3	Phase 2
White - Brown	Phase 1	Phase 3	Phase 2
Green - Yellow	Phase 3	Phase 2	Phase 1
Grey - Pink	Phase 2	Phase 1	Phase 3

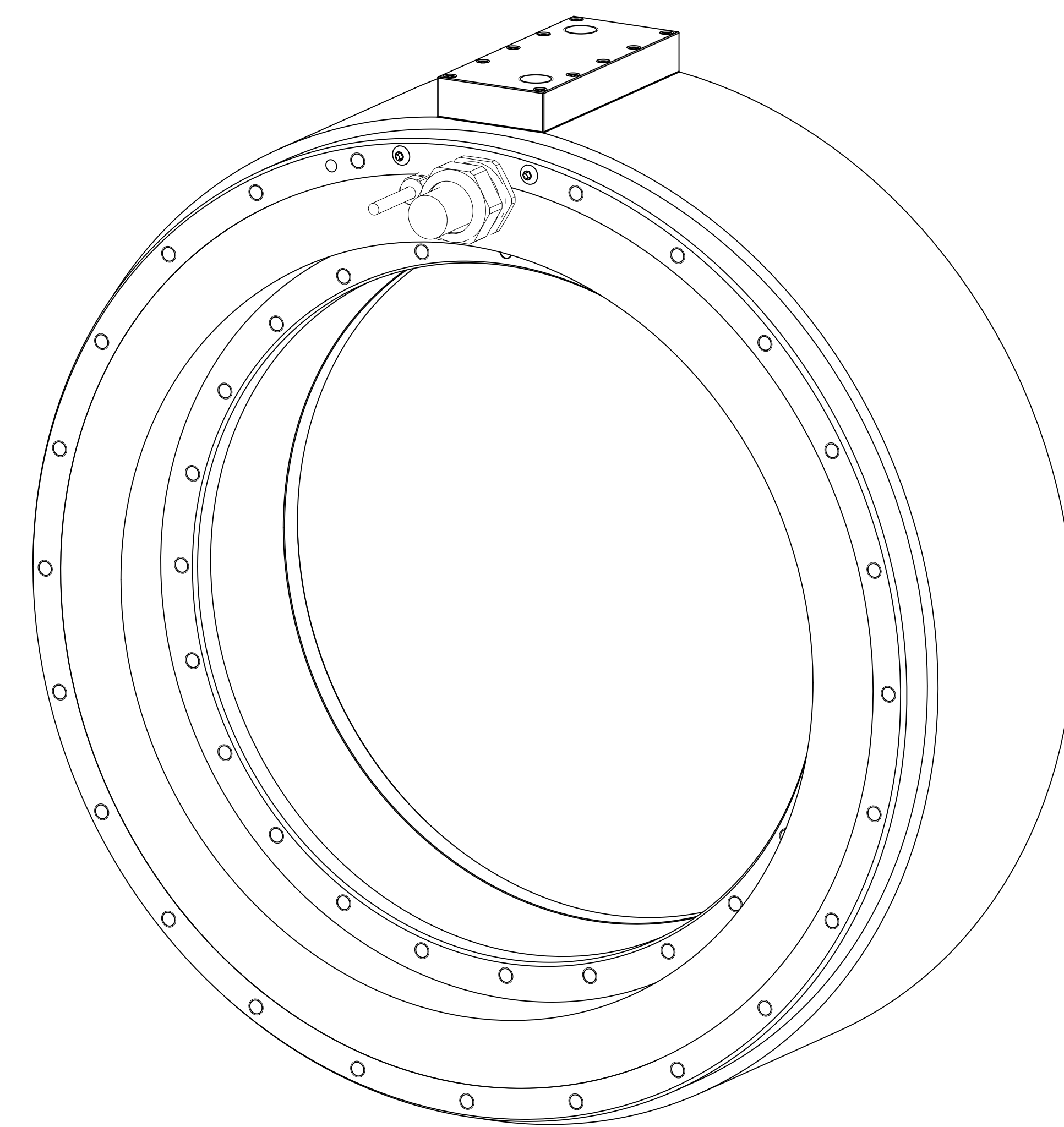
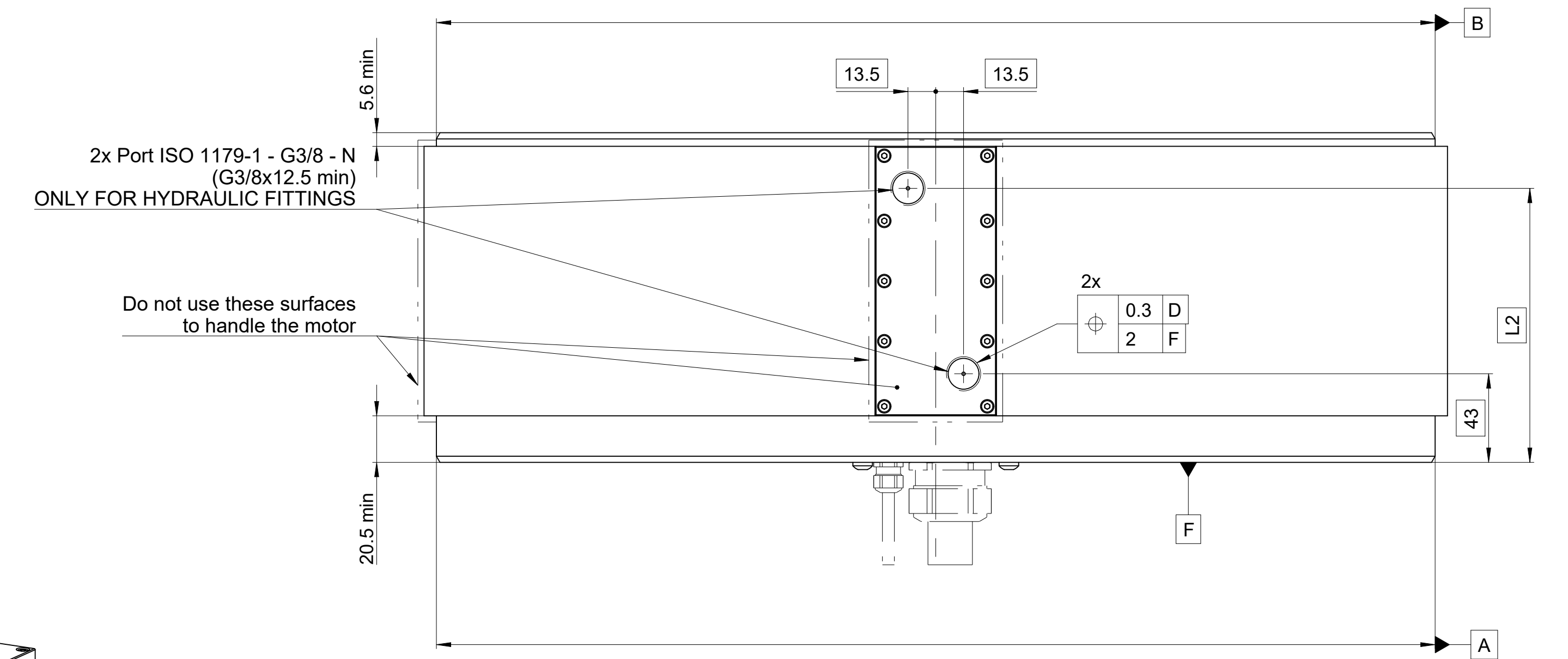
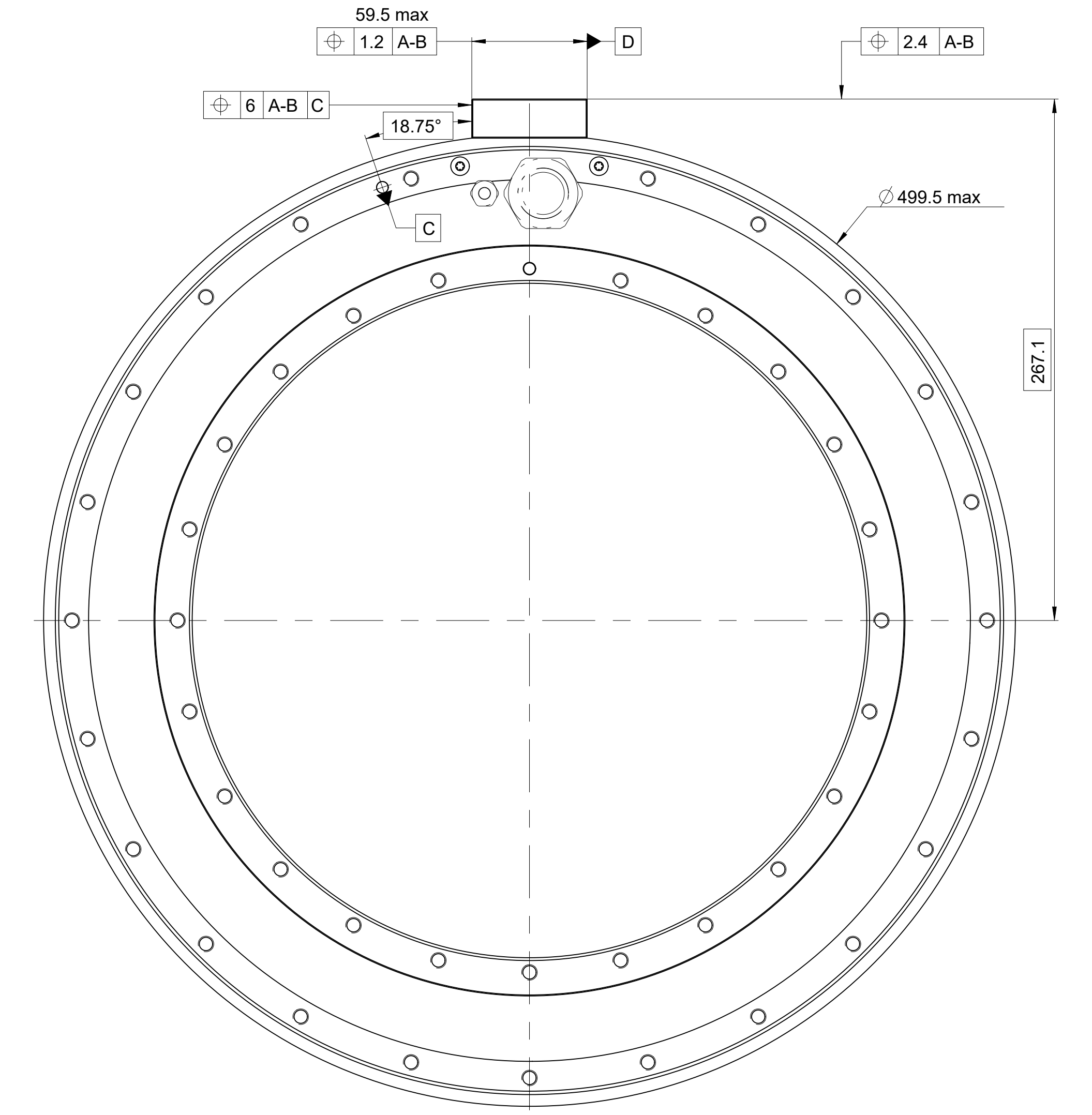
Designation	Output type	S=Wire section [mm ²]	L5 [mm]	L6 [mm]	H1 [mm]	H2 [mm]	D [mm]	SW [mm]	Bending radius [mm]
[-]	[-]								
TMB+0450-###-VA#S#	Type 1	1.5	-	-	30.5	-	9.1	36	Static bending radius for: - sensor cable = 30 - power cable = 4x ØD
TMB+0450-###-VA#E#	Type 2		51.5	-	38.6	22.8			
TMB+0450-###-WA#S#	Type 1		-	-	30.5	-			
TMB+0450-###-VA#E#	Type 2	4	51.5	-	38.6	22.8	11.9		
TMB+0450-###-VB#S#	Type 1		-	-	32.5	-			
TMB+0450-###-VB#E#	Type 2		53.5	-	38.6	22.8			
TMB+0450-030 to 070-WB#S#	Type 1	6	-	-	32.5	-	14.5		
TMB+0450-030 to 070-WB#E#	Type 2		53.5	-	38.6	22.8			
TMB+0450-100 to 200-WB#S#	Type 1		-	-	35.5	-			
TMB+0450-100 to 200-WB#E#	Type 2	10	59	-	45.9	26.8	17.5		
TMB+0450-###-VD#S#	Type 1		-	-	38.5	-			
TMB+0450-###-VD#E#	Type 2		62	-	45.9	26.8			
TMB+0450-###-VH#S#	Type 3	16	-	158.5	-	-	21.6		
TMB+0450-###-VH#E#	Type 4		-	-	38.5	-			
TMB+0450-###-WD#S#	Type 1		-	-	33	-			
TMB+0450-###-WD#E#	Type 2	16	65.5	-	48.3	25.7	21.6		
TMB+0450-###-WH#S#	Type 3		-	-	33	-			
TMB+0450-###-WH#E#	Type 4		-	148	-	-			

Text:		ID number:	C075986-36
Original drawing Scale: 1:2 Format: A1		Change No.:	06.12.2021
Released:		Tolerances as per ISO 8015 : 2011 Tolerances selon ISO 8015 : 2011	
Dimensions in mm		Dimensions without tolerance Dimensions sans tolérances ± 0.2	
The reproduction, distribution and utilization of this document as well as the communication of its contents to others without express authorization is prohibited. Offenders will be held liable for the payment of damages. All rights reserved in the event of the grant of a patent, utility model or design. (ISO 18015)		Version Revision Sheet Page	
ETEL ETEL S.A. 2112 Möllers SWITZERLAND		1176871-05-C-01 2 of 2	

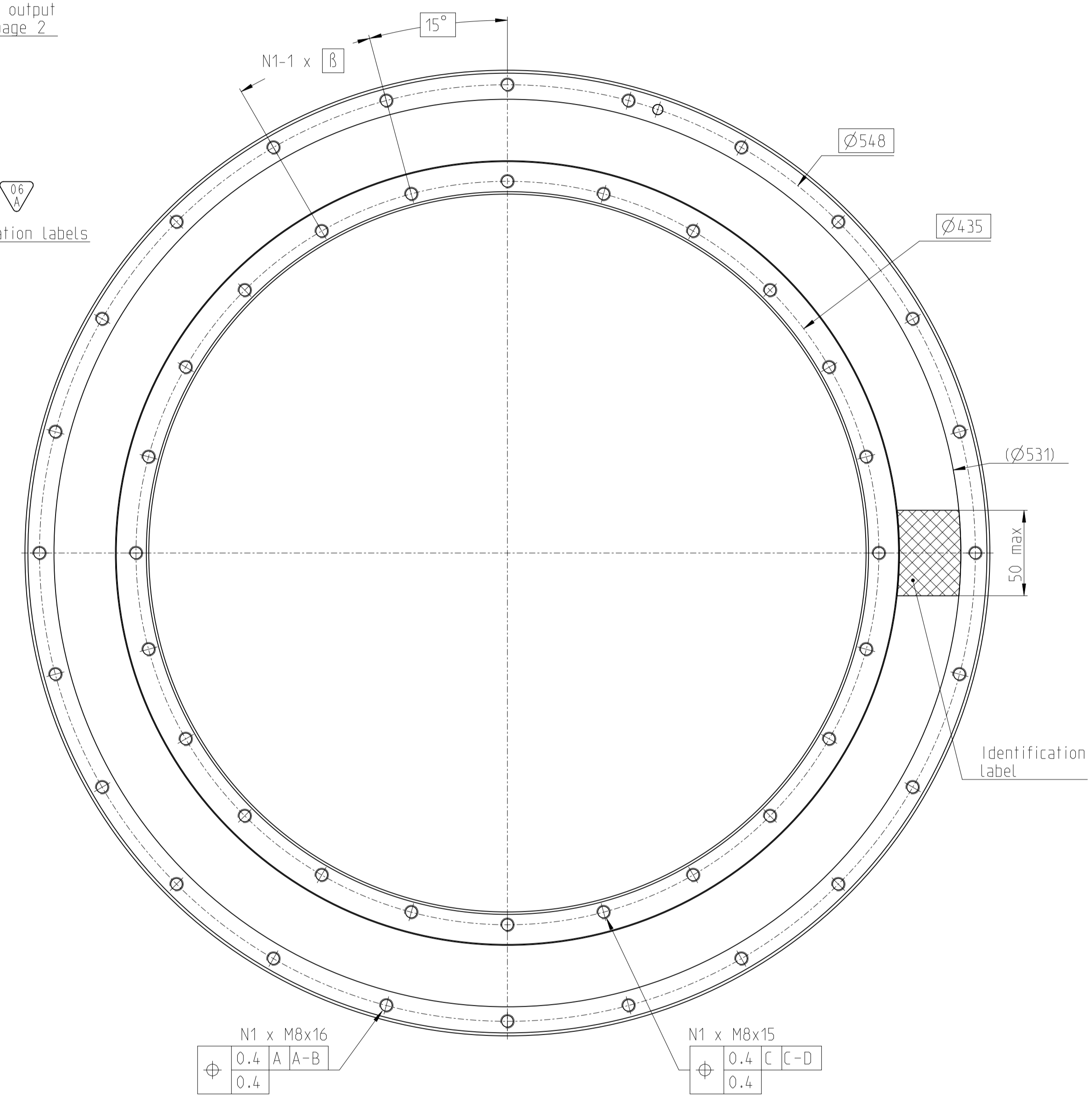
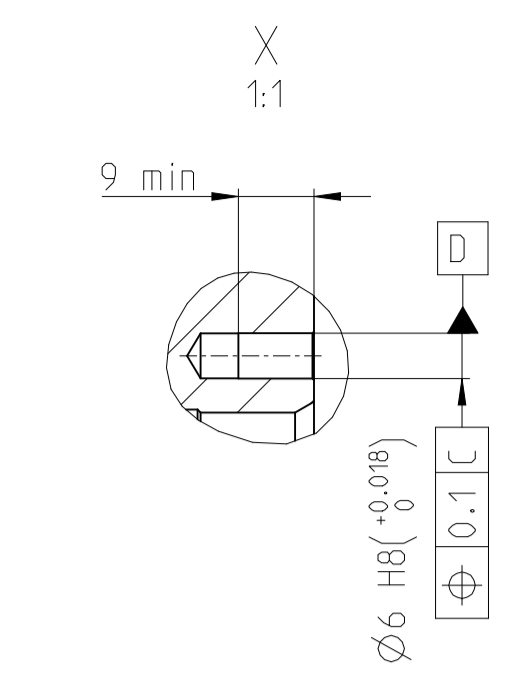
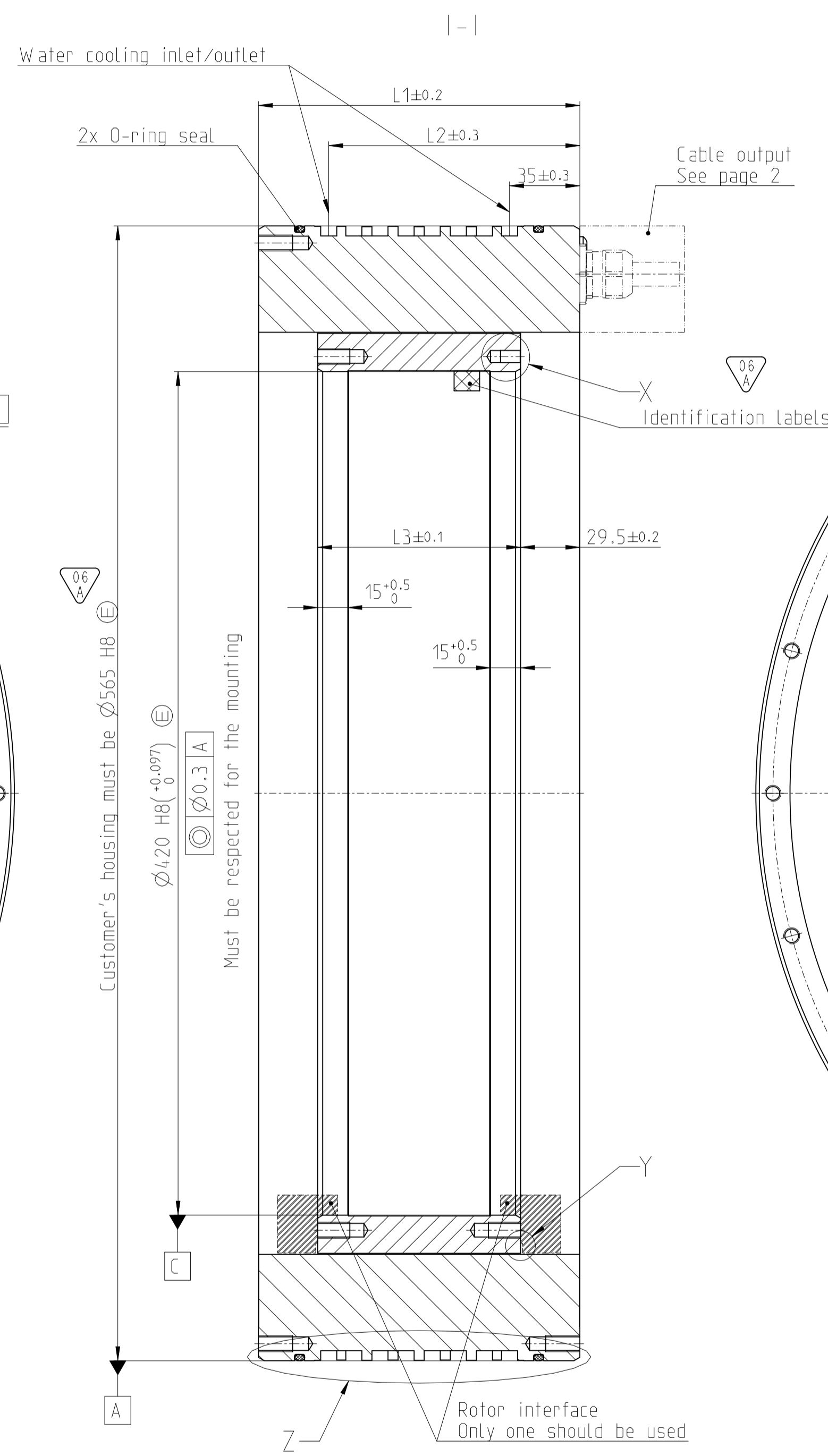
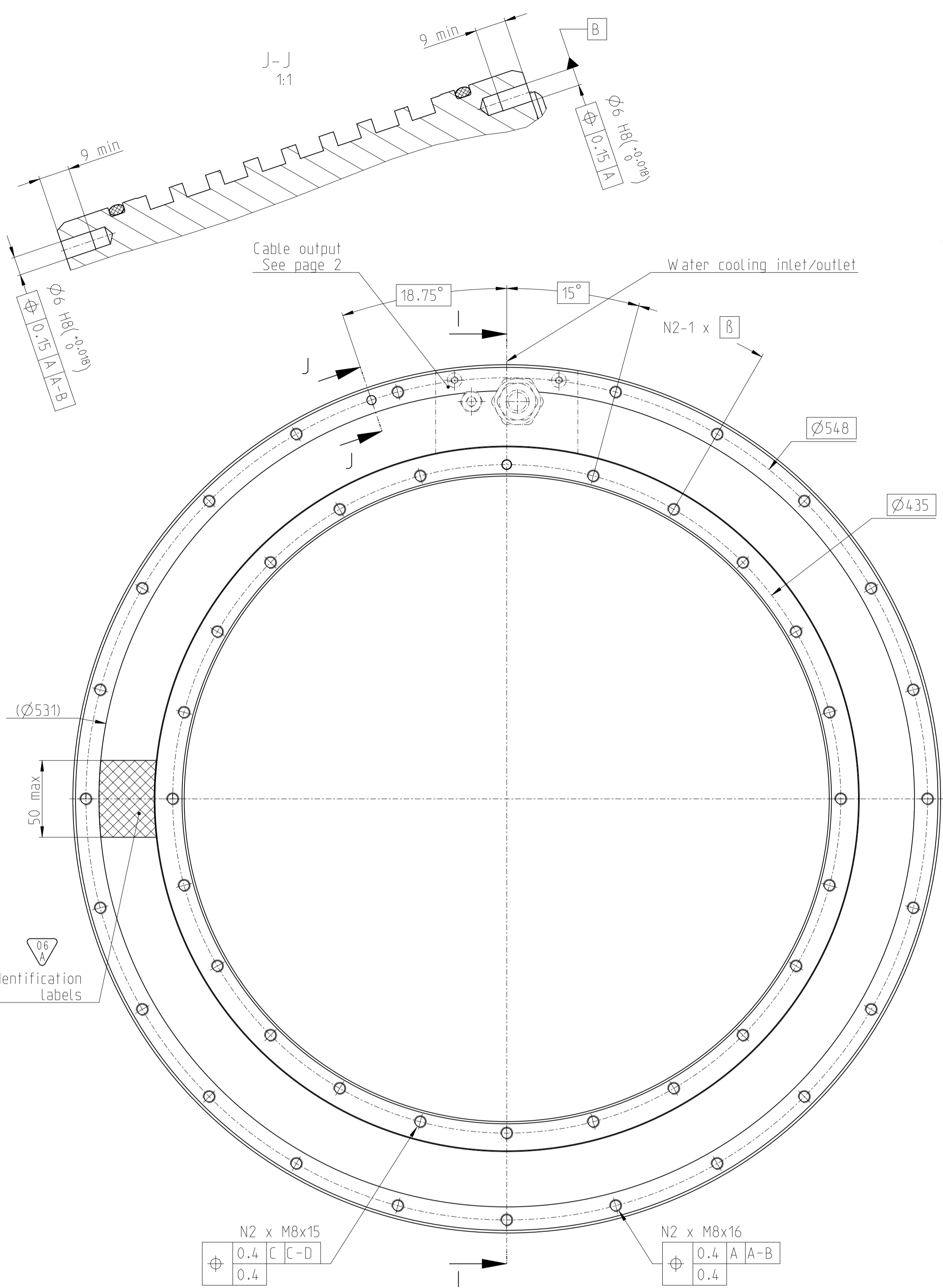
TMB+0450-###-#####-A#-AA0
 (Annex to interface drawing 1176871: please check for motor and cable output information)



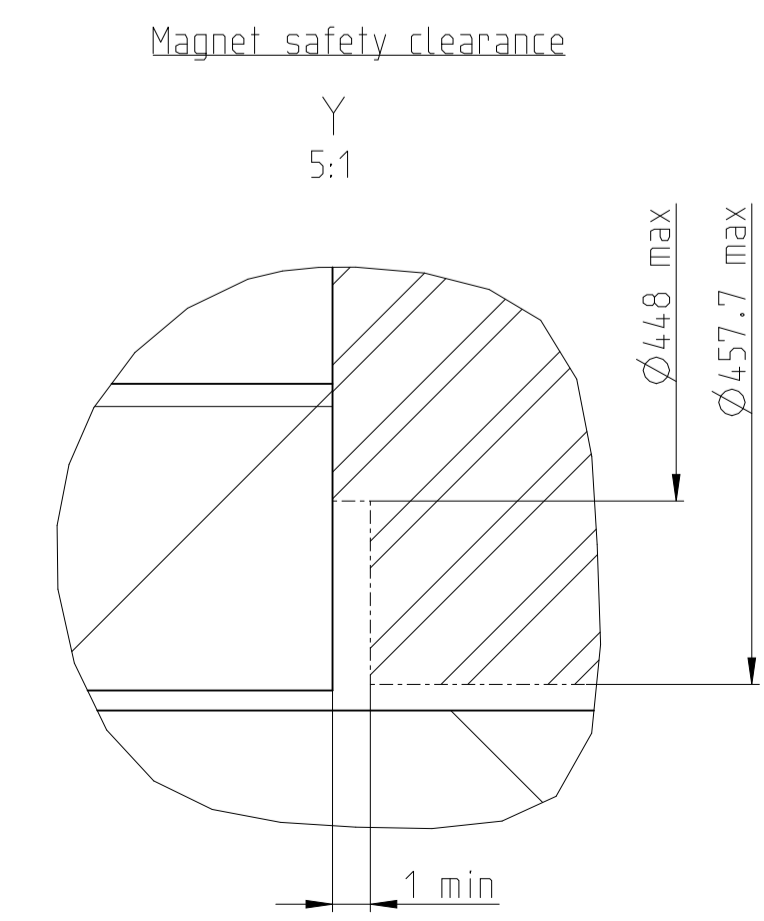
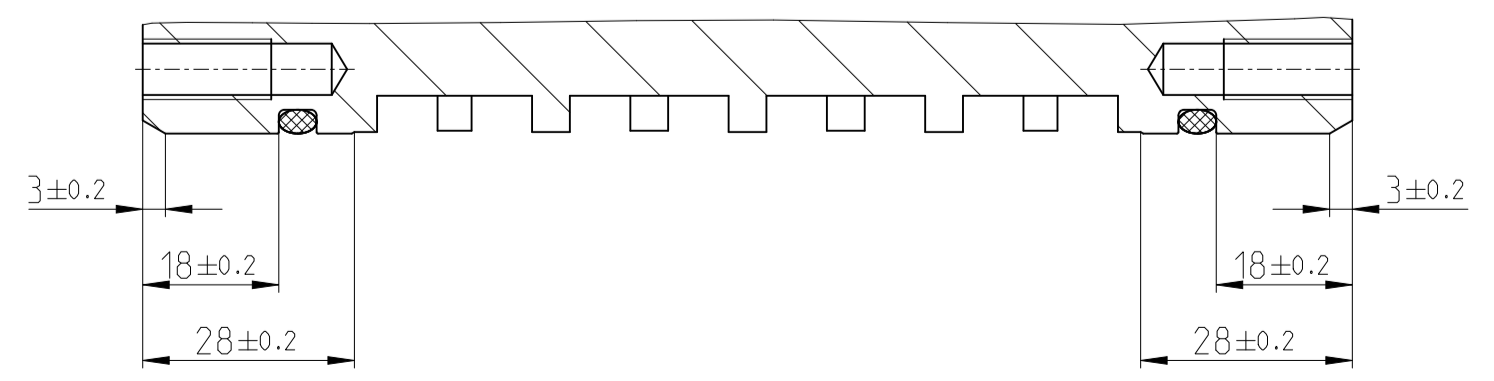
TMB+0450-###-#####-R#-AA0
 (Annex to interface drawing 1176871: please check for motor and cable output information)



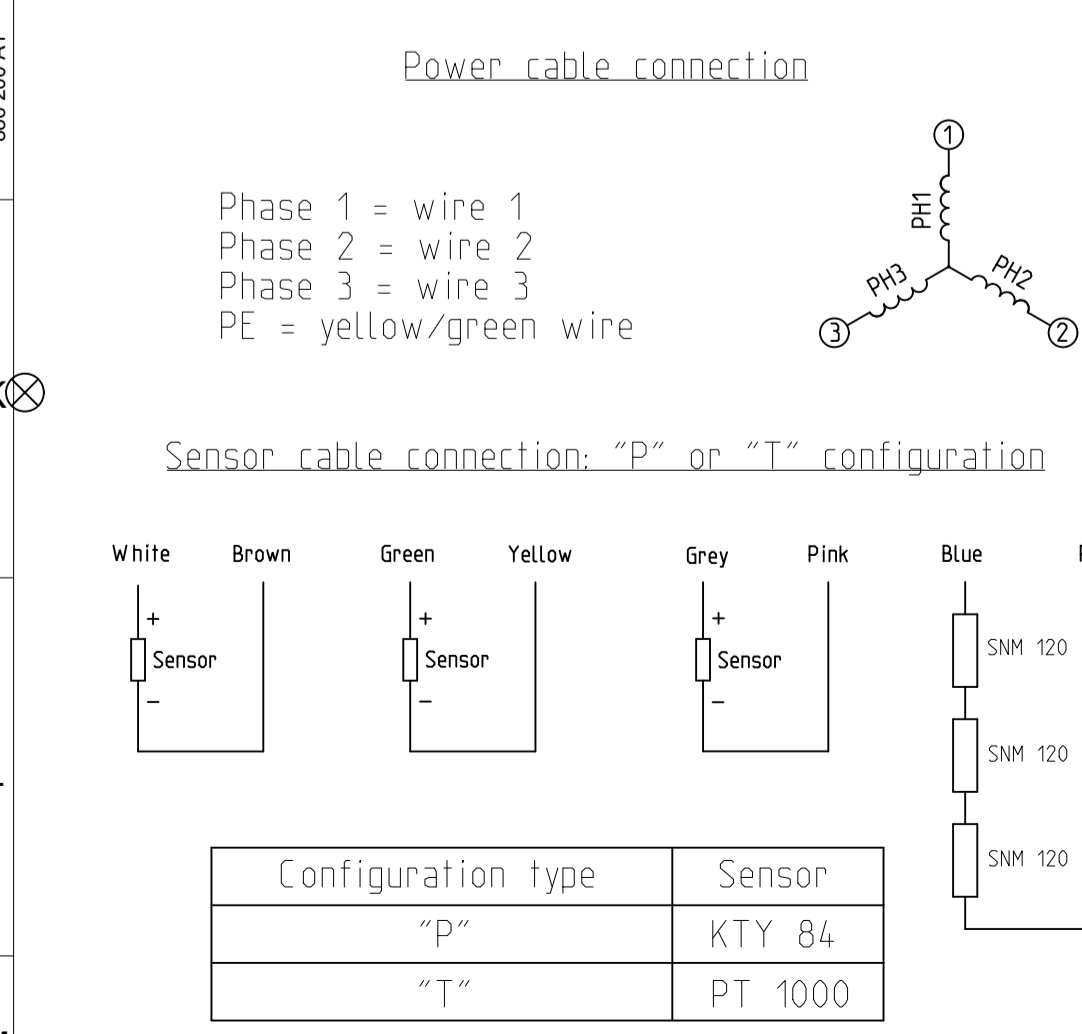
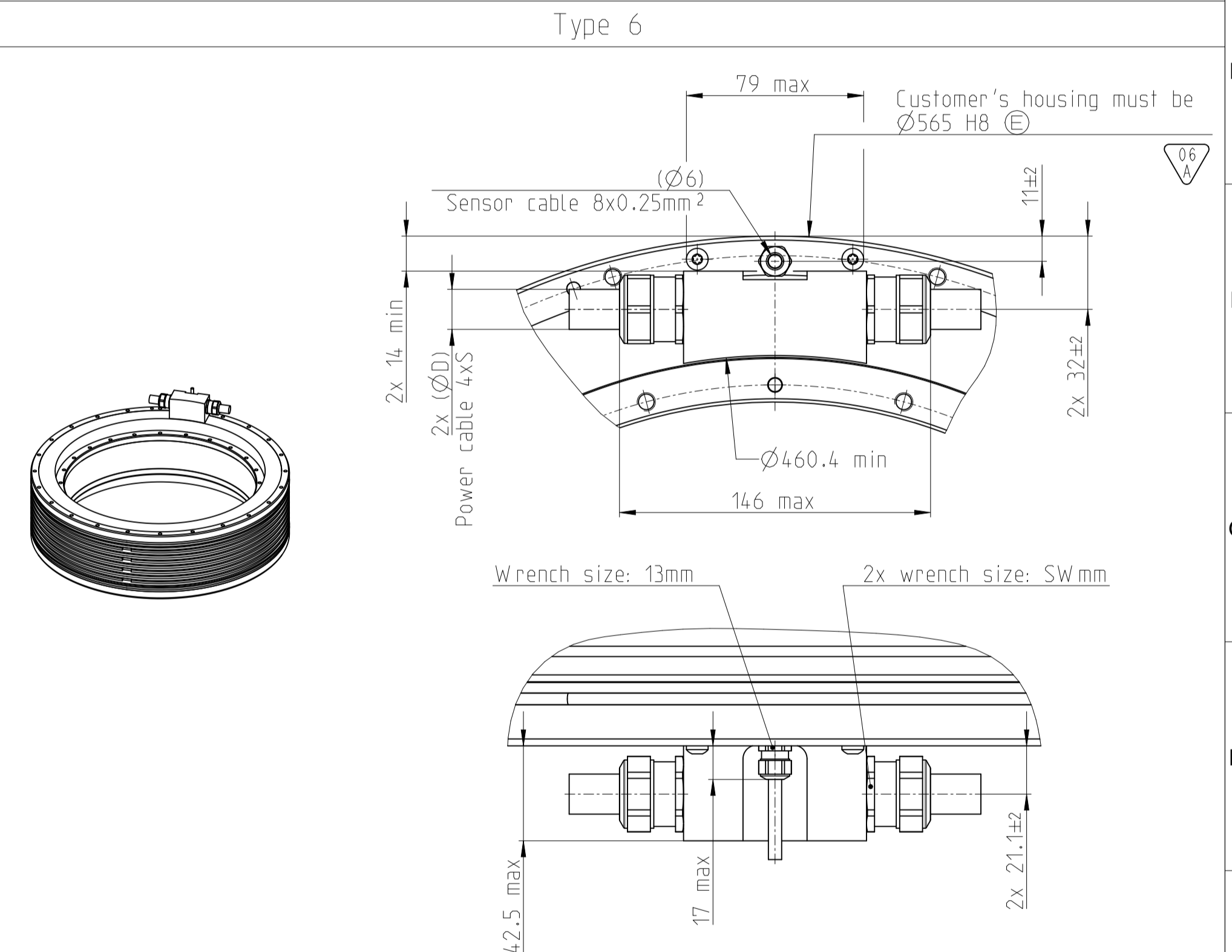
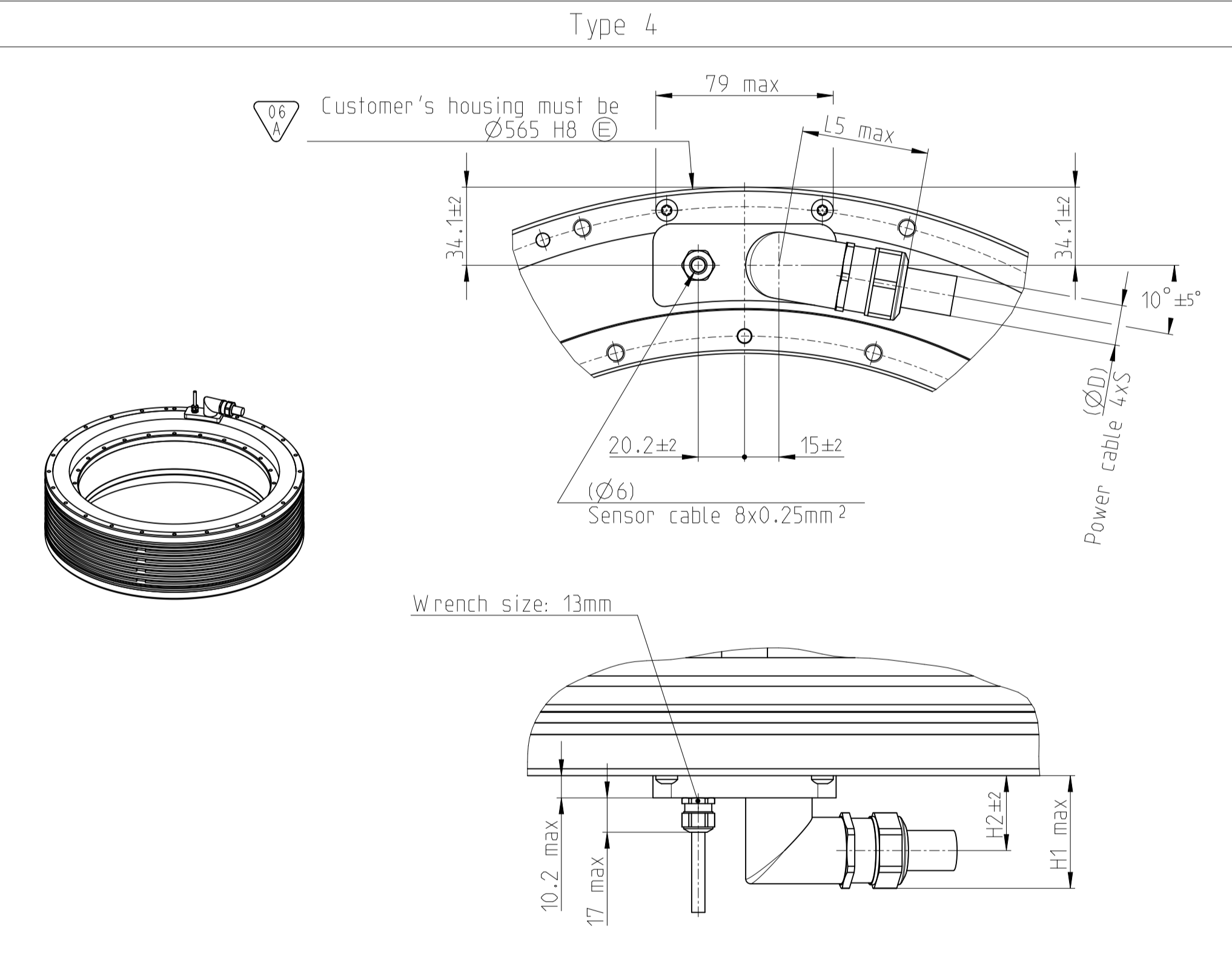
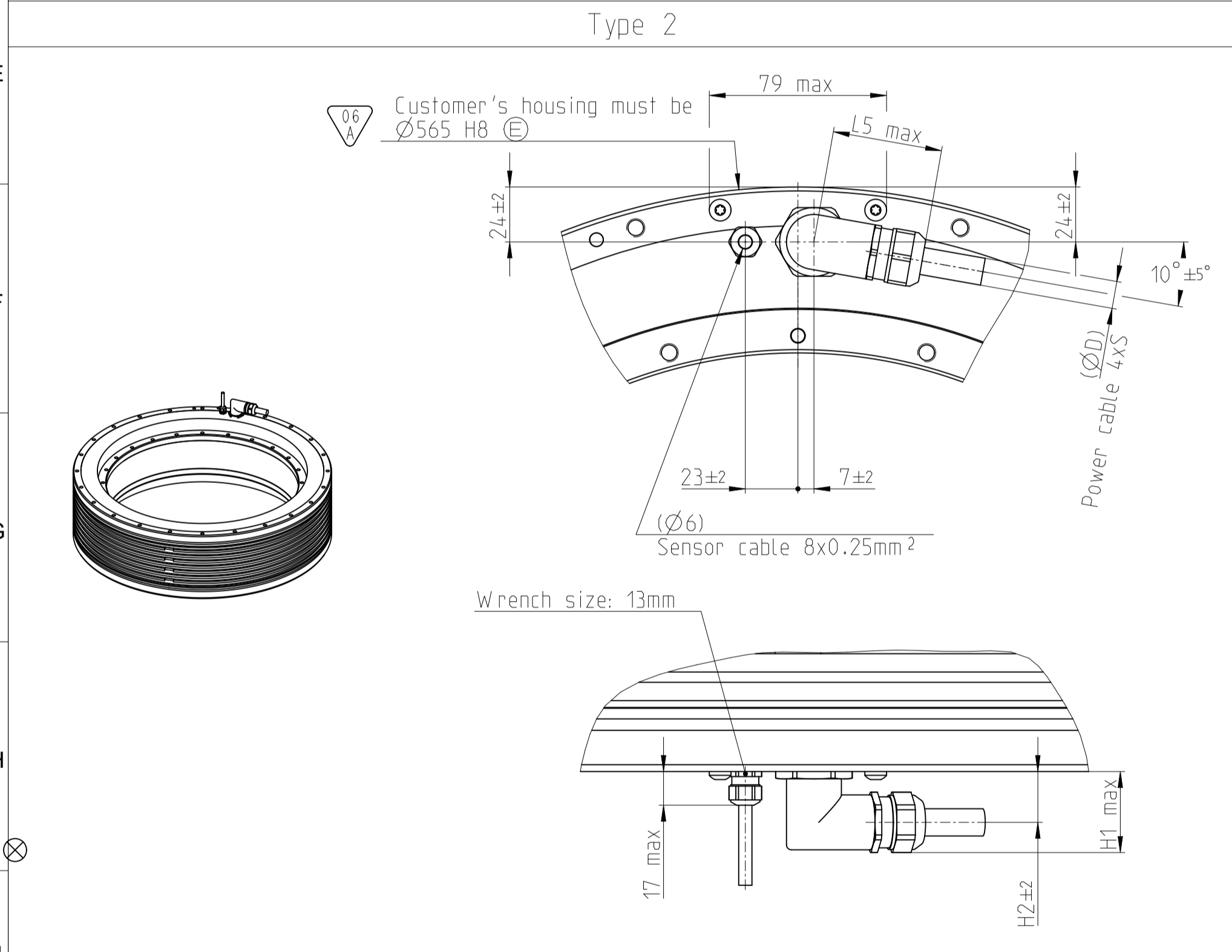
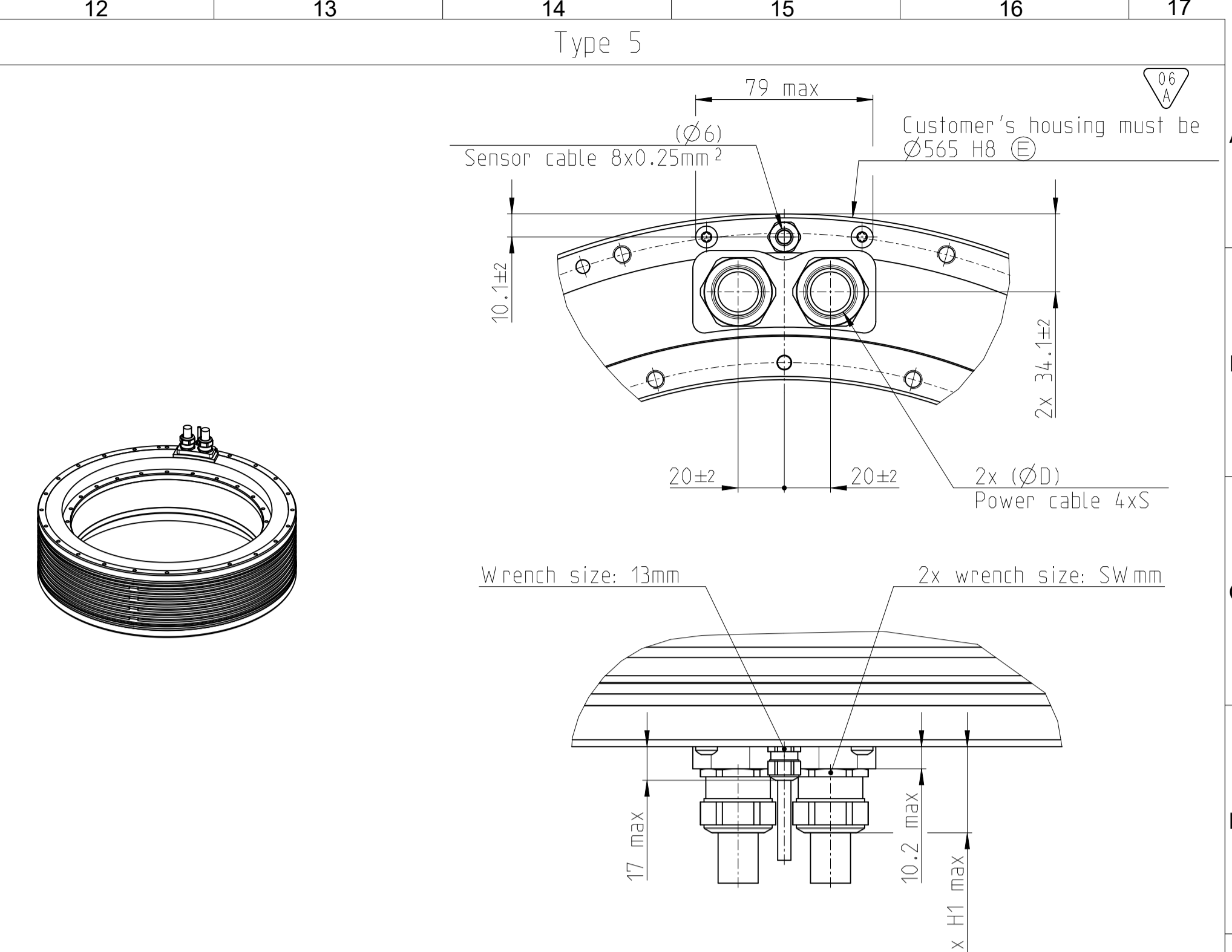
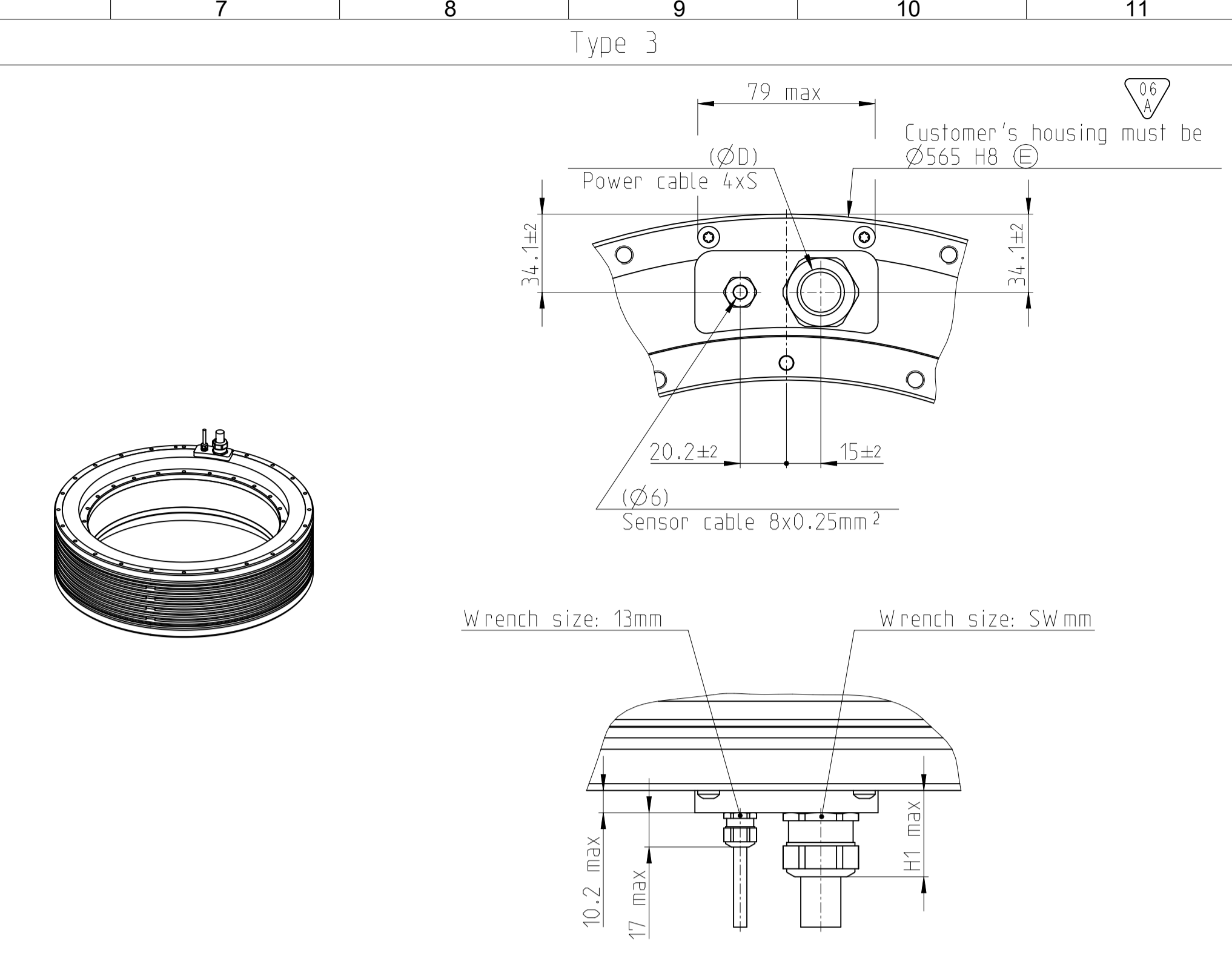
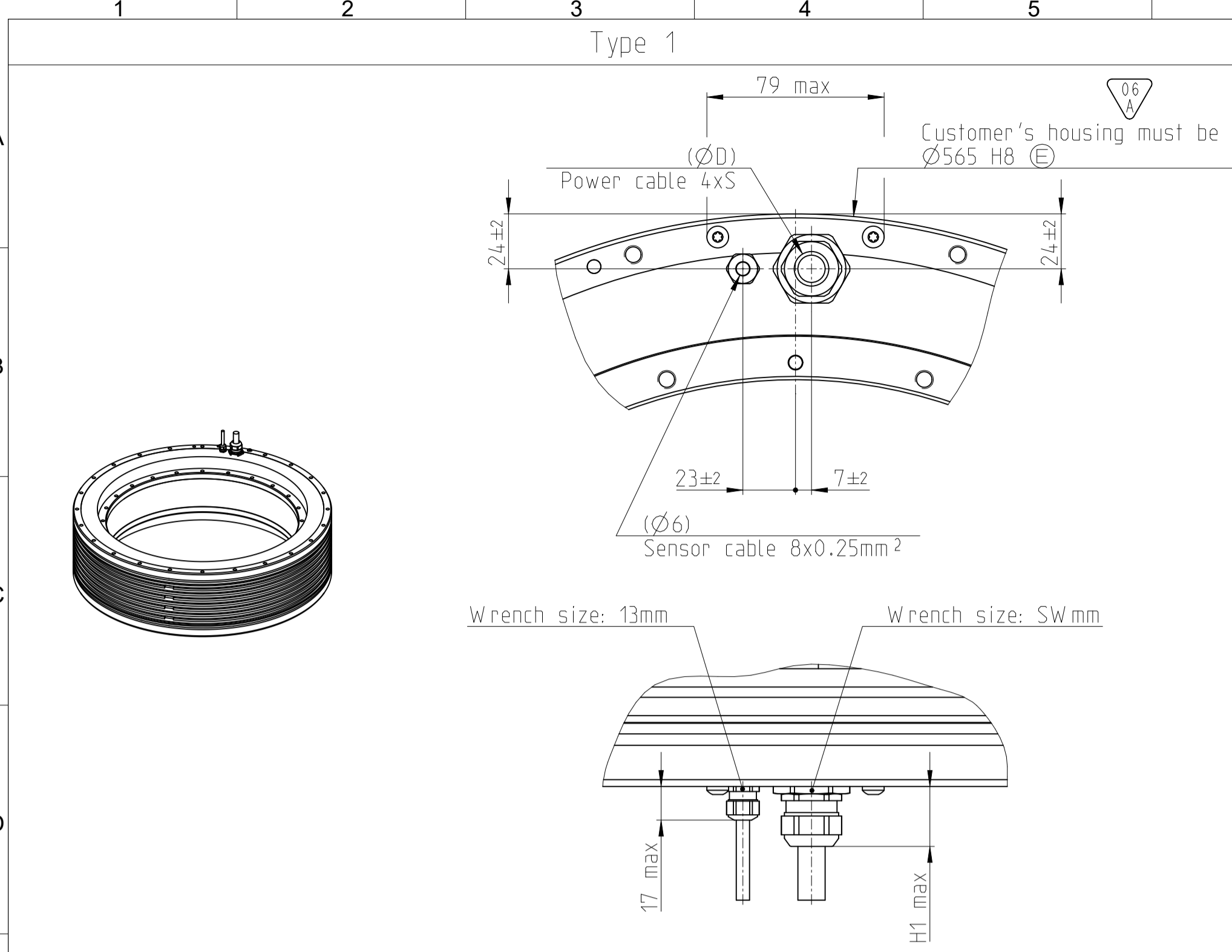
Designation	L2
TMB+0450-030	63
TMB+0450-050	83
TMB+0450-070	103
TMB+0450-100	133
TMB+0450-150	183
TMB+0450-200	233



Designation	L1	L2	L3	N1	N2	β
TMB+0530-050	110	75	51	12	12	30°
TMB+0530-070	130	95	71	12	12	30°
TMB+0530-100	160	125	101	24	23	15°
TMB+0530-150	210	175	151	24	23	15°
TMB+0530-200	260	225	202	24	23	15°



Text		ID number:
Original drawing	Scale	Change No. C075986-37
1:2	A1	Released: 14.12.2021
Dimensions in mm		Tolerances as per ISO 8015 : 2011
Mating Dimensions / Coles d'encastrement		Tolerances selon ISO 8015 : 2011
ETEL S.A.		Dimensions without tolerance $\pm 0,2$
2112 Möllers		Dimensions sans tolérances $\pm 0,2$
SWITZERLAND		
Version Revision Sheet Page		
1177038-06-A-01		1 of 2
Document number		

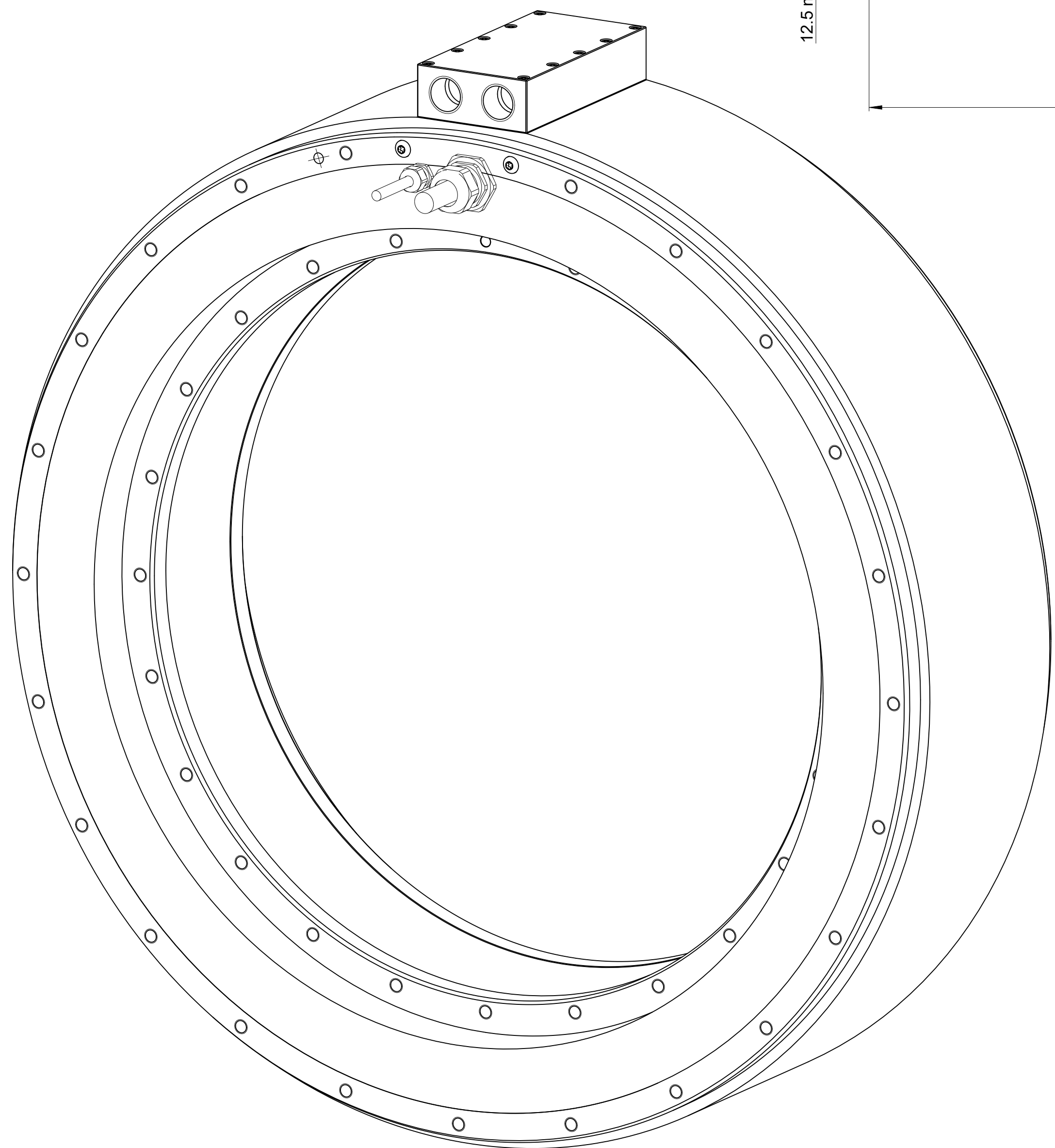
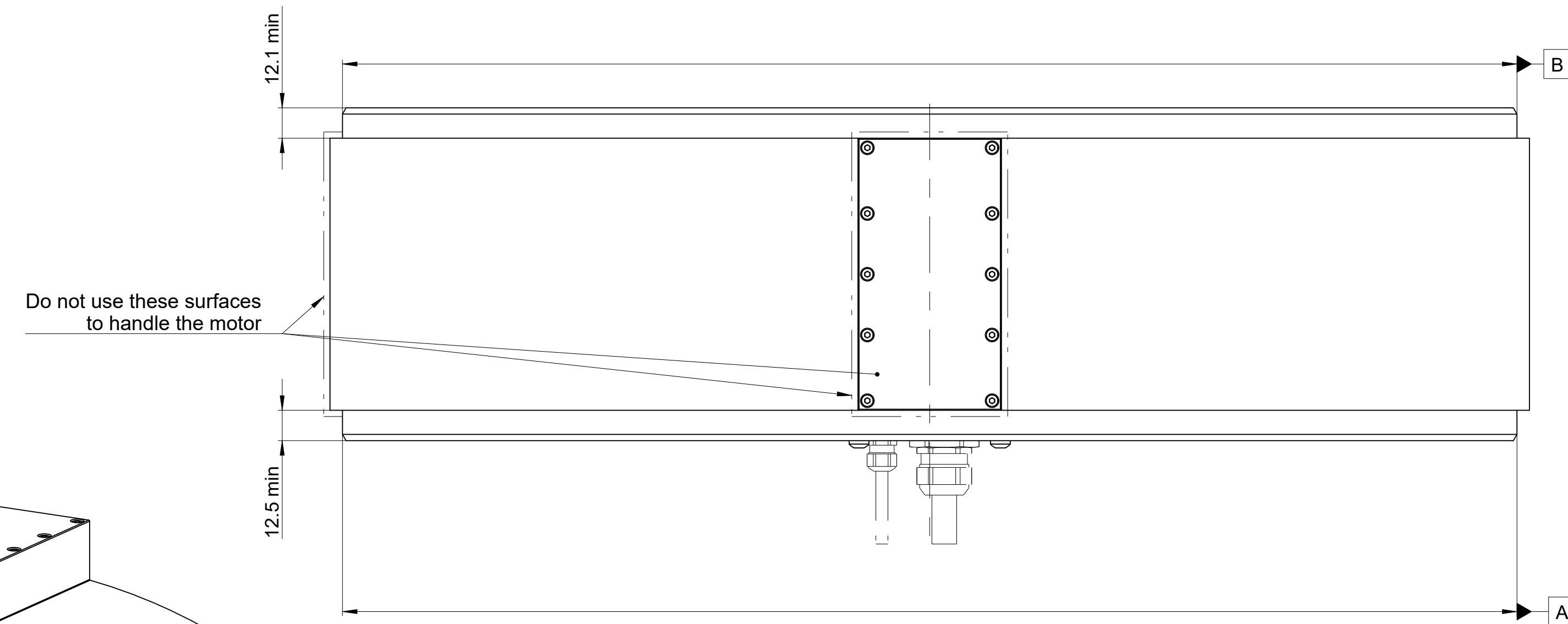
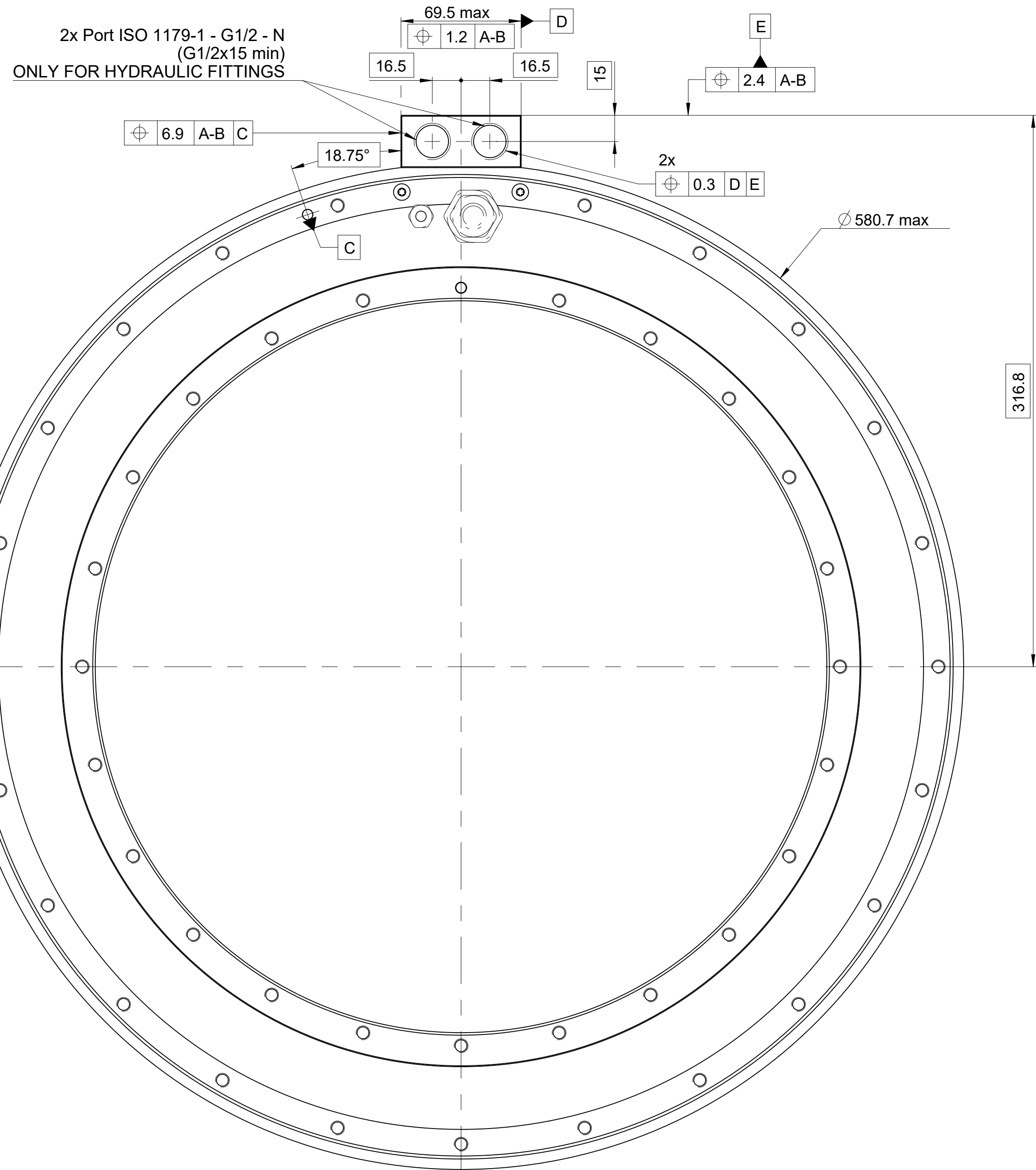


Motor family	0140	0175	0210	0290	0360	0450	0530	0760	0990	1221
White - Brown	Phase 1	Phase 3	Phase 2							
Green - Yellow	Phase 3	Phase 2	Phase 1							
Grey - Pink	Phase 2	Phase 1	Phase 3							

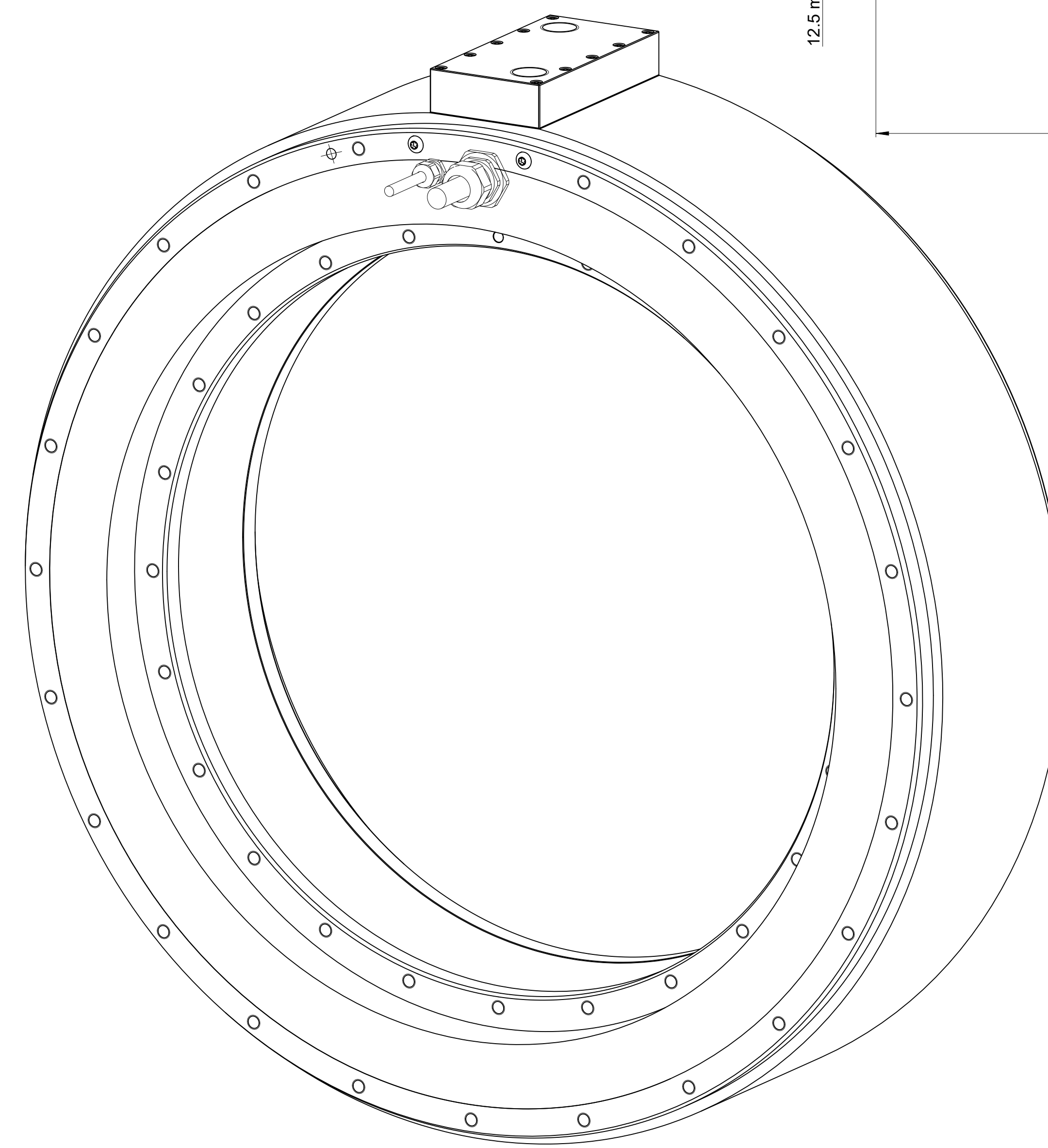
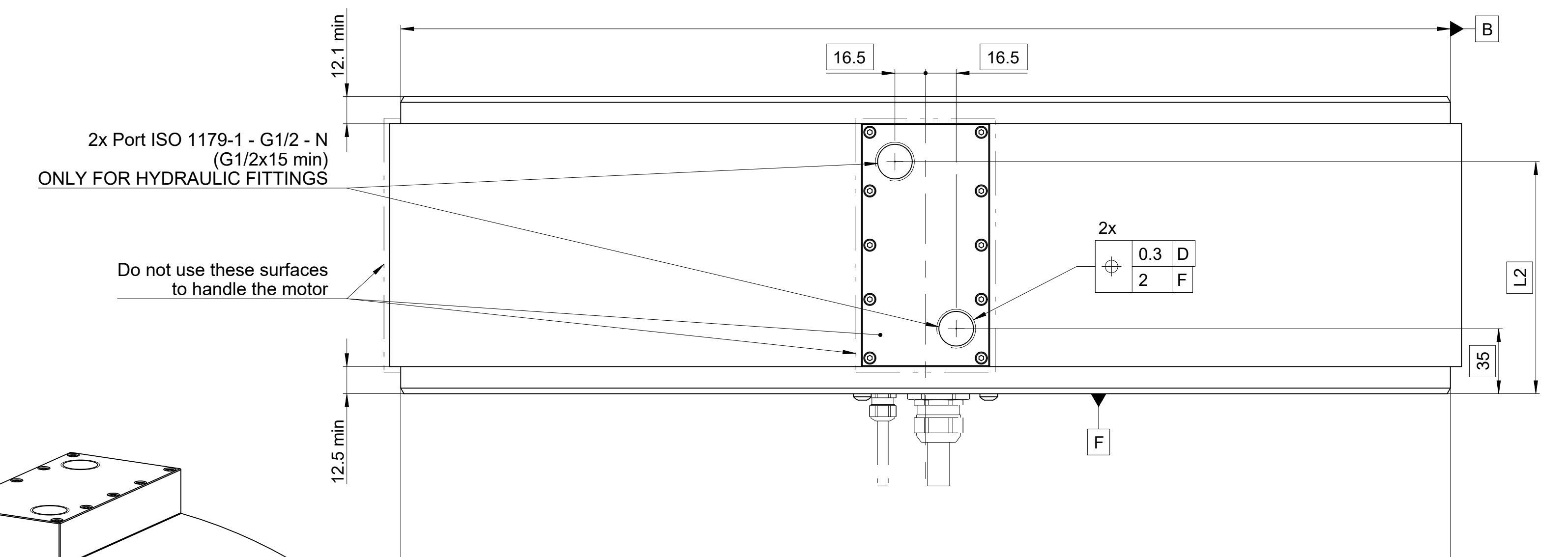
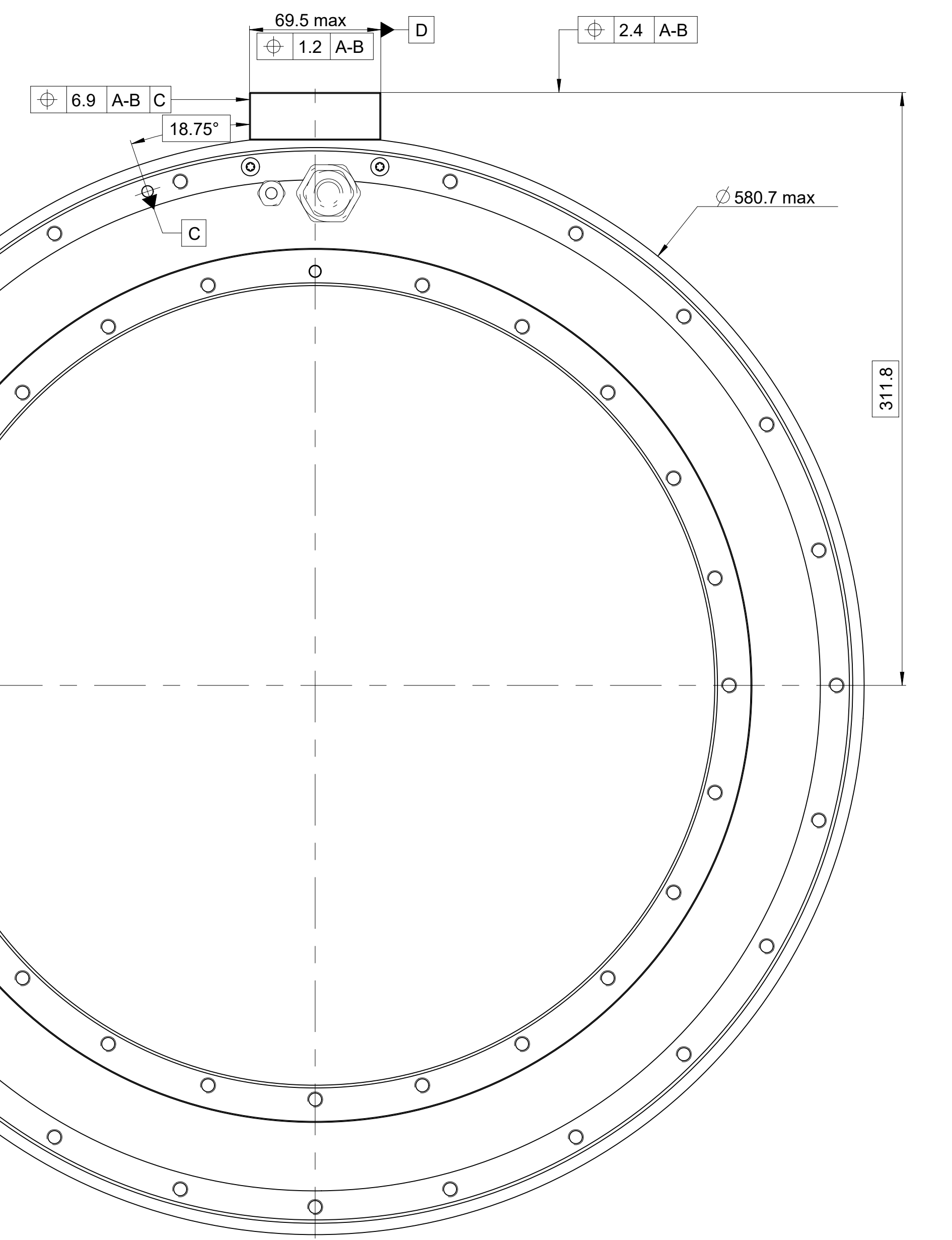
Designation	Output type	S=Wire section (mm ²)	L5 (mm)	H1 (mm)	H2 (mm)	D (mm)	SW (mm)	Bending radius (mm)
TMB+0530-###-W A#S#	Type 1	1.5	-	29.9	-	9.1	30	Static bending radius for: - sensor cable = 30 - power cable = 4x $\varnothing D$
TMB+0530-###-W A#E#	Type 2	1.5	51.5	38.1	22.3	9.1		
TMB+0530-###-W B#S#	Type 1	4	-	31.9	-	11.9		
TMB+0530-###-W B#E#	Type 2	4	53.5	38.1	22.3	11.9		
TMB+0530-###-UD#S#	Type 1	6	-	31.3	-	14.5		
TMB+0530-###-UD#E#	Type 2	6	59	41.8	22.7	14.5		
TMB+0530-###-W D#S#	Type 3	10	-	44	-	17.5		
TMB+0530-###-W D#E#	Type 4	10	62	51.8	32.7	17.5		
TMB+0530-###-W H#S#	Type 5	10	-	44	-	17.5		
TMB+0530-###-W H#E#	Type 6	10	-	-	-	17.5		

Text:		ID number:	C075986-37
Original drawing	Scale	Change No.	14.12.2021
Released:	Format	Tolerances as per ISO 8015 : 2011	
Dimensions in mm	1:2 A1	Tolerances selon ISO 8015 : 2011	
TMB+0530-###-####-O#-AA0		Dimensions without tolerance	± 0.2
Mating Dimensions / Coles d'encastrement		Dimensions sans tolérances	
The reproduction, distribution and utilization of this document as well as the communication of its contents to others without express authorization is prohibited. Offenders will be held liable for the payment of damages. All rights reserved in the event of the grant of a patent, utility model or design. (ISO 18015)			
ETEL ETEL S.A. 2112 Möllers SWITZERLAND		Version Revision Sheet Page	1177038-06-A-01 2 of 2

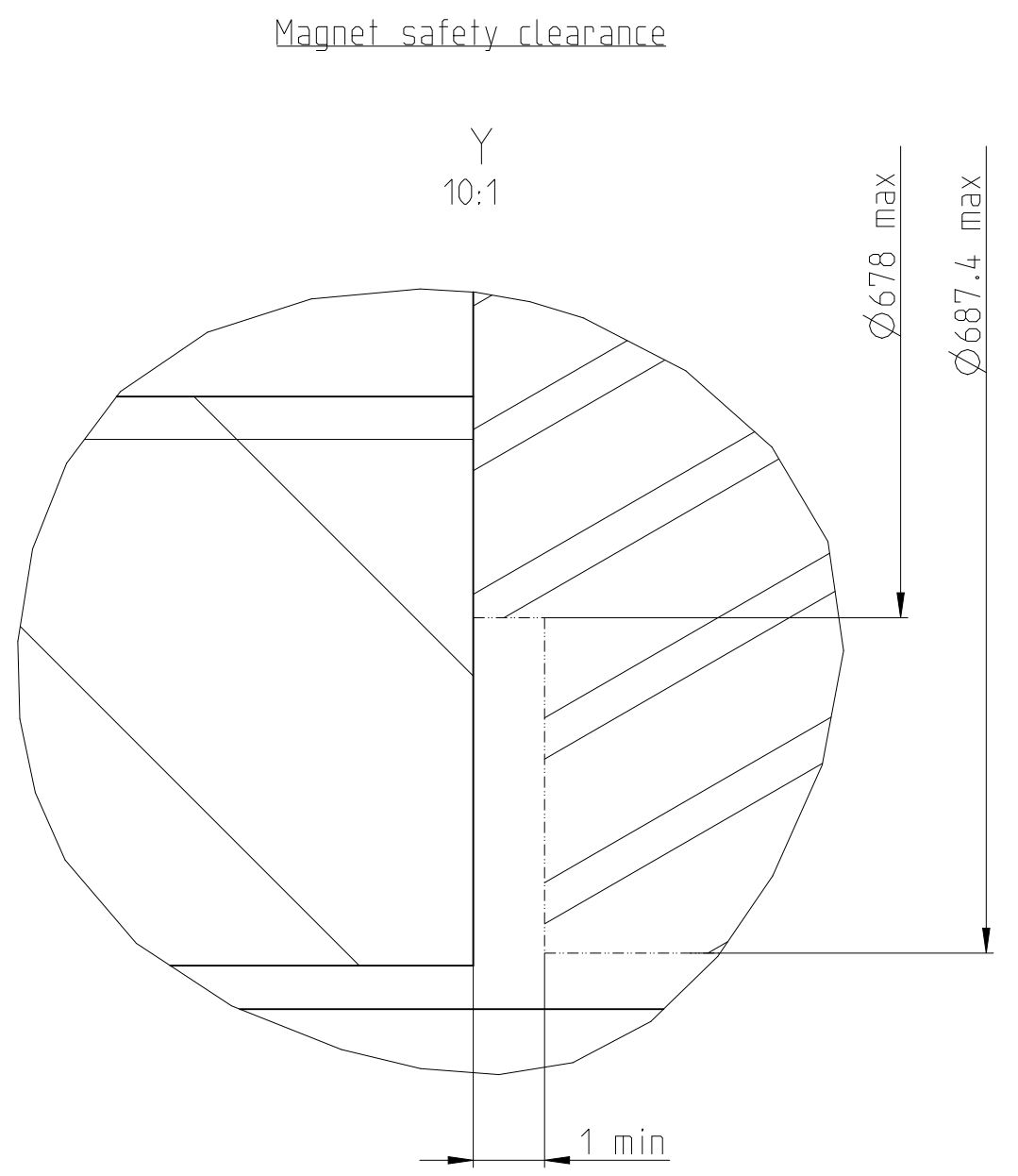
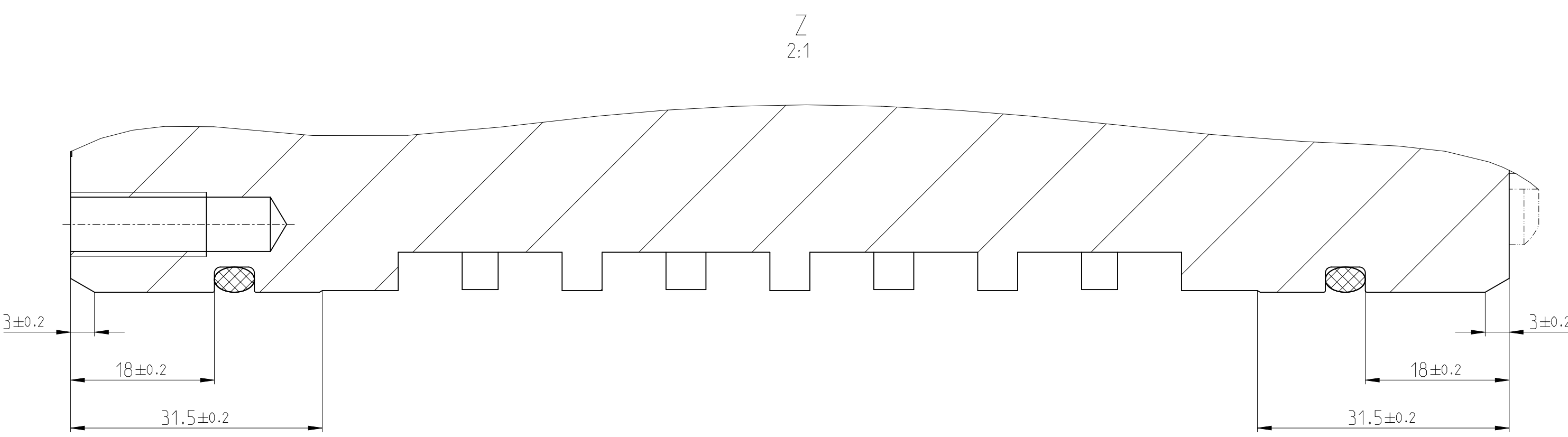
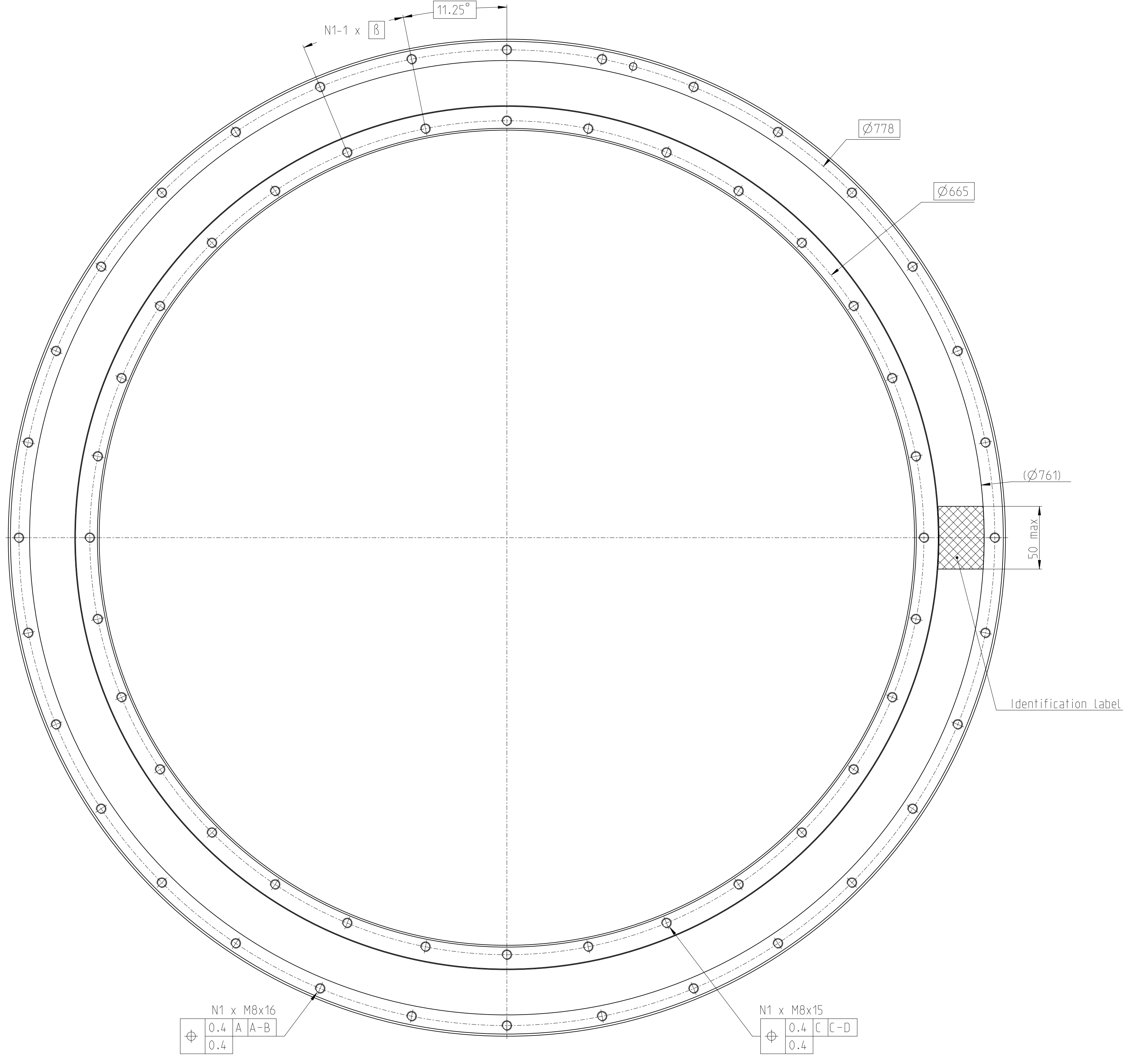
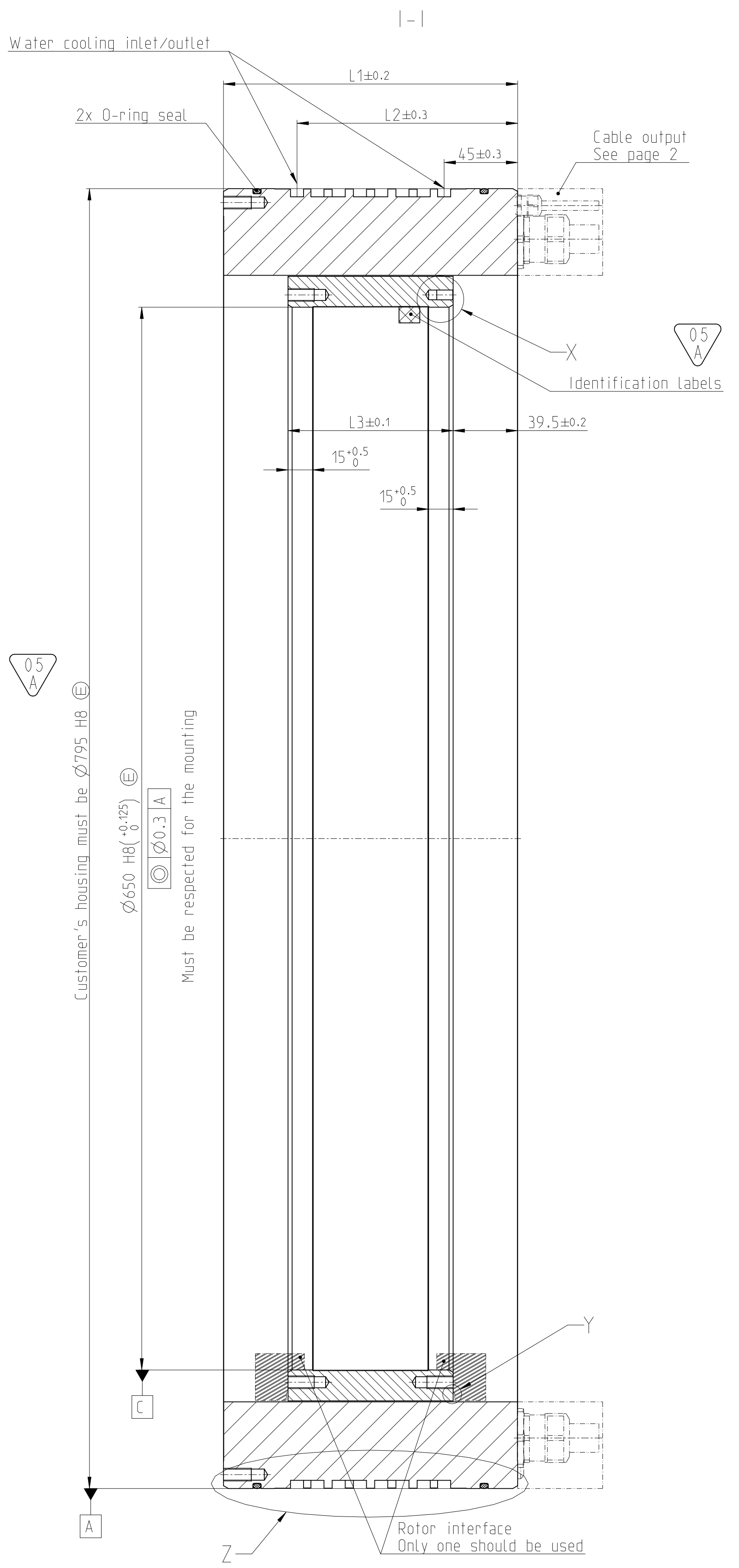
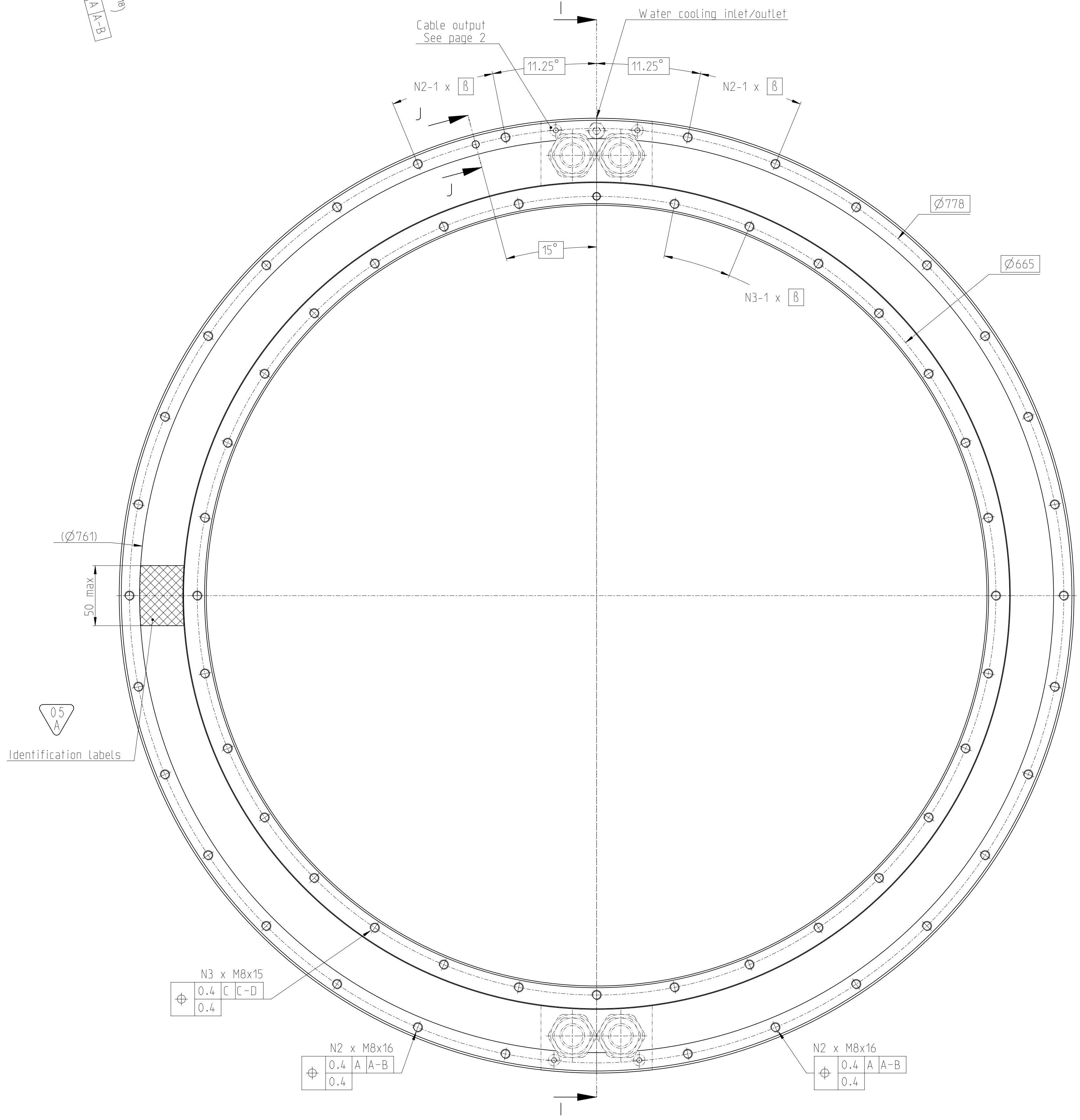
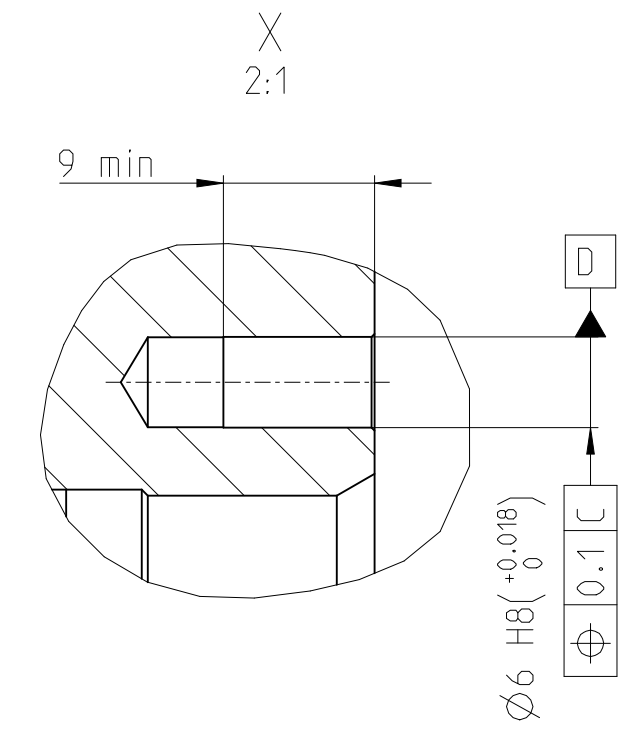
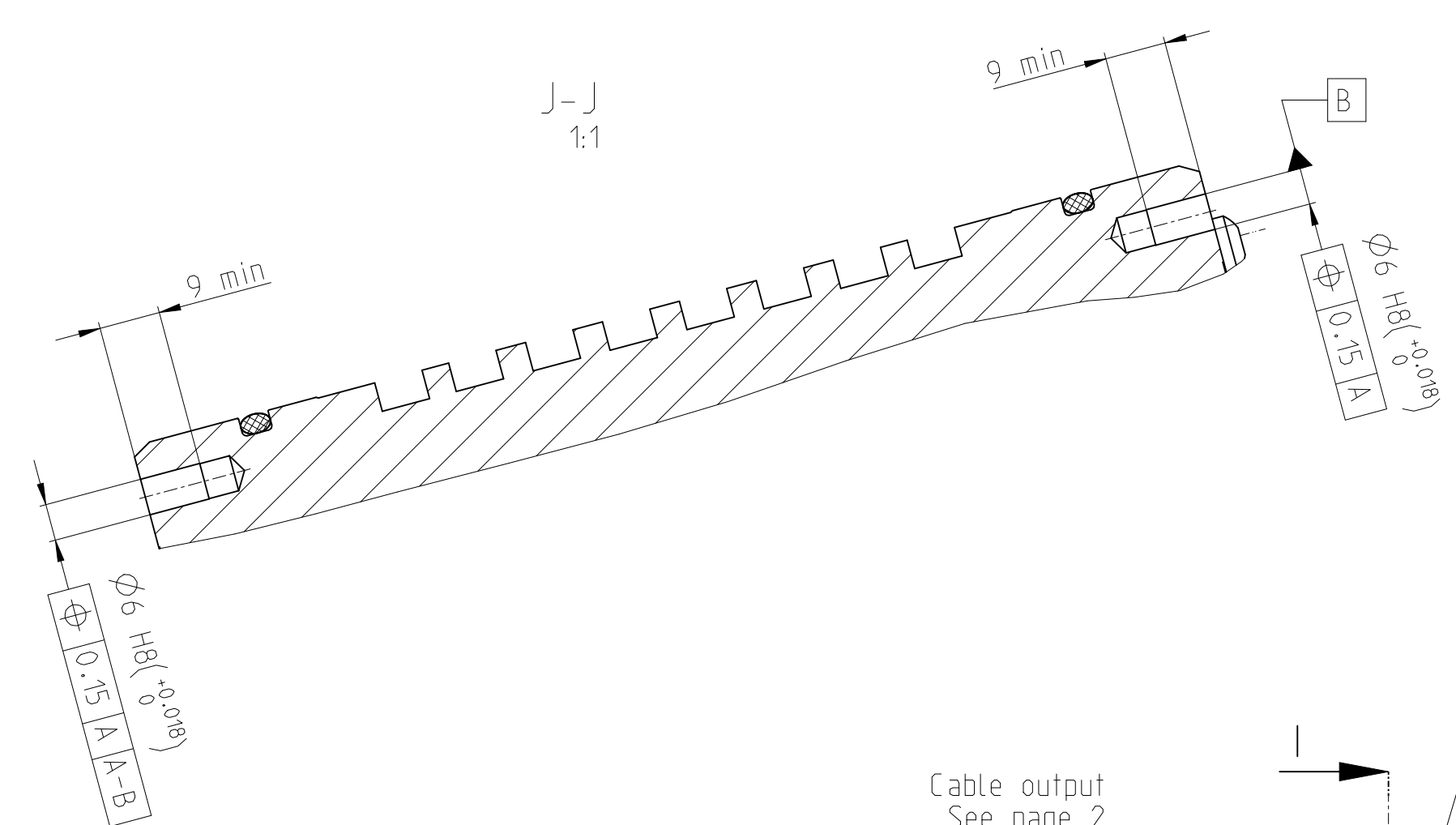
TMB+0530-###-#####-A#-AA0
 (Annex to interface drawing 1177038: please check for motor and cable output information)



TMB+0530-###-#####-R#-AA0
 (Annex to interface drawing 1177038: please check for motor and cable output information)



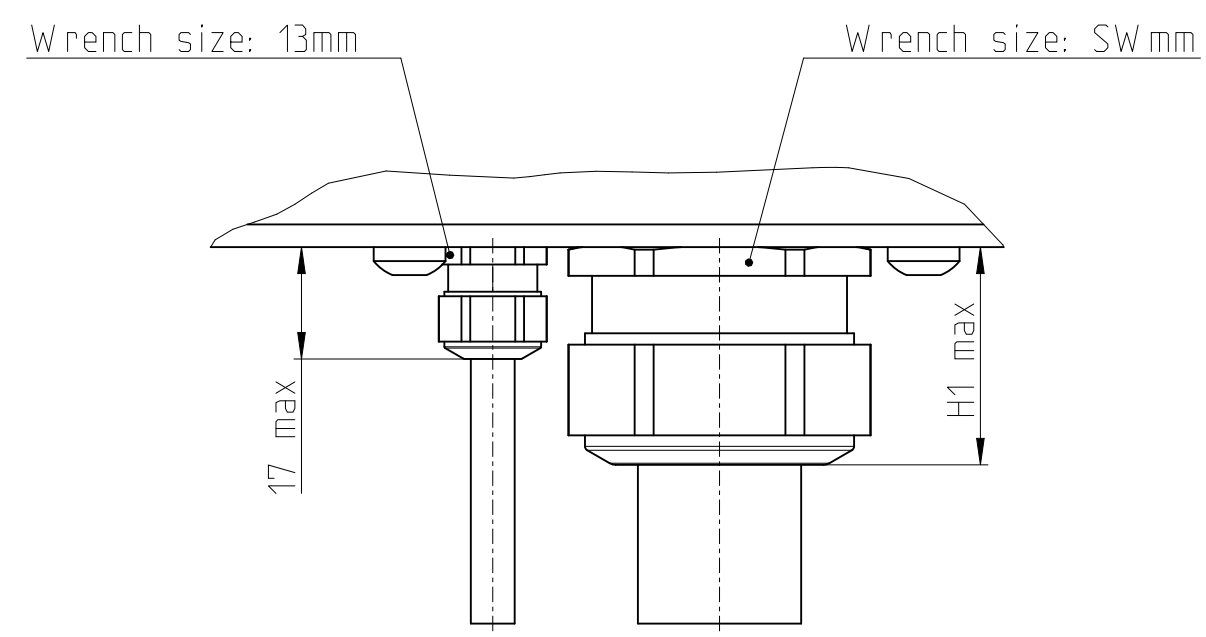
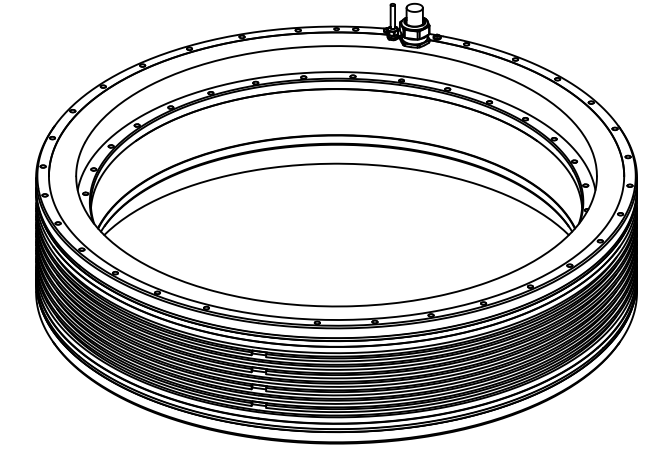
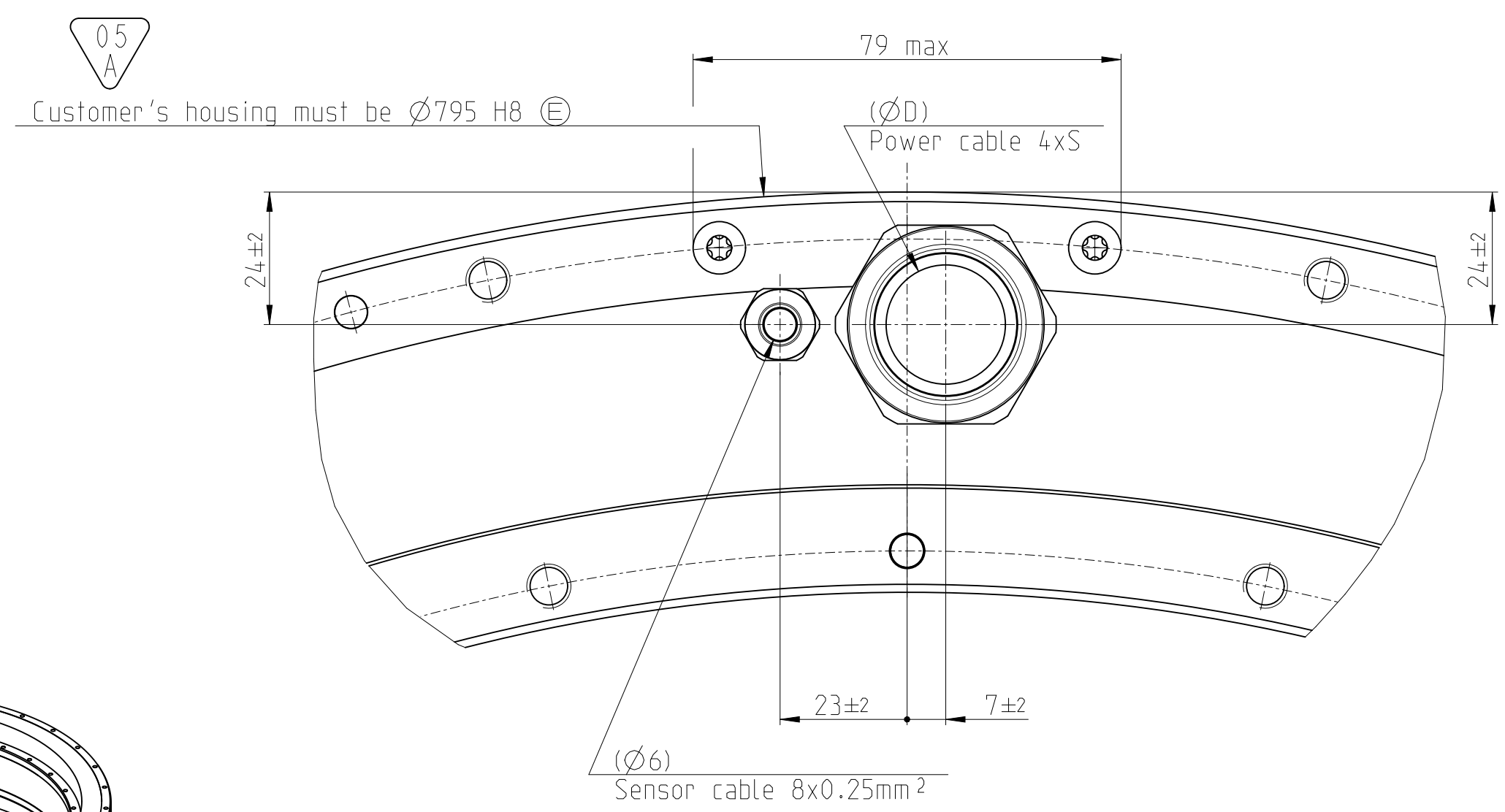
Designation	L2
TMB+0530-050	75
TMB+0530-070	95
TMB+0530-100	125
TMB+0530-150	175
TMB+0530-200	225



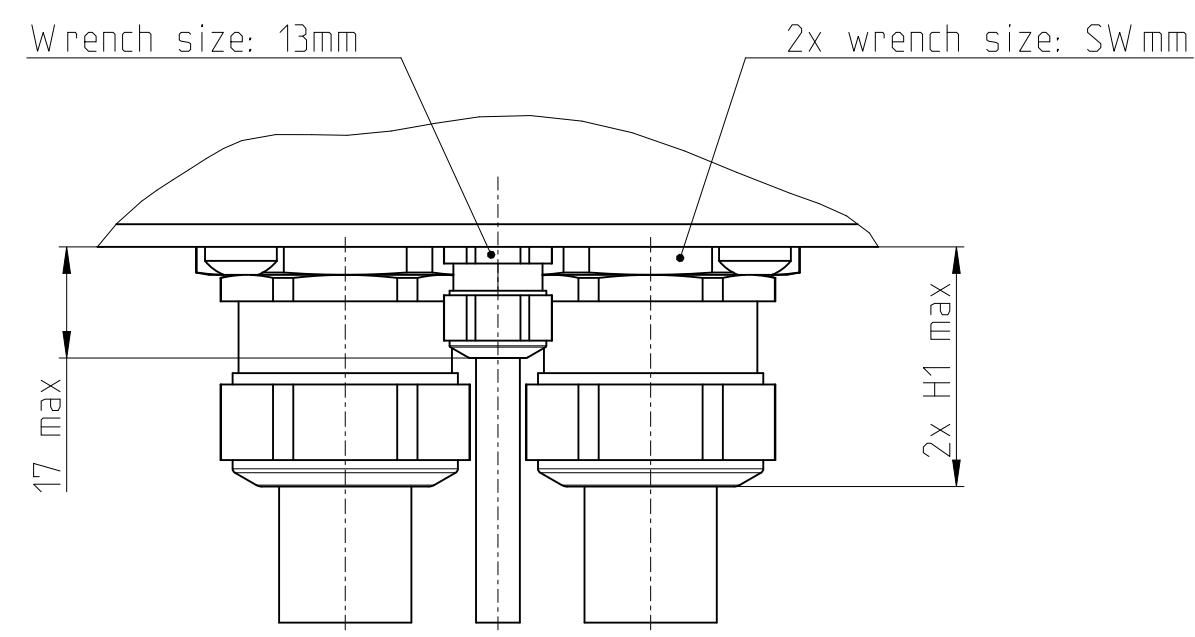
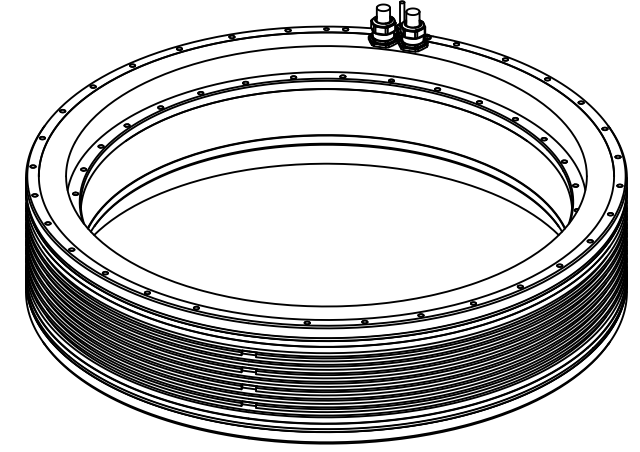
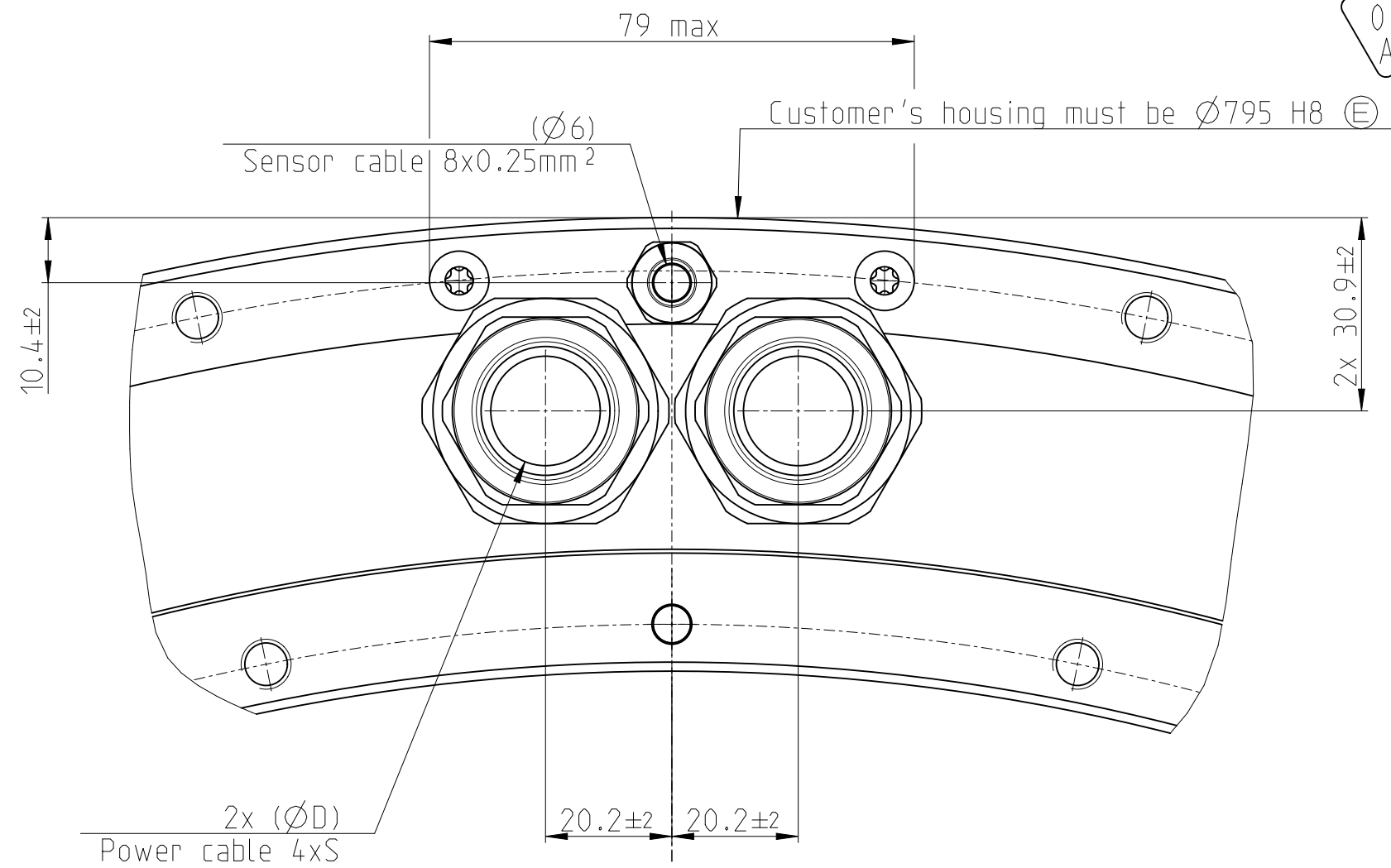
Designation	L1	L2	L3	N1	N2	N3	β
TMB+0760-050	130	85	51	16	8	16	22.5°
TMB+0760-070	150	105	71				
TMB+0760-100	180	135	101	32	15	31	11.25°
TMB+0760-150	230	185	151				
TMB+0760-200	280	235	202				

Text:		ID number:
Original drawing	TMB+0760-###-####-O#-AAO	00168638
State: I Form:	TMB+0760-###-####-O#-AAO	14.12.2011
Dimensions in mm:	1:2 A0	Tolerances as per ISO 8015: 2011 Tolerances series ISO 8015: 2011
The reproduction, distribution and utilization of this document as well as the communication of its contents to others without express authorization is prohibited. Offenders will be held liable for the payment of damages. All rights reserved in the event of the grant of a patent, utility model or design. (ISO 16016)		Dimensions without tolerance: 0.2
ETEL S.A. 2112 Möhrle SWITZERLAND		1177077-05-A-01

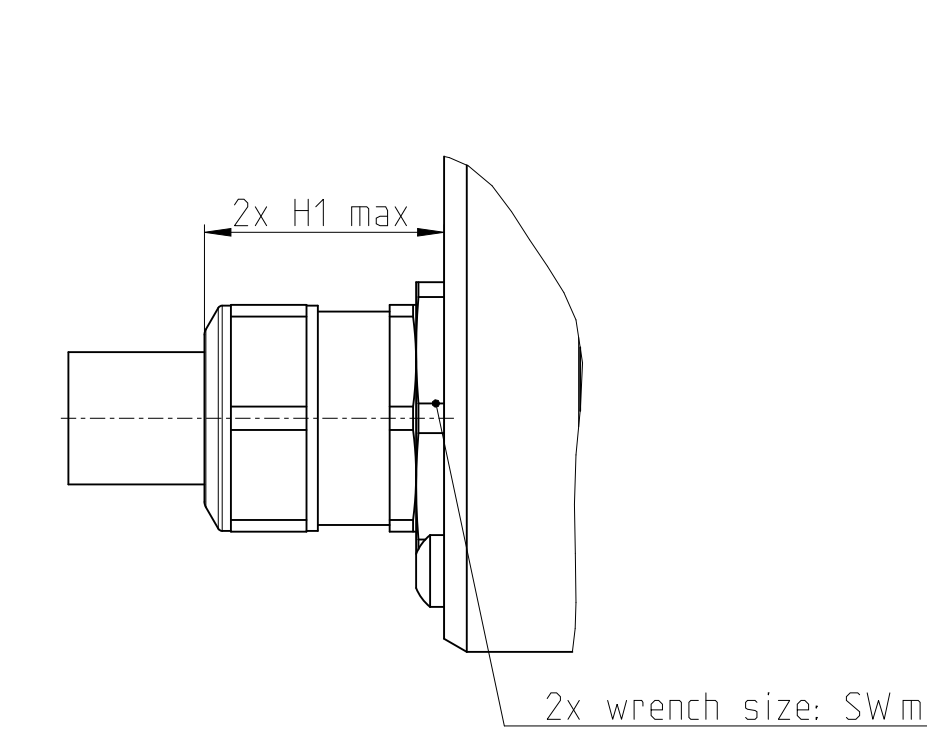
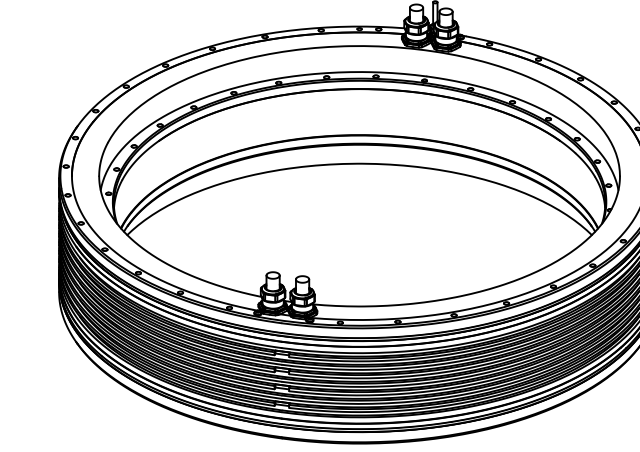
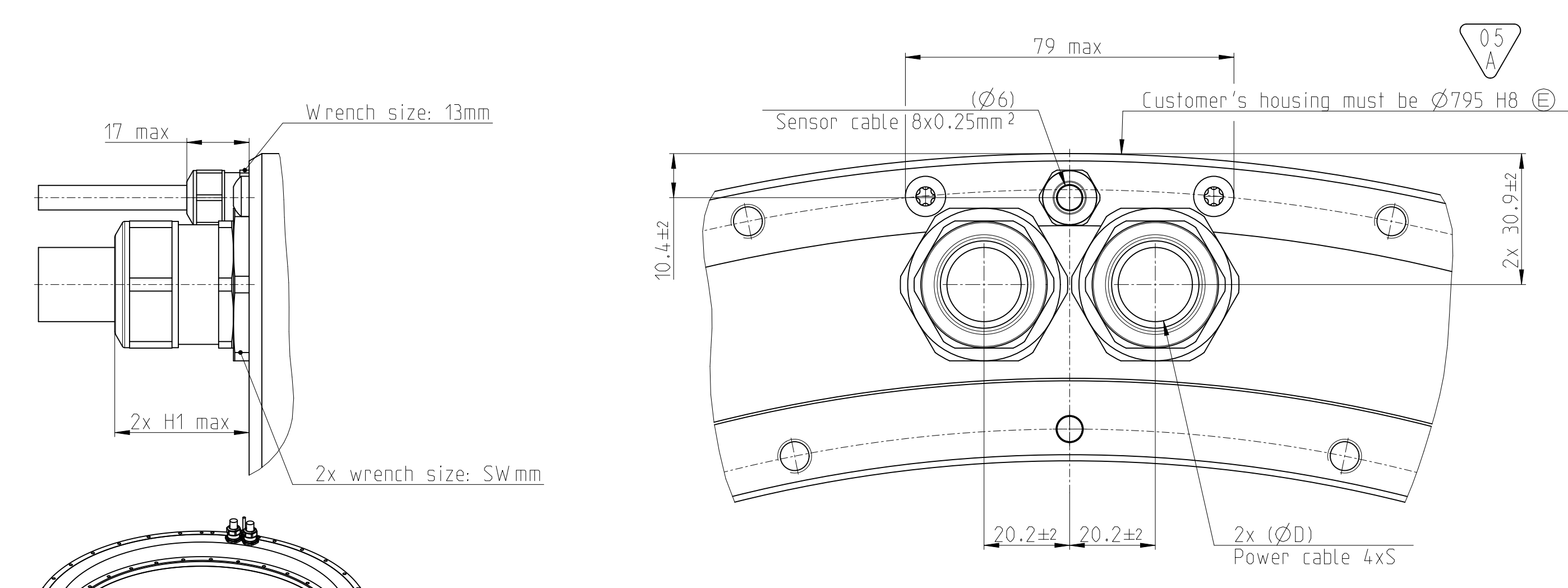
Type 1



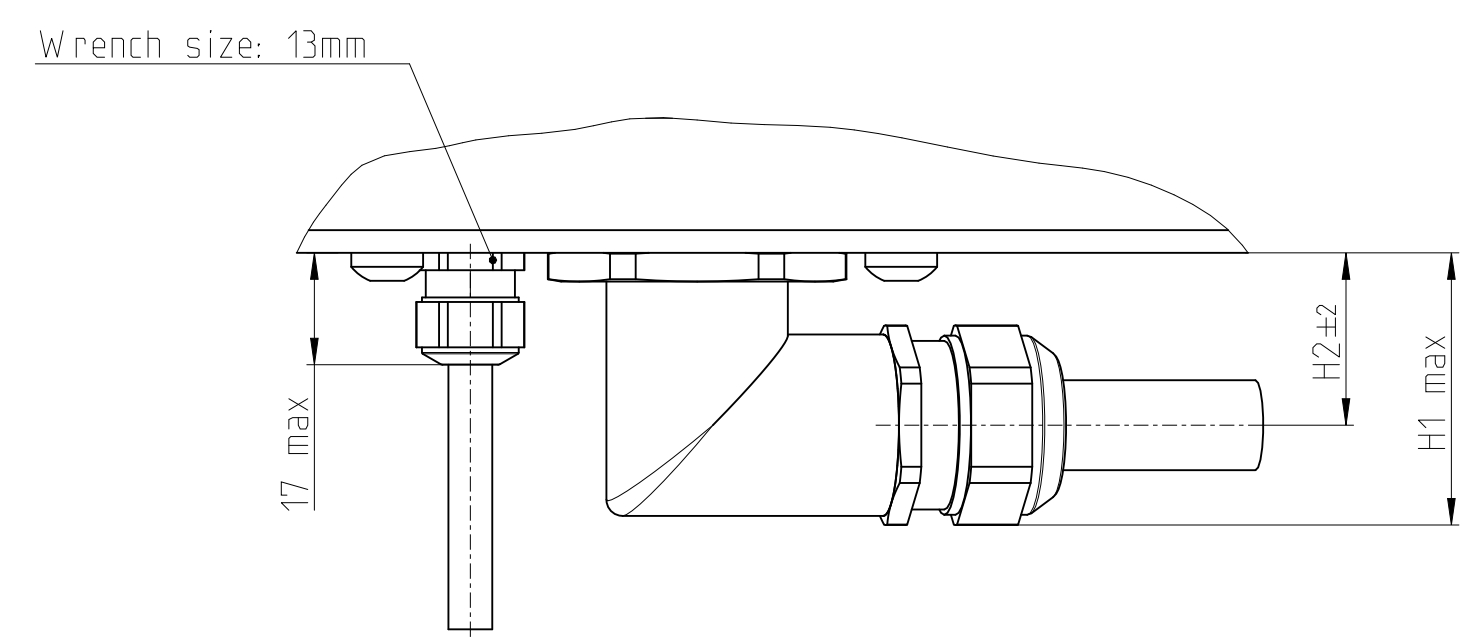
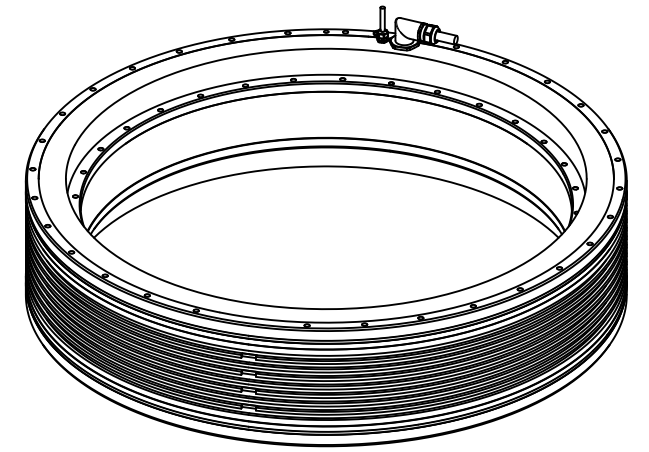
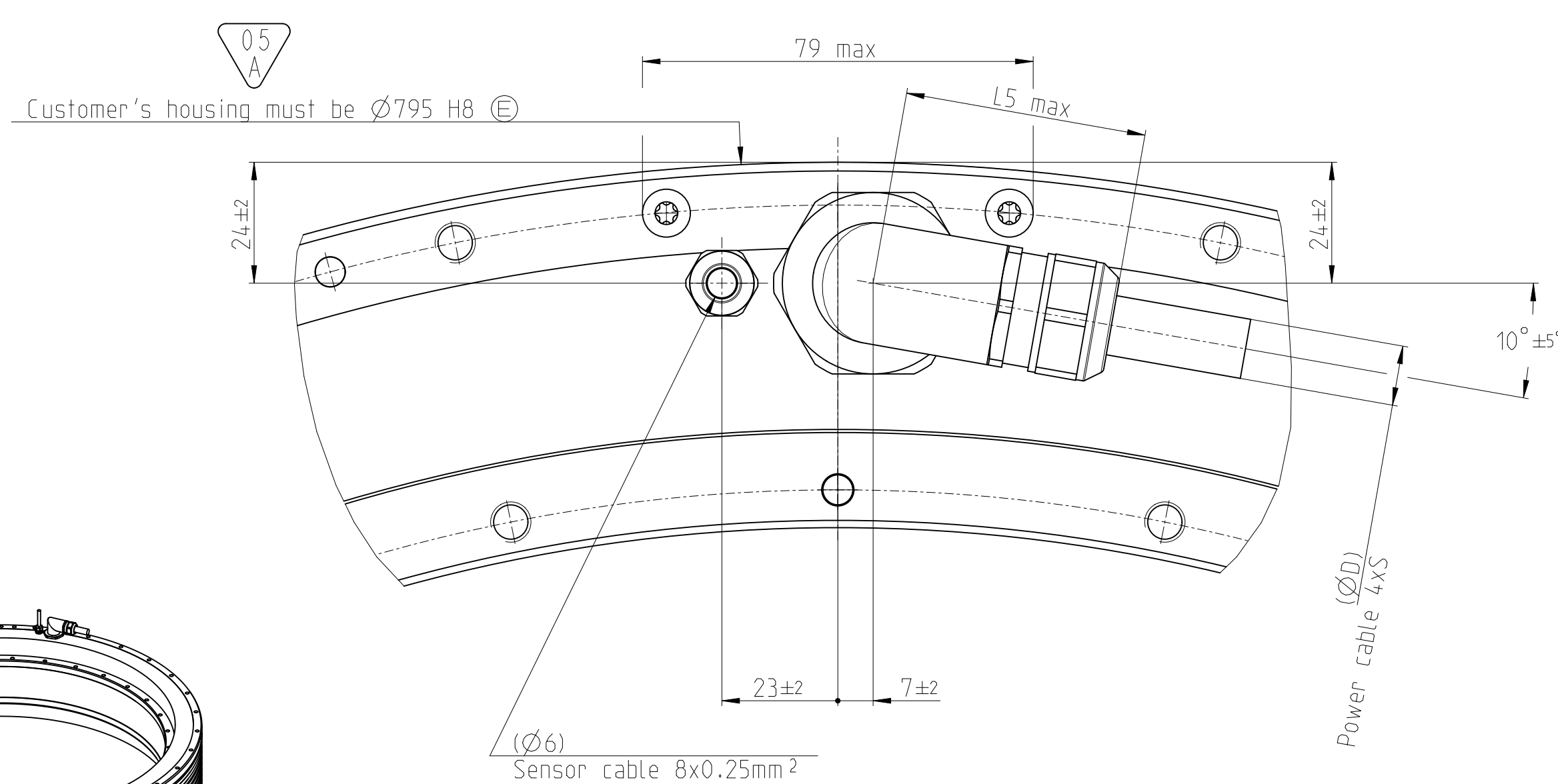
Type 3



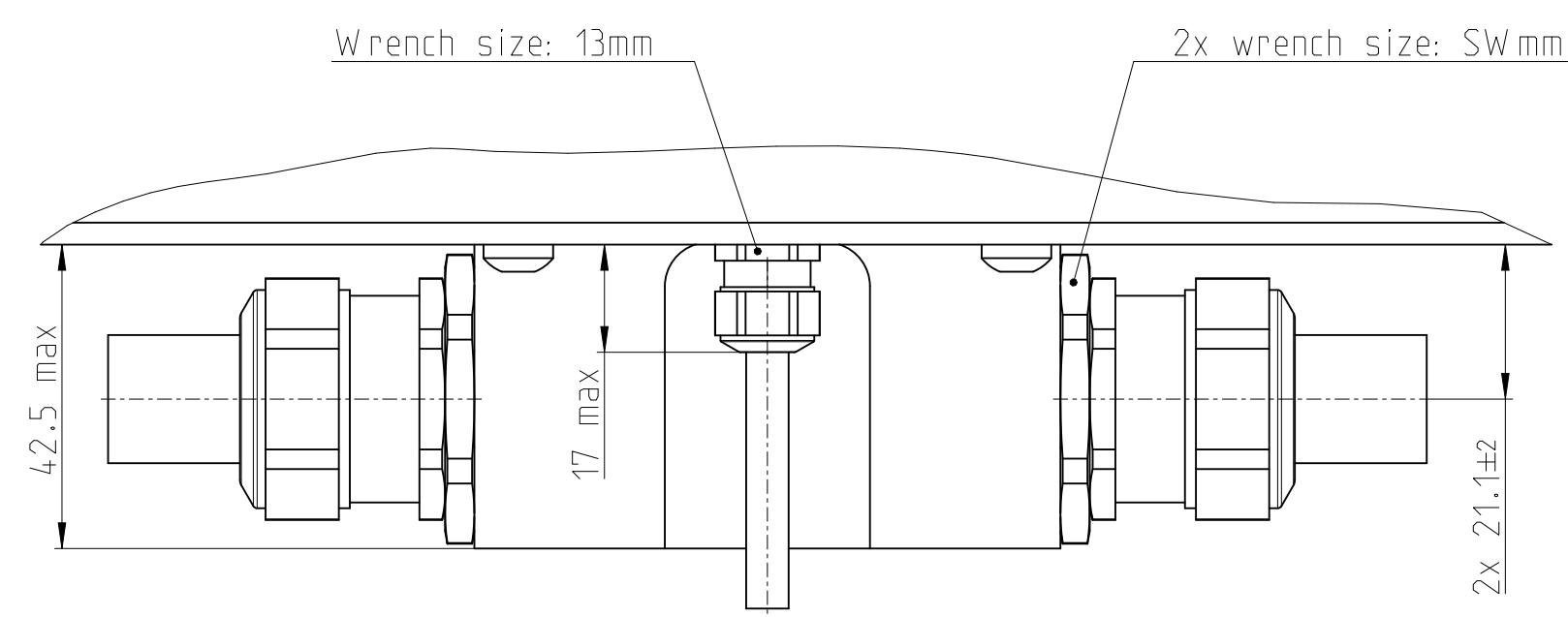
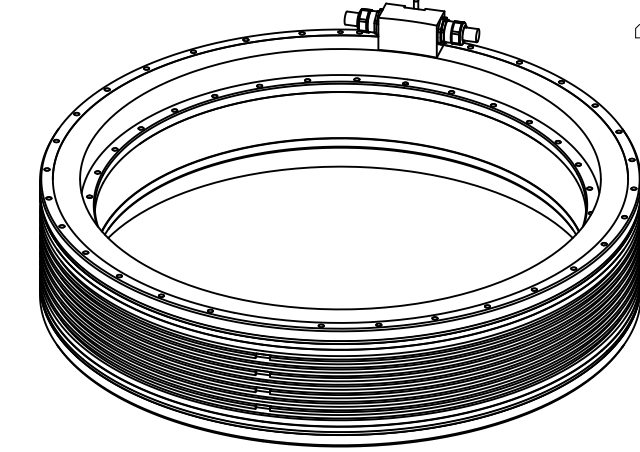
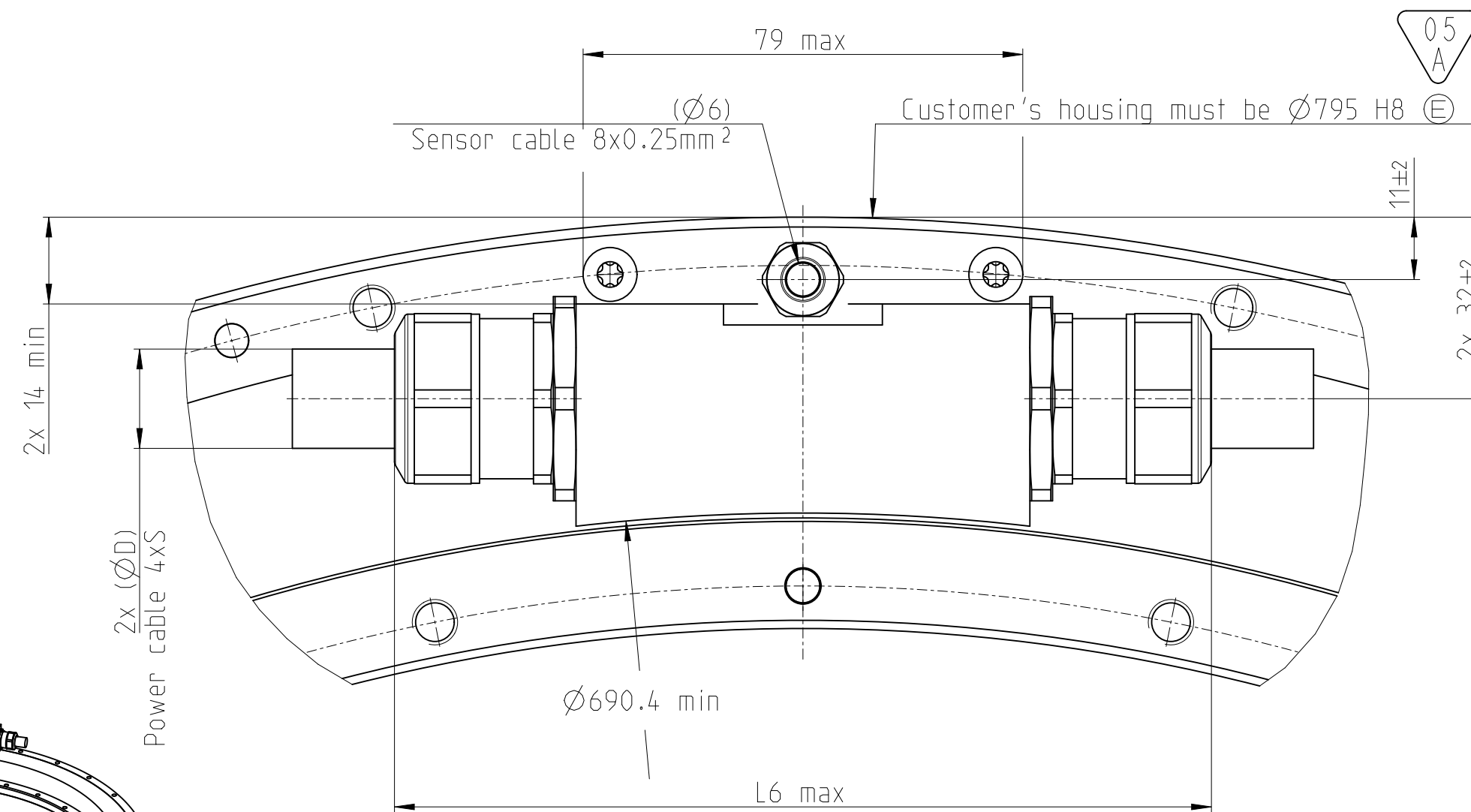
Type 5



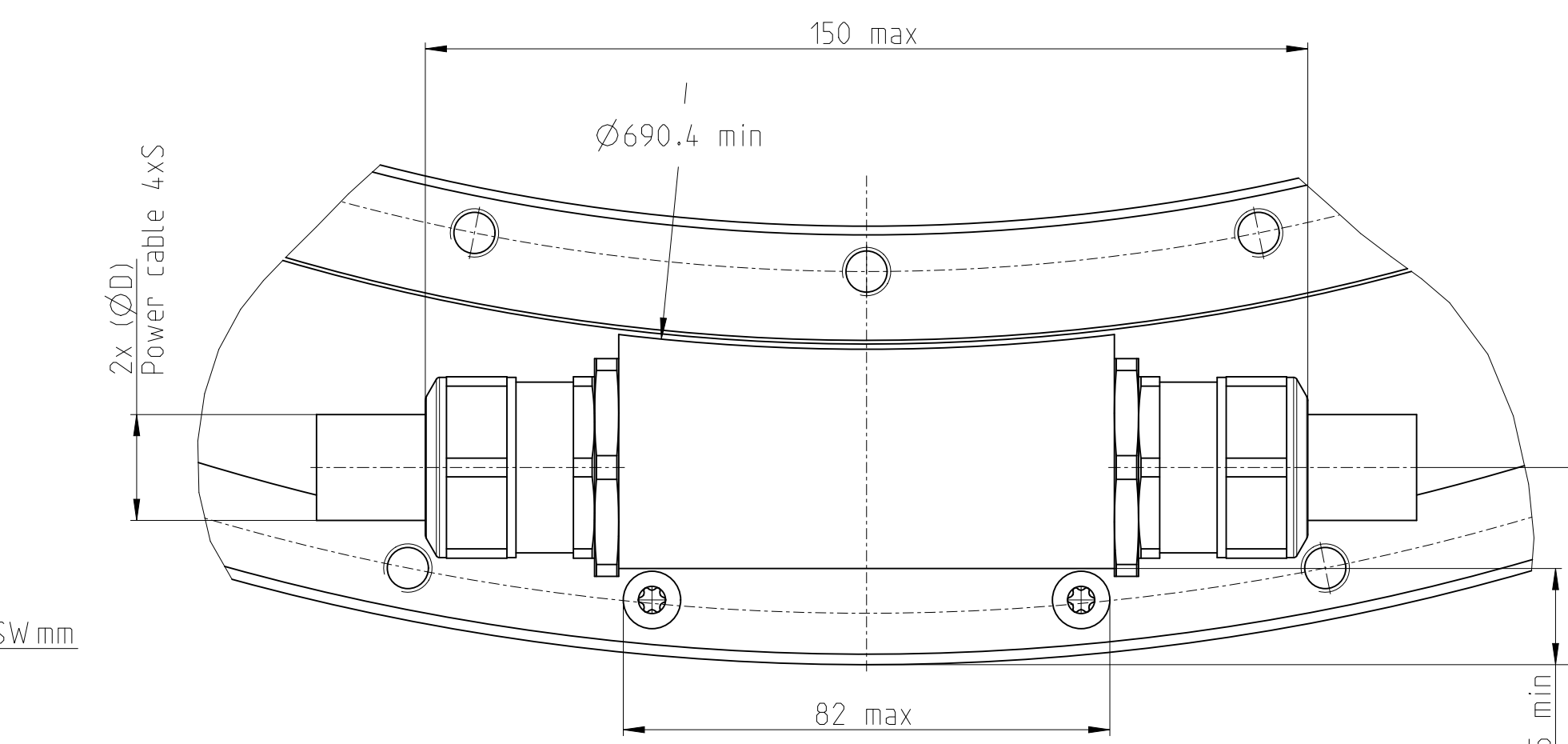
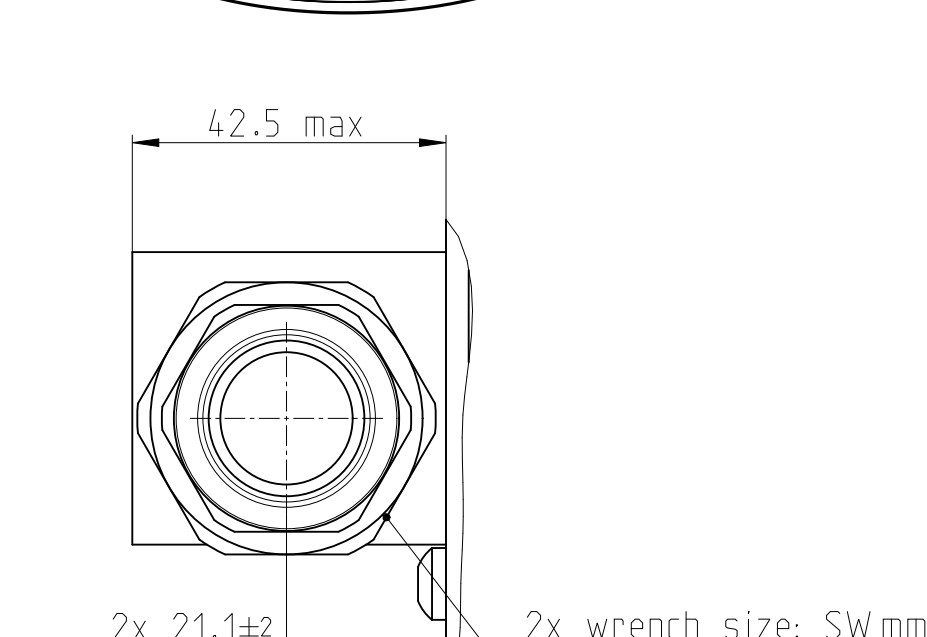
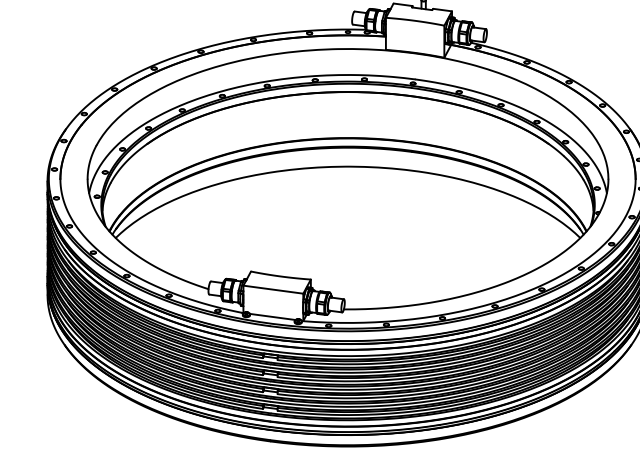
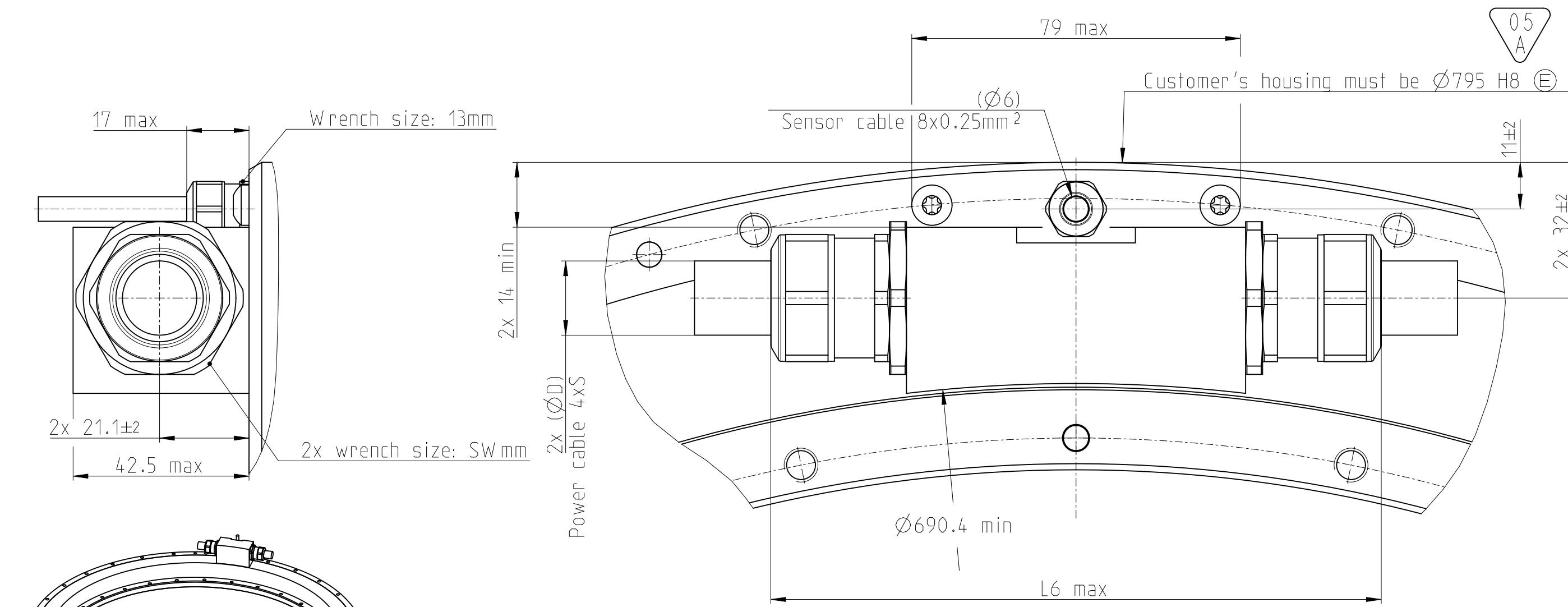
Type 2



Type 4

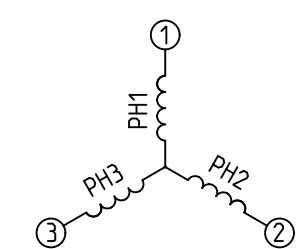


Type 6

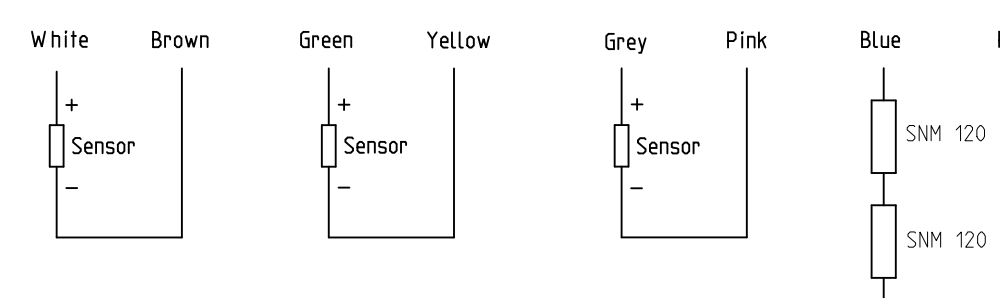


Power cable connection

Phase 1 = wire 1
Phase 2 = wire 2
Phase 3 = wire 3
PE = yellow/green wire



Sensor cable connection: "P" or "T" configuration

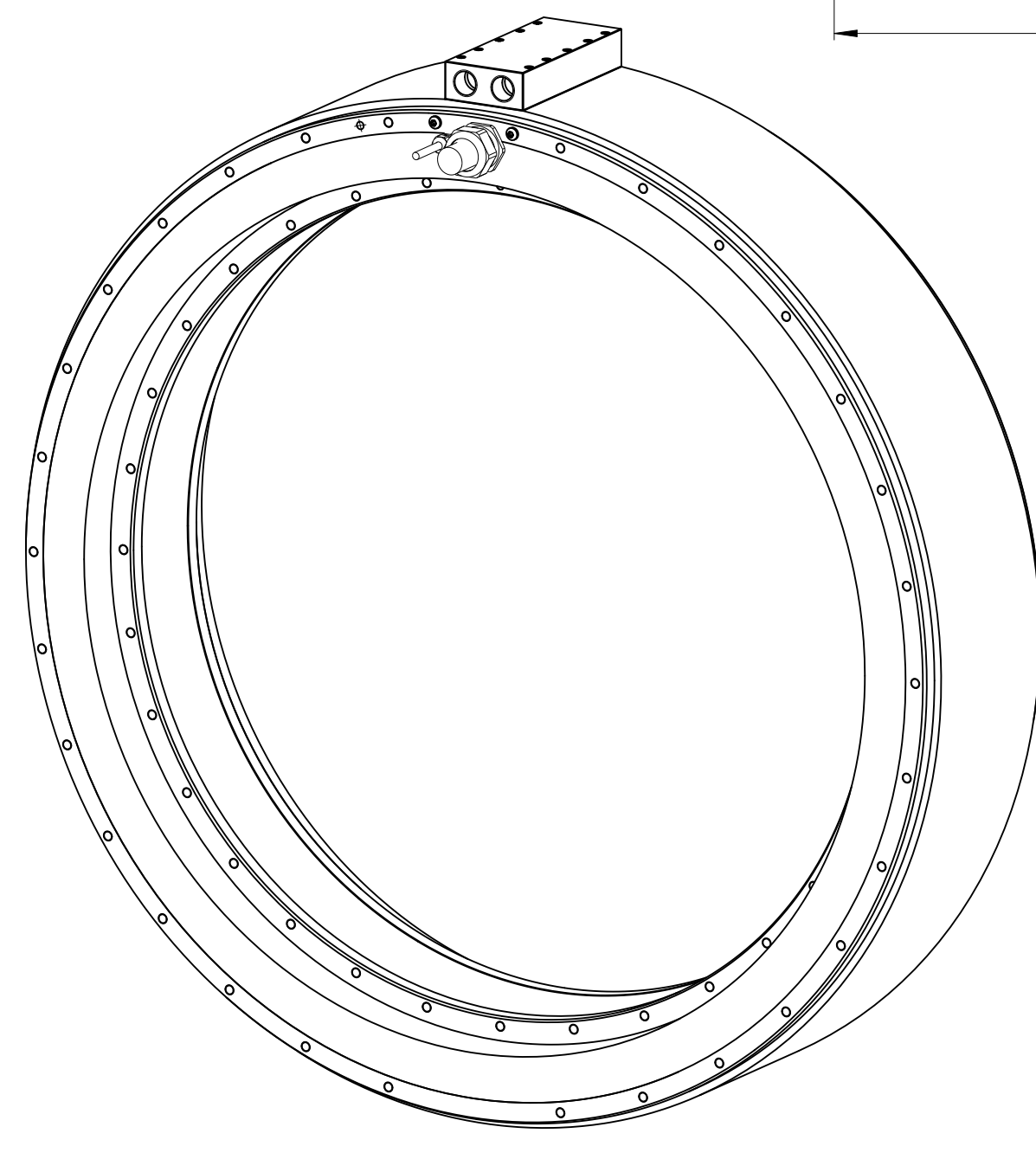
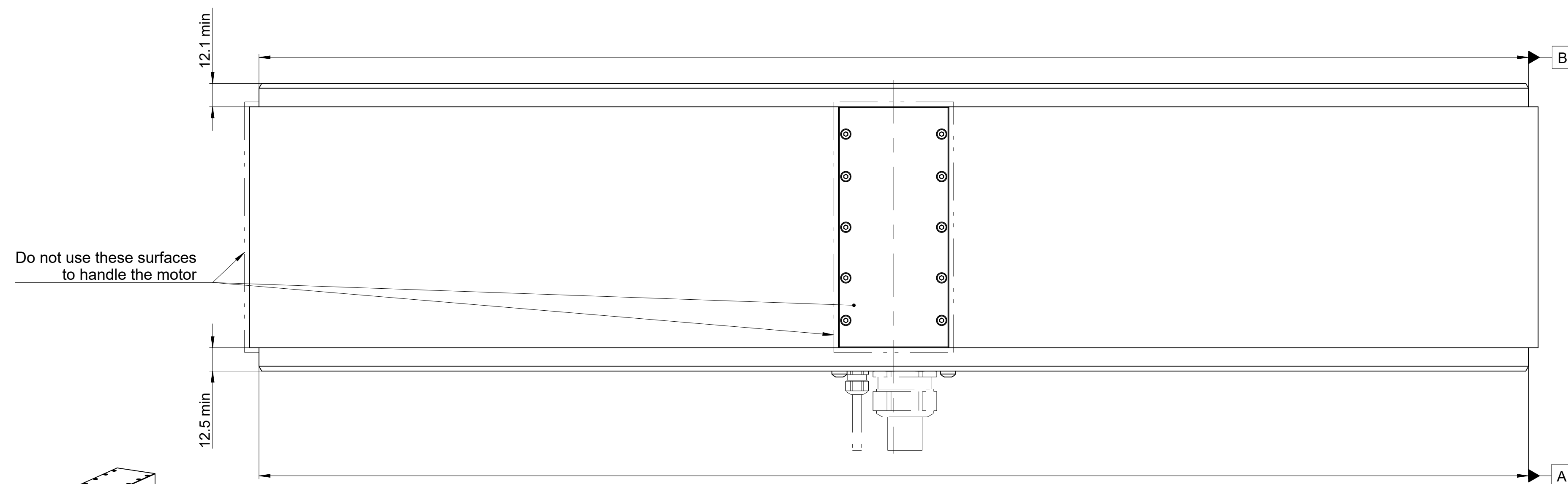
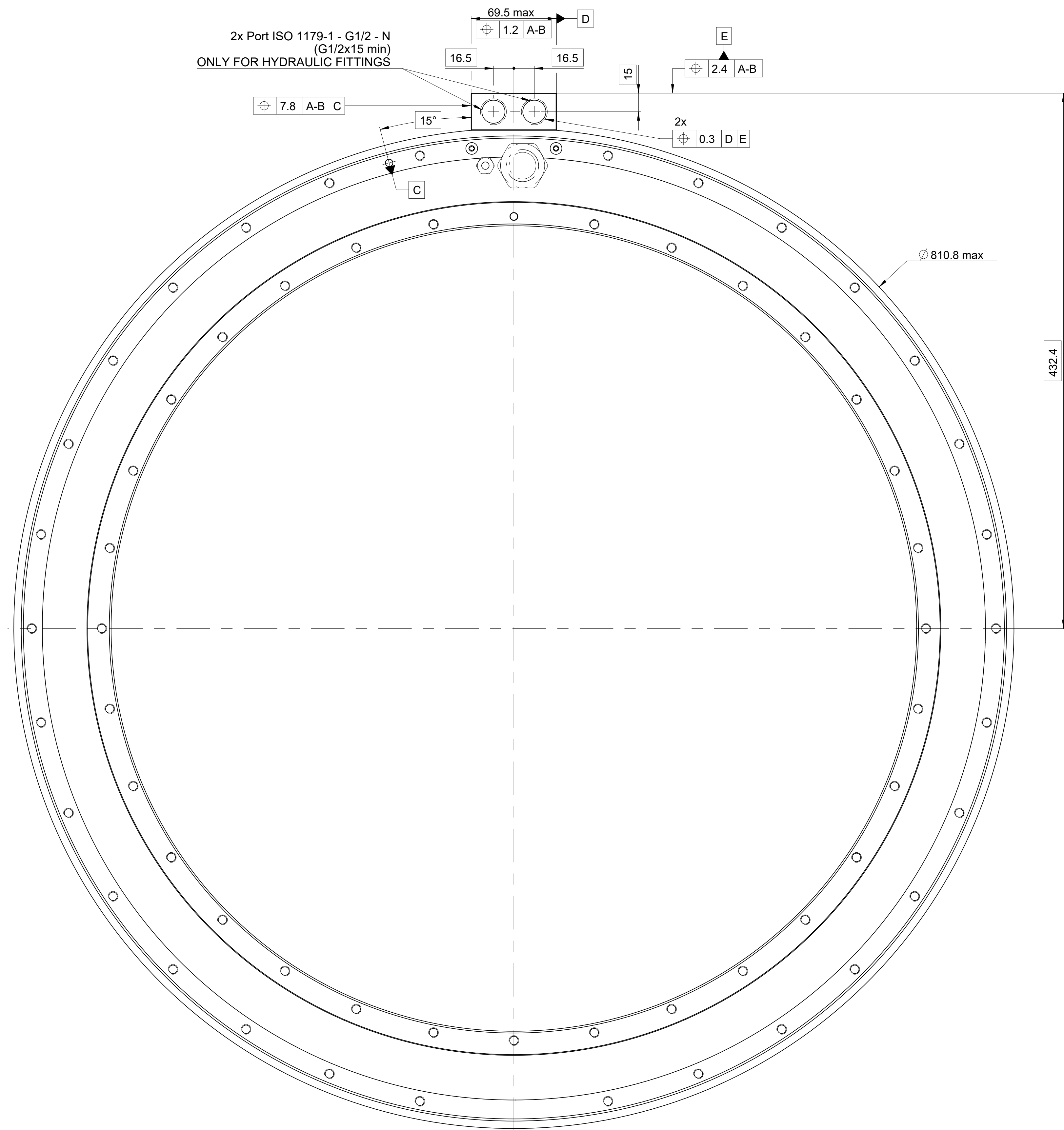


Configuration type	Sensor
"P"	KTY 84
"T"	PT 1000

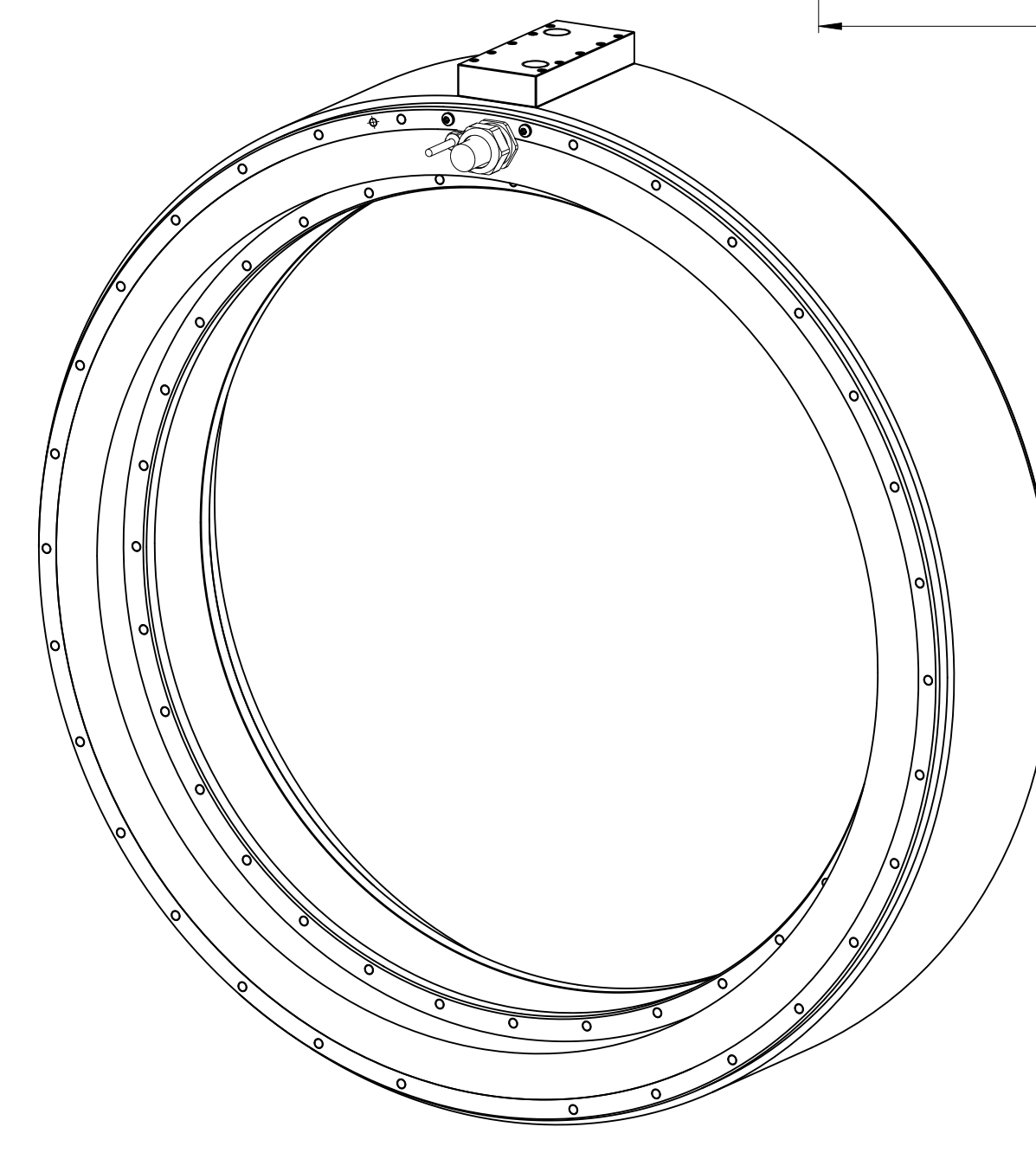
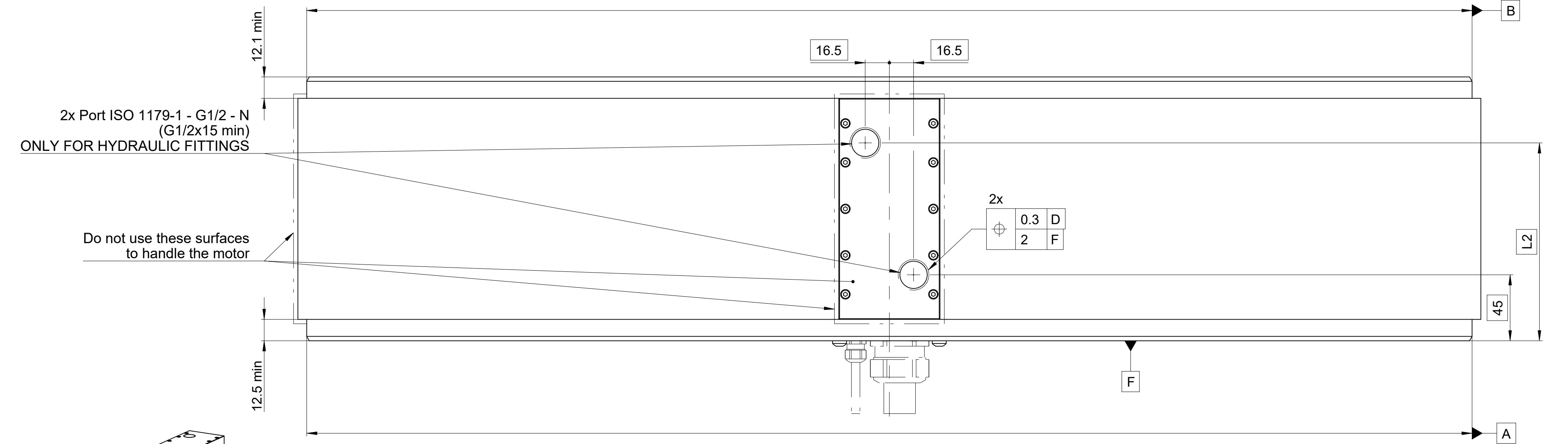
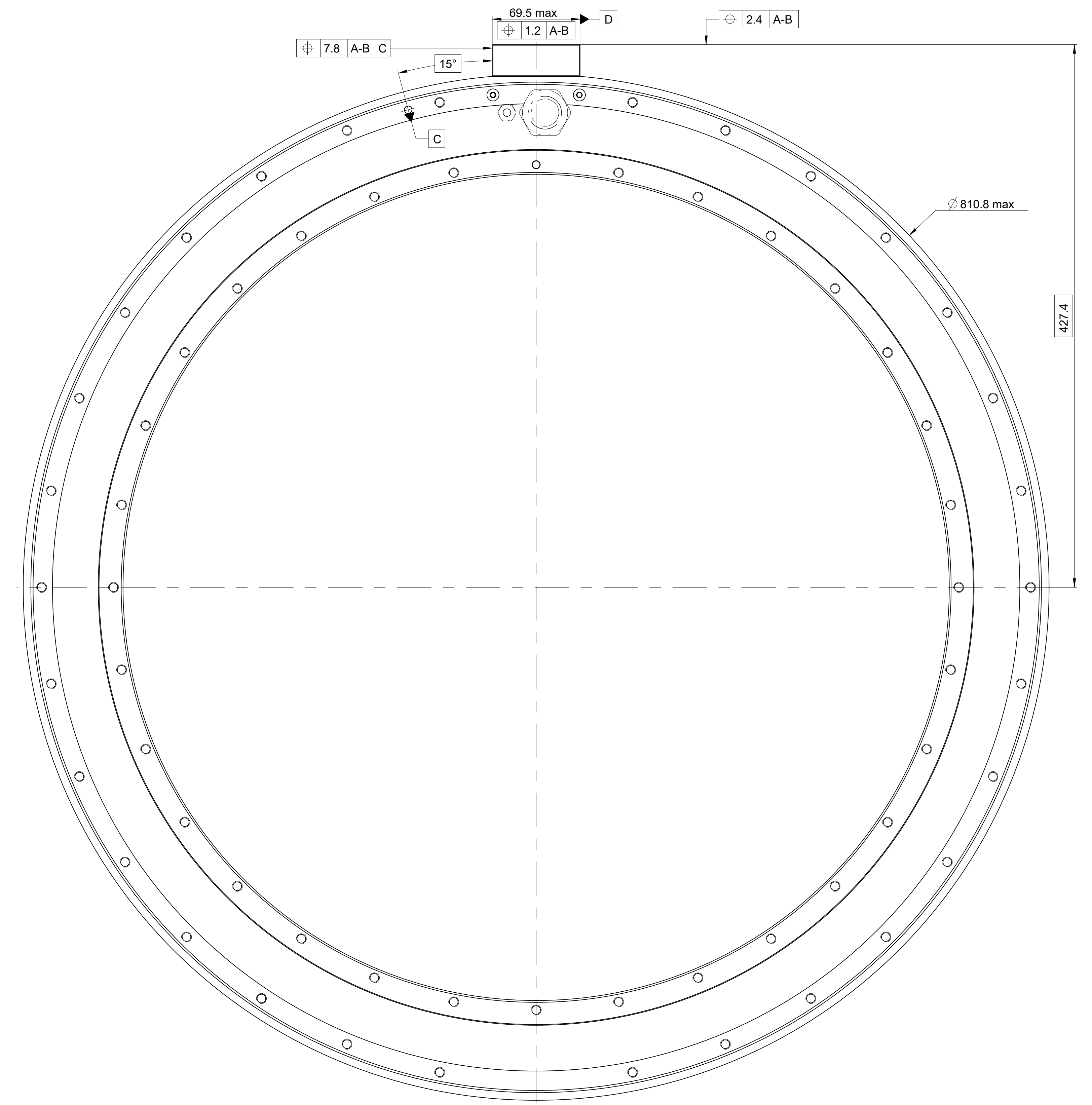
Motor family	0140		0210	
	0175	0291	0450	0530
White - Brown	Phase 1	Phase 3	Phase 2	
Green - Yellow	Phase 3	Phase 2	Phase 1	
Grey - Pink	Phase 2	Phase 1	Phase 3	

Designation	Output type	S-Wire section	L5	L6	H1	H2	D	SW	Bending radius
[-]	[-]	[mm ²]	[mm]	[mm]	[mm]	[mm]	[mm]	[mm]	[mm]
TMB-0760-###-UB#S#	Type 1	-	-	-	30.5	-	10.6	-	Static bending radius for: - sensor cable = 30 - power cable = 4x Øext.
TMB-0760-###-UB#E#	Type 2	2.5	51.5	-	38.6	22.8	-	-	
TMB-0760-###-WB#S#	Type 1	4	-	-	32.5	-	11.9	-	
TMB-0760-###-WB#E#	Type 2	-	53.5	-	38.6	22.8	-	-	
TMB-0760-###-WC#S#	Type 1	-	-	-	38.5	-	-	-	
TMB-0760-###-WC#E#	Type 2	-	62	-	45.9	26.8	-	-	
TMB-0760-###-WF#S#	Type 3	10	-	-	38.5	-	17.5	-	
TMB-0760-###-WF#E#	Type 4	-	-	156.5	-	-	-	-	
TMB-0760-###-WL#S#	Type 5	-	-	-	38.5	-	-	-	
TMB-0760-###-WL#E#	Type 6	-	-	156.5	-	-	-	-	
TMB-0760-###-UF#S#	Type 1	16	-	-	33	-	-	-	
TMB-0760-###-UF#E#	Type 2	-	65.5	-	48.3	25.7	-	-	
TMB-0760-###-UL#S#	Type 3	-	-	-	33	-	-	-	
TMB-0760-###-UL#E#	Type 4	-	-	146	-	-	-	-	
TMB-0760-###-WD#S#	Type 1	-	-	-	33	-	-	-	
TMB-0760-###-WD#E#	Type 2	-	65.5	-	-	25.7	-	-	

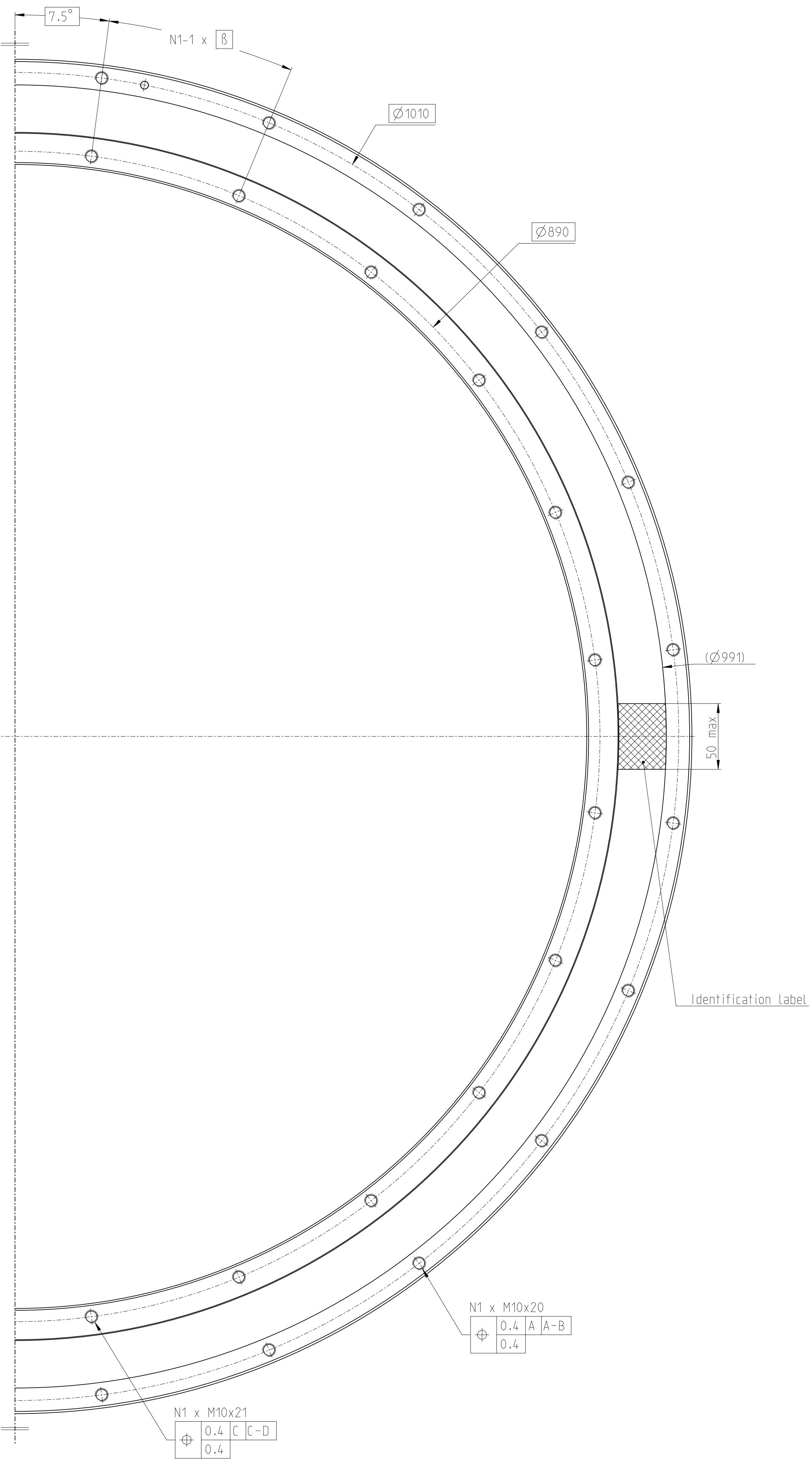
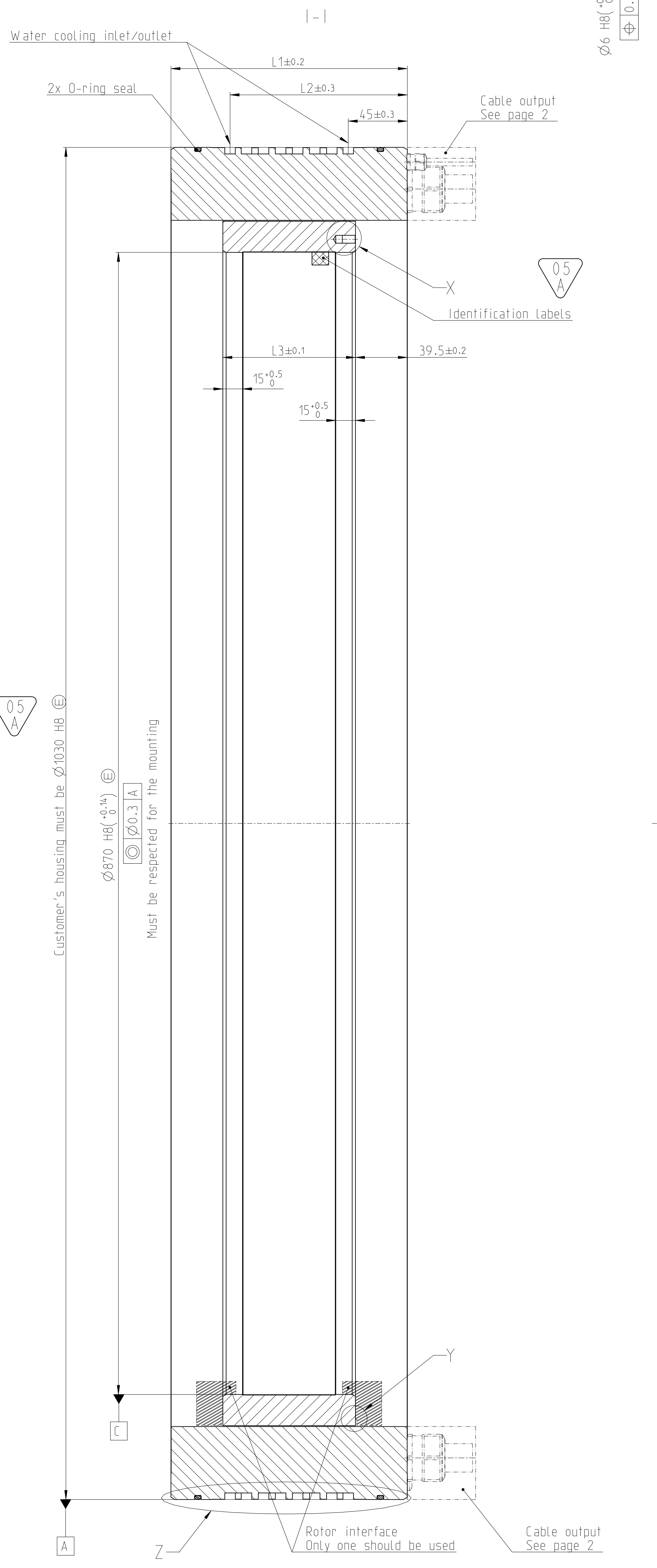
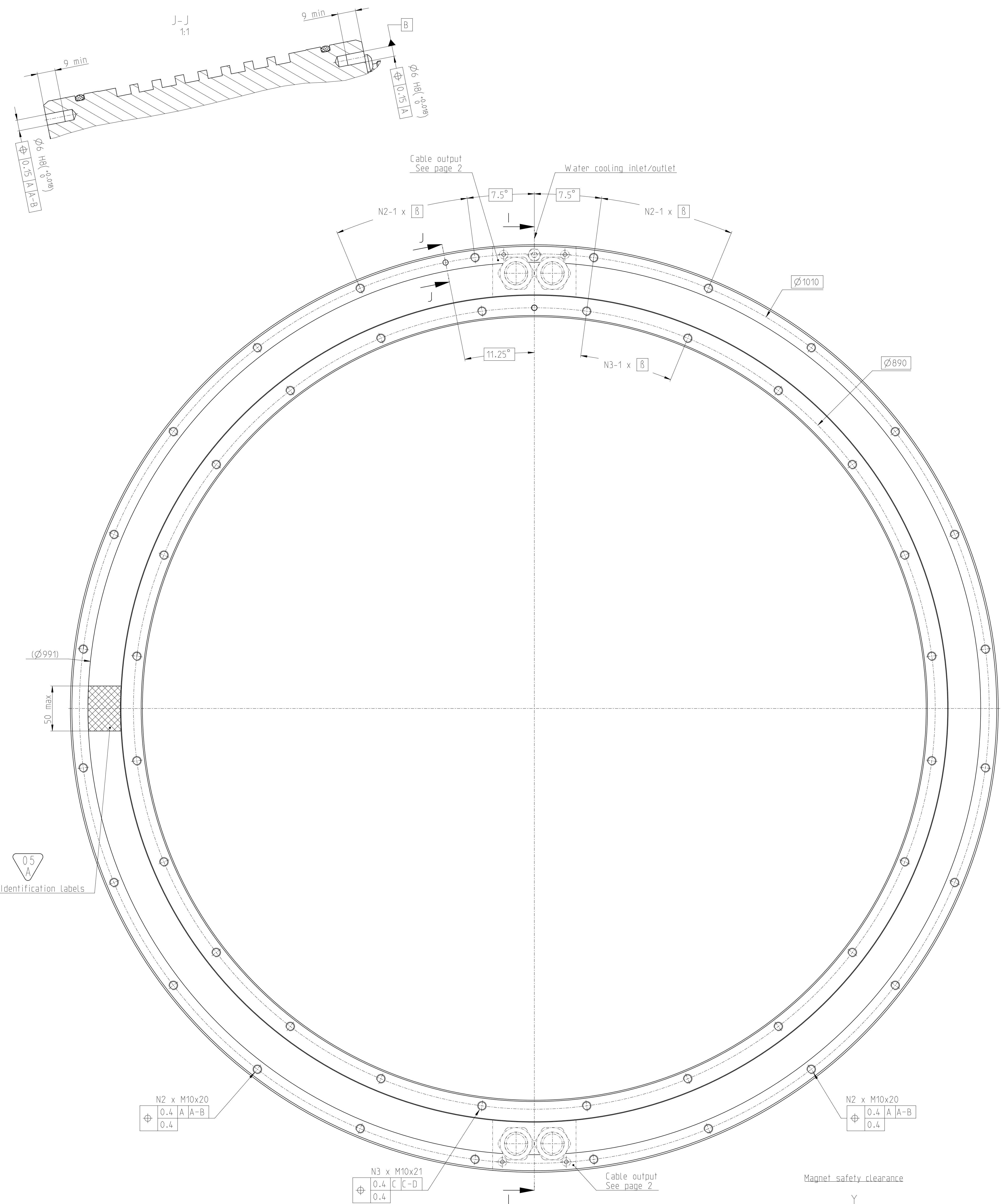
TMB+0760-###-#####-A#-AA0
 (Annex to interface drawing 1177077: please check for motor and cable output information)



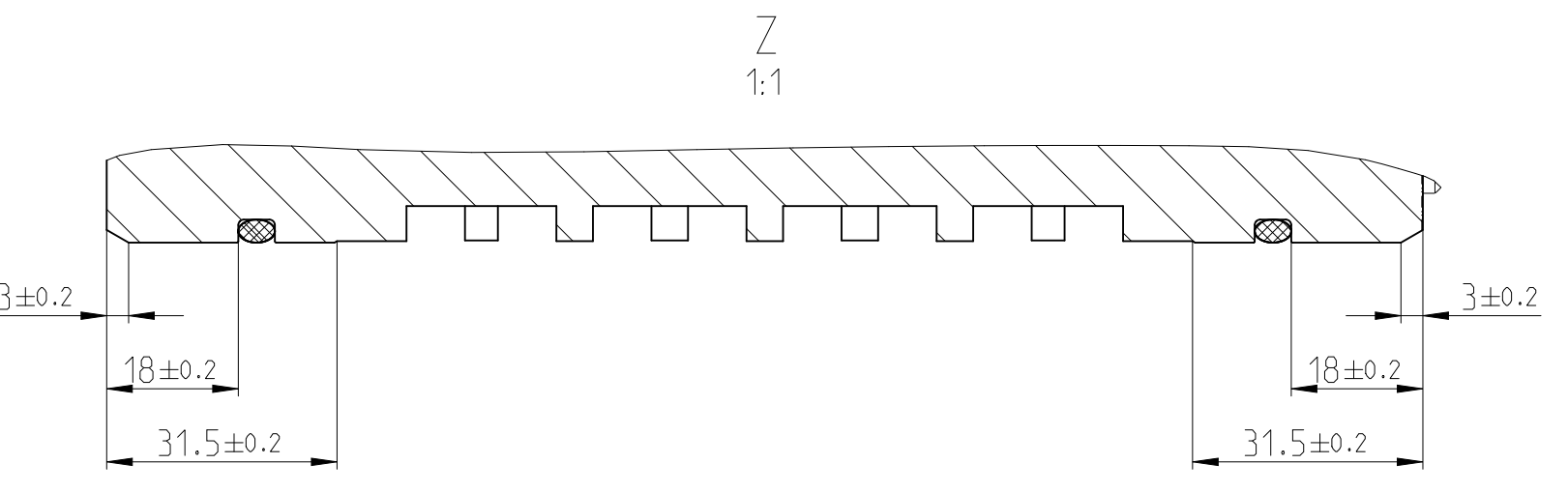
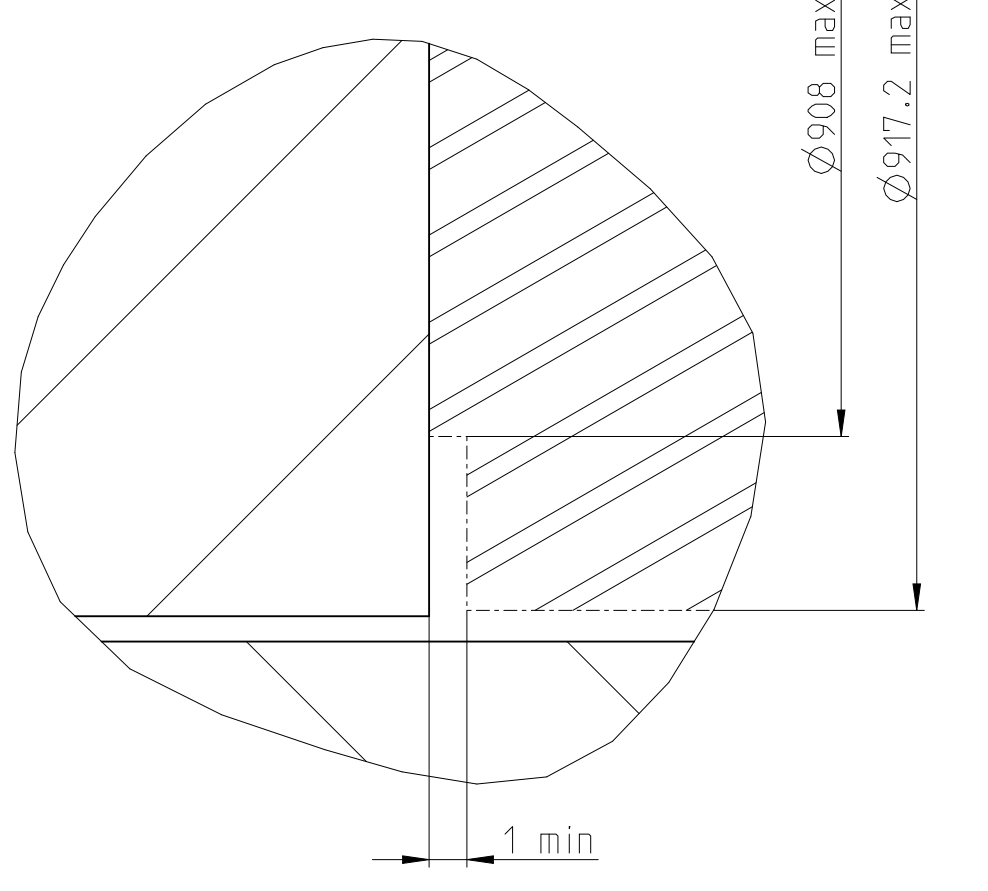
TMB+0760-###-#####-R#-AA0
 (Annex to interface drawing 1177077: please check for motor and cable output information)



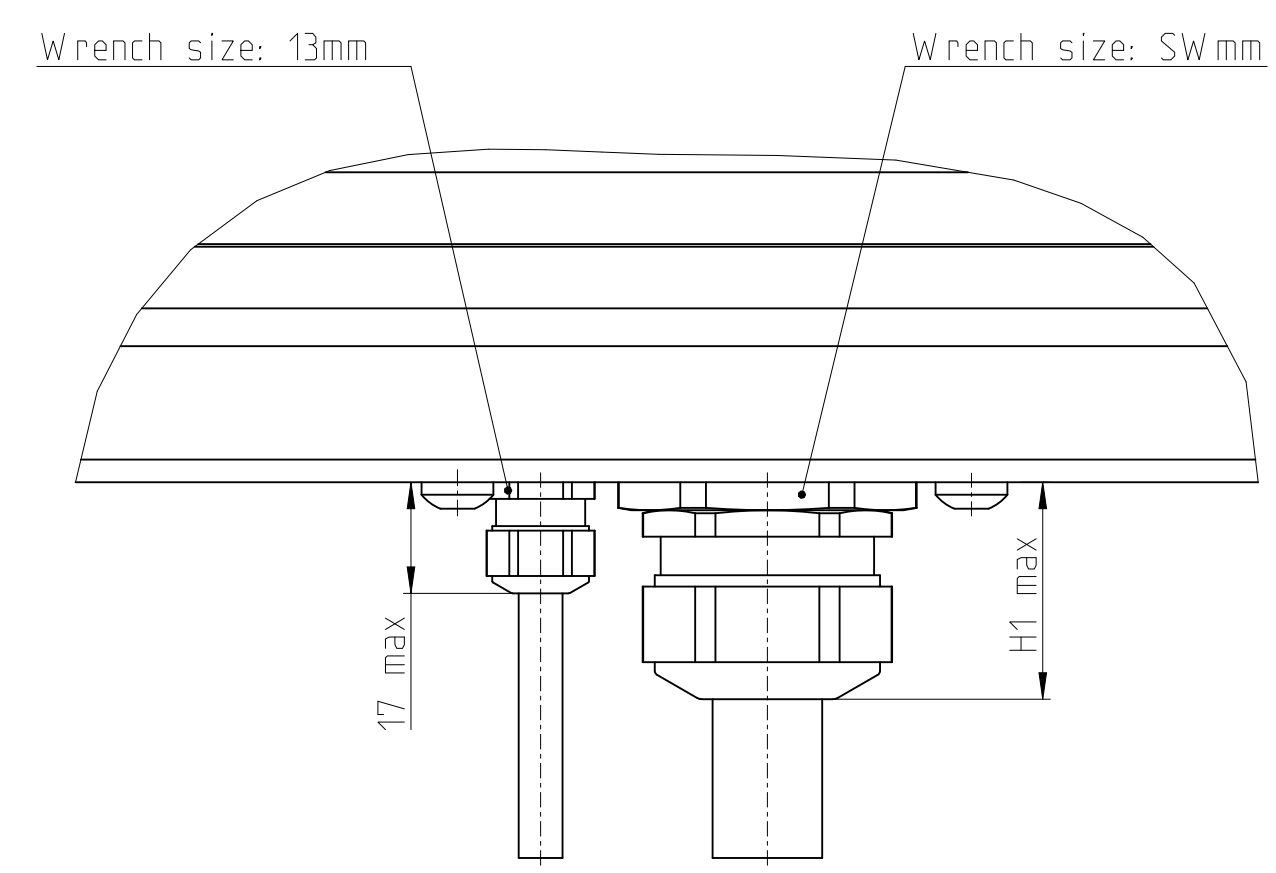
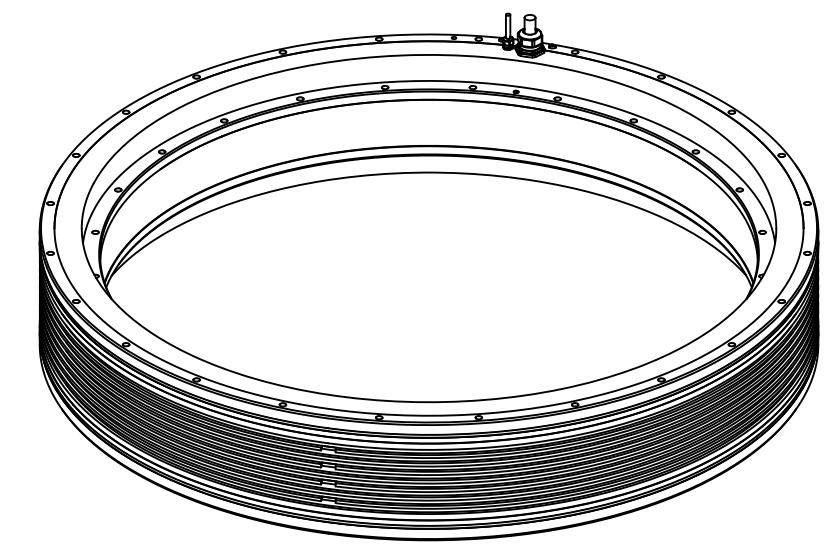
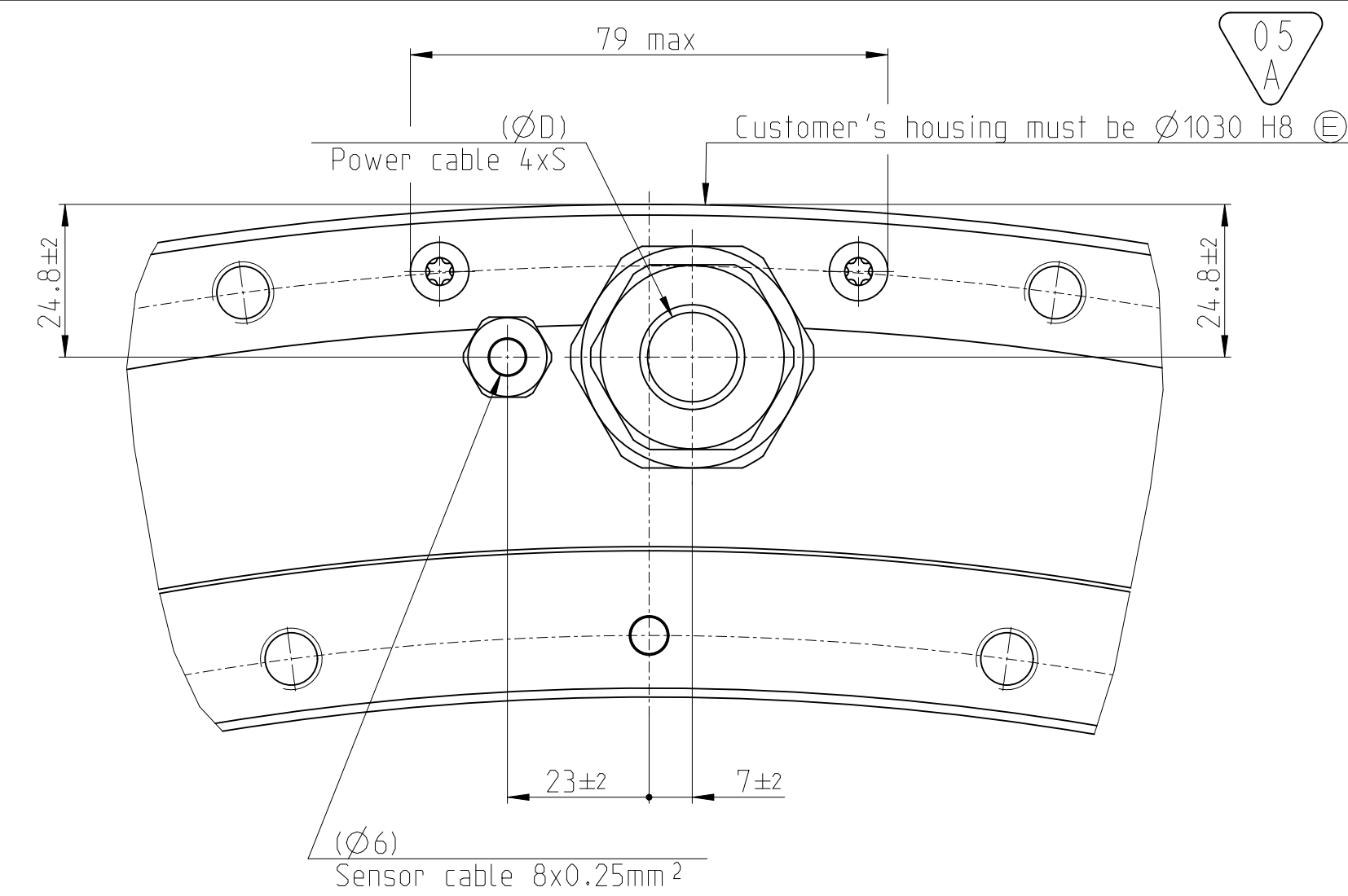
Designation	L2
TMB+0760-050	85
TMB+0760-070	105
TMB+0760-100	135
TMB+0760-150	185
TMB+0760-200	235



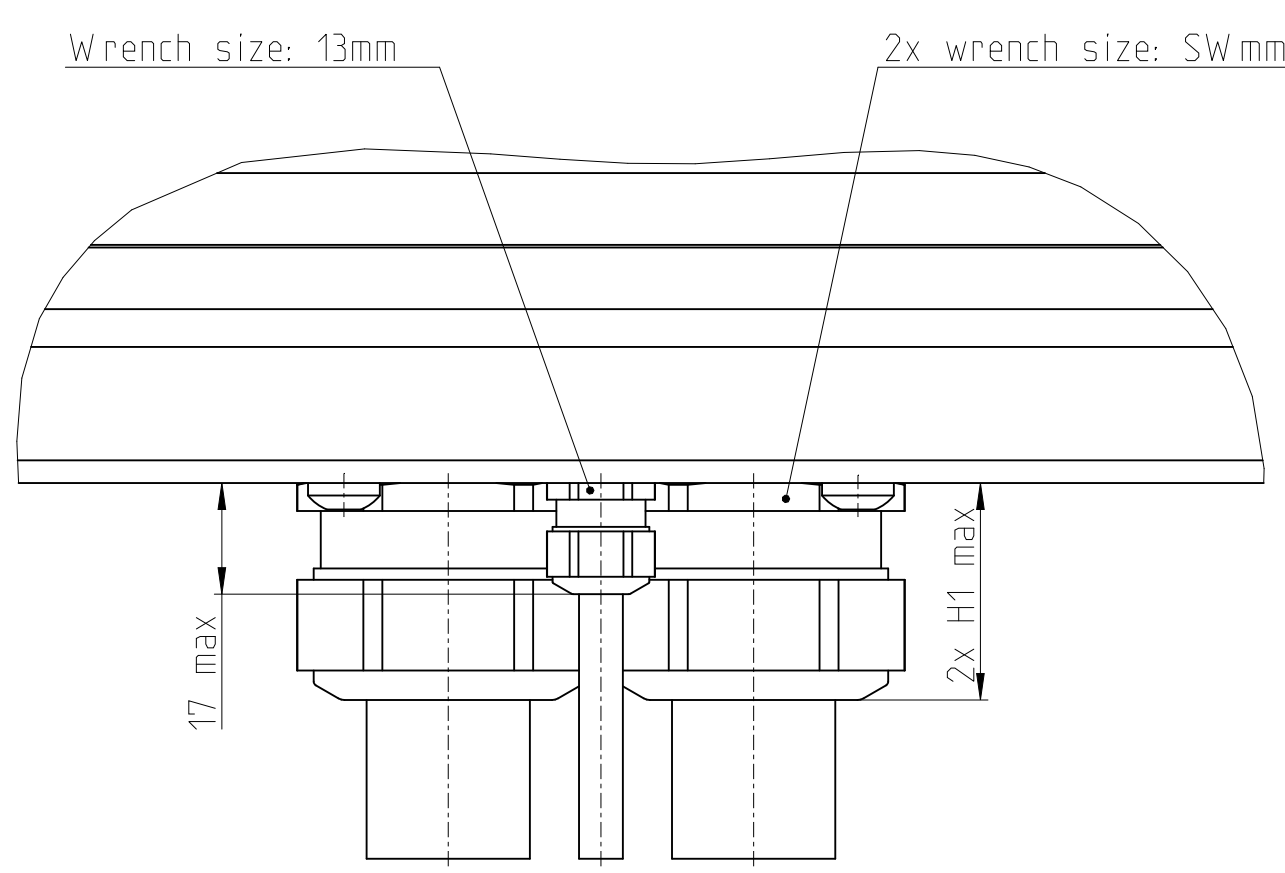
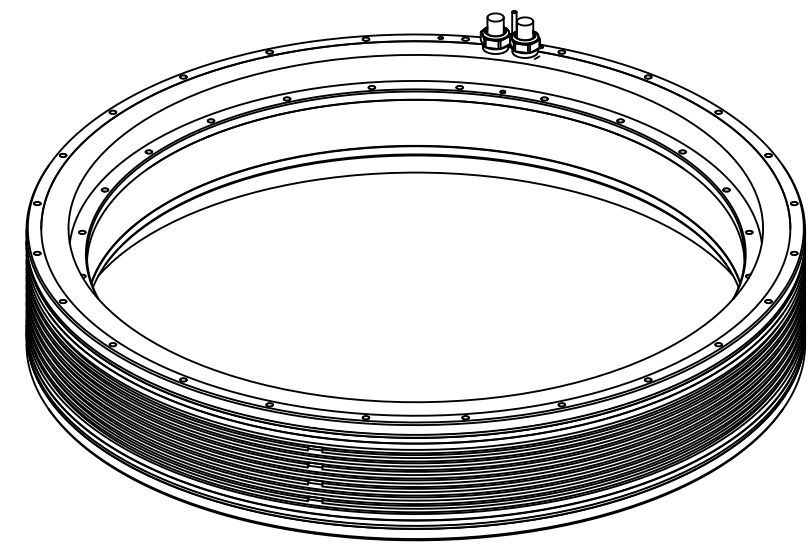
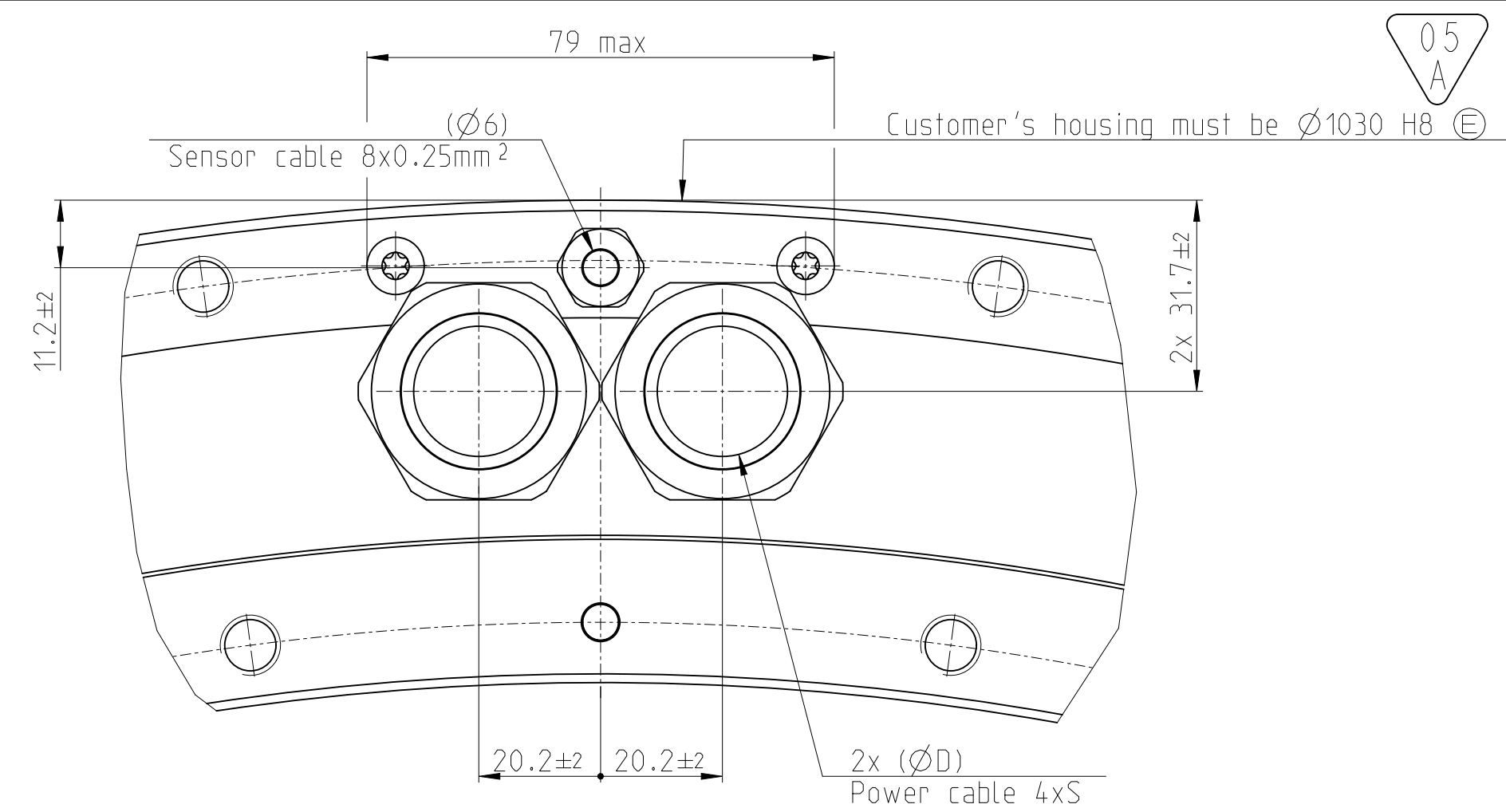
Designation	L1	L2	L3	N1	N2	N3	β
TMB+0990-050	130	85	51				
TMB+0990-070	150	105	71	24	12	24	15°
TMB+0990-100	180	135	101				
TMB+0990-150	230	185	151	48	23	47	7.5°
TMB+0990-200	280	235	202				



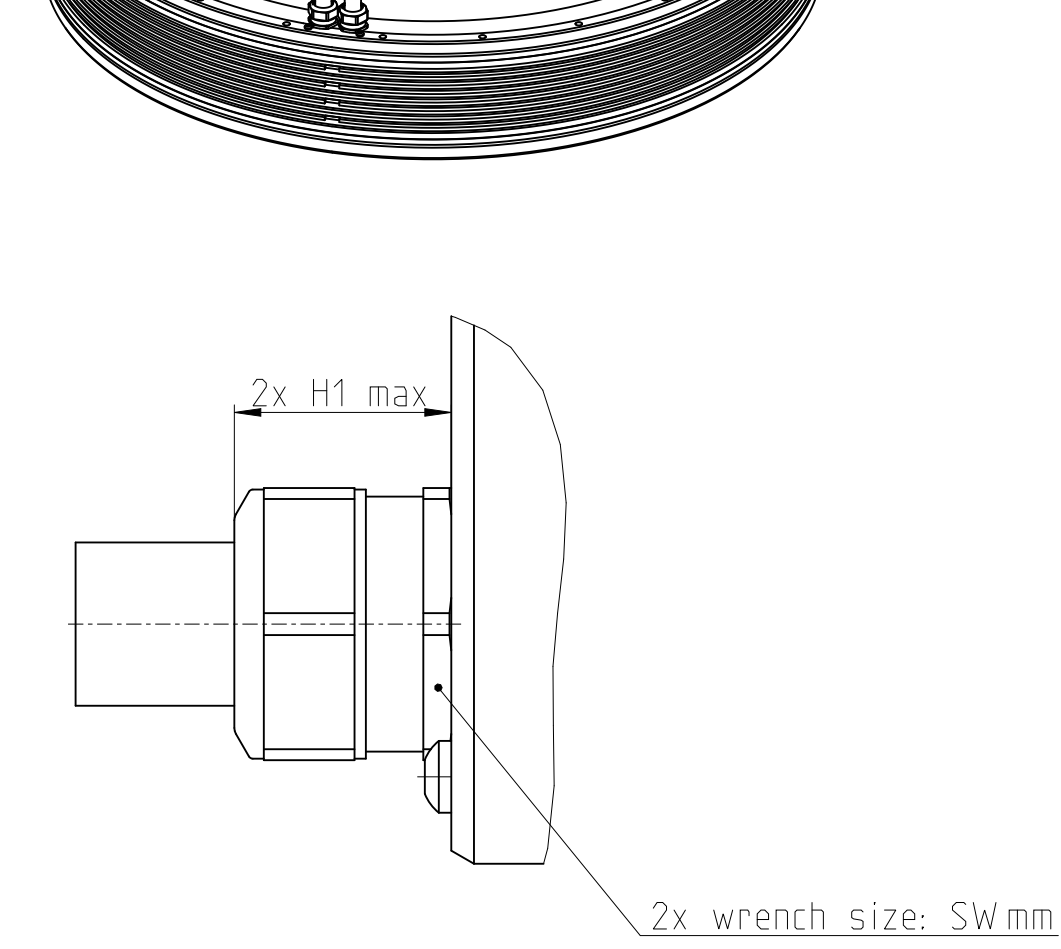
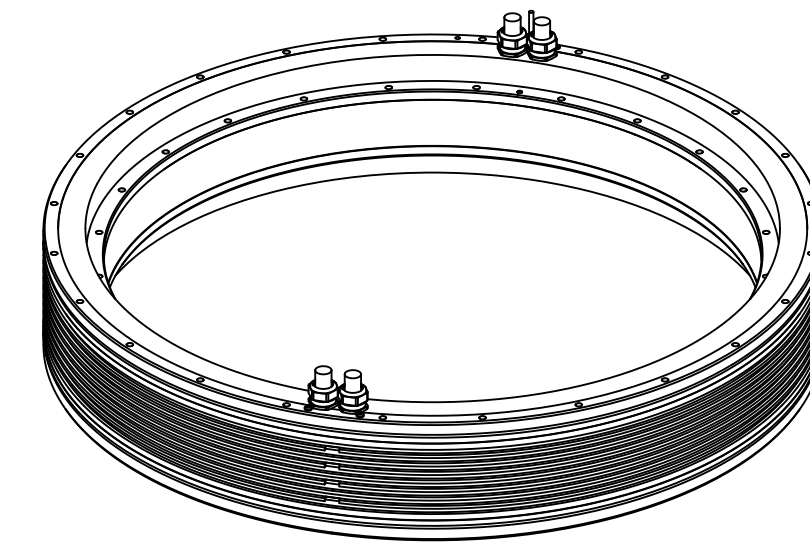
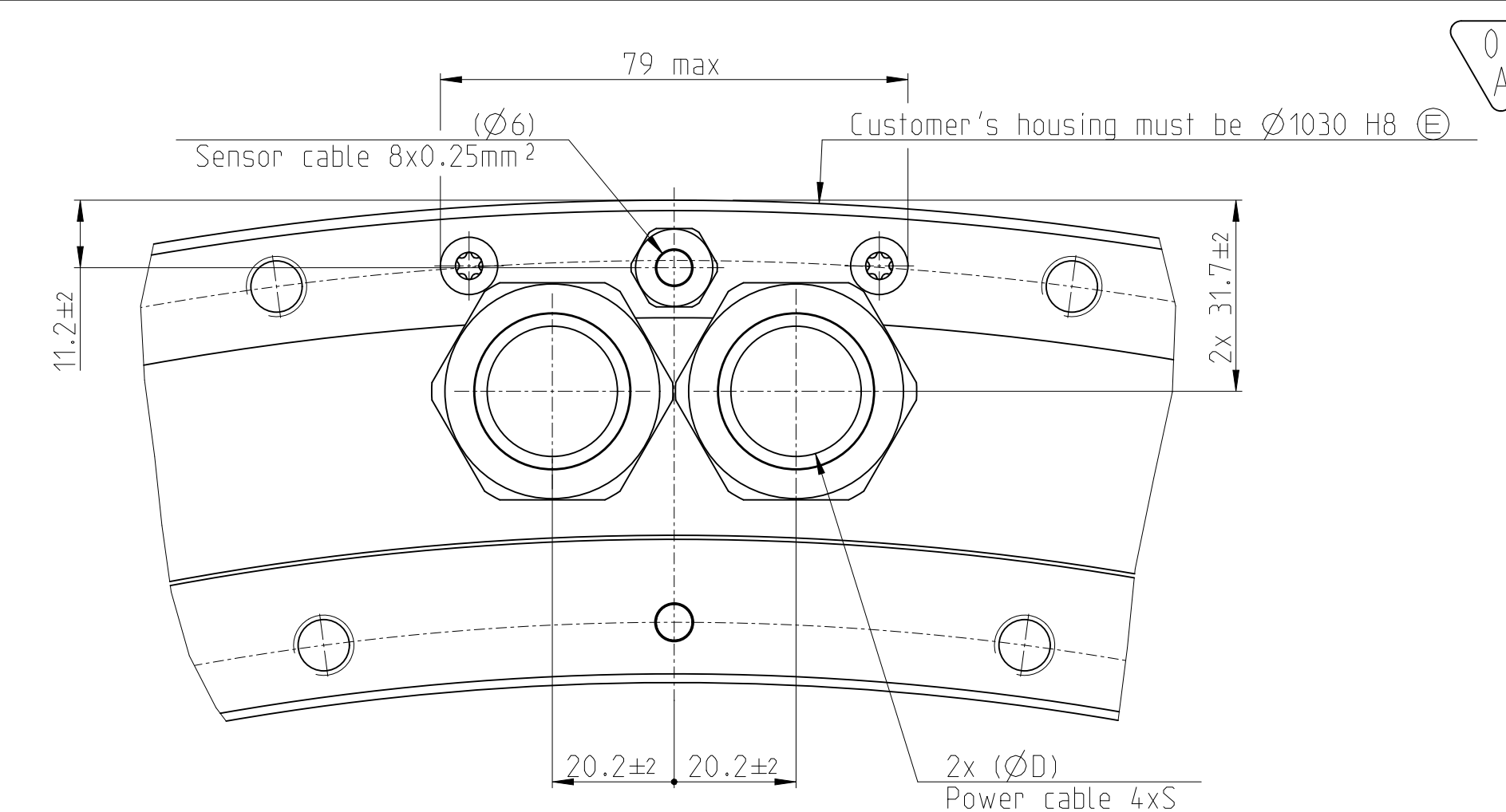
Type 1



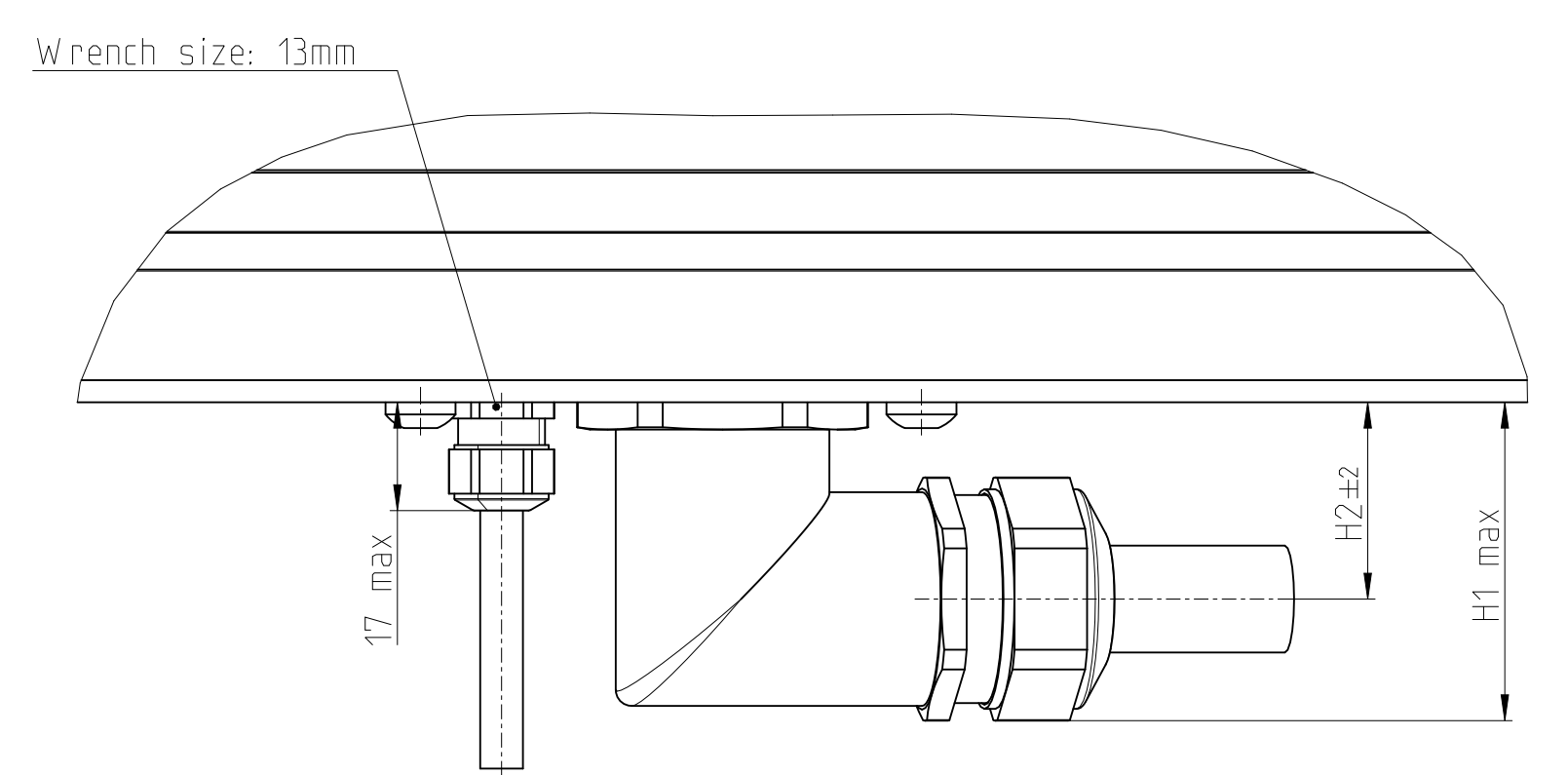
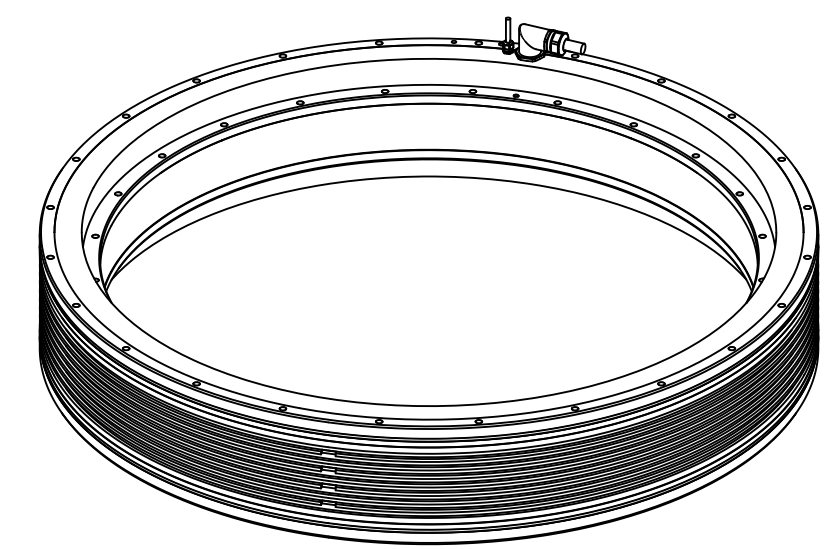
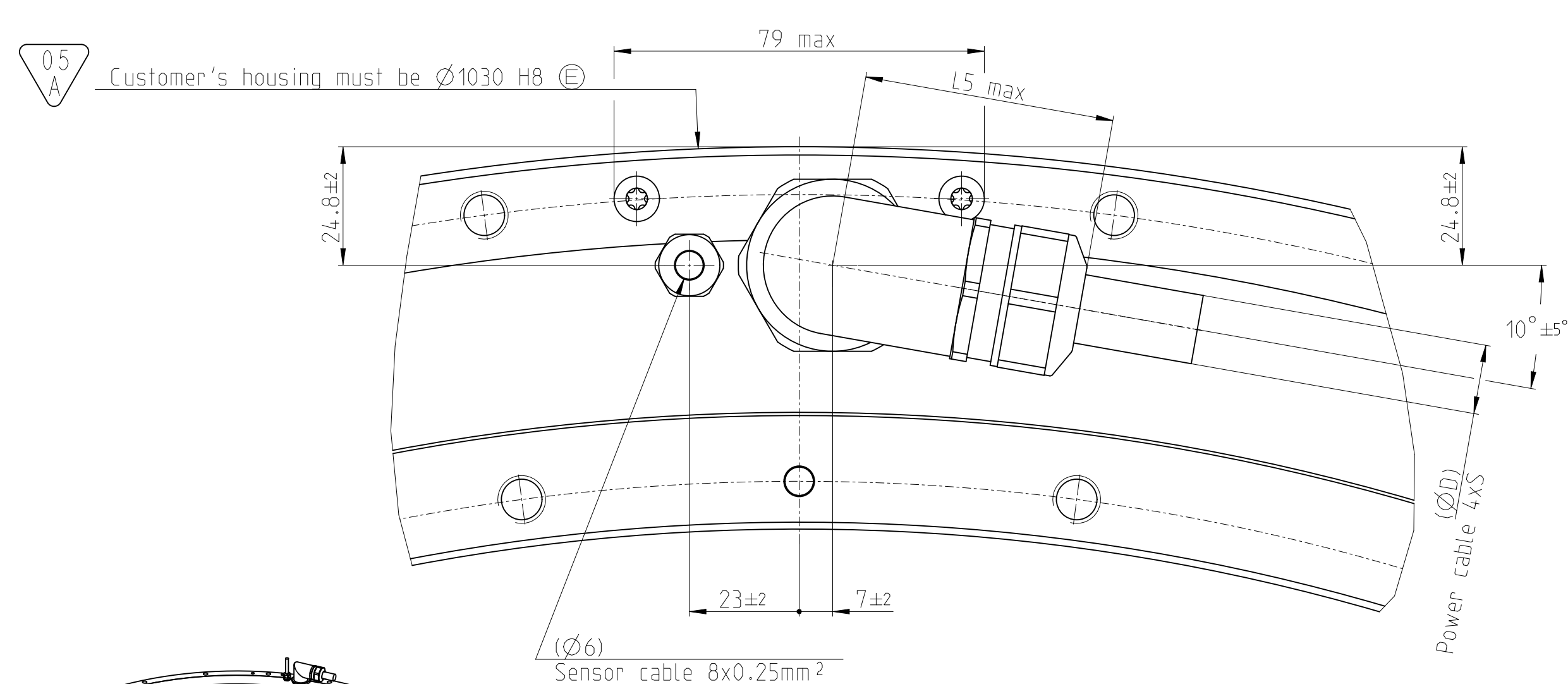
Type 3



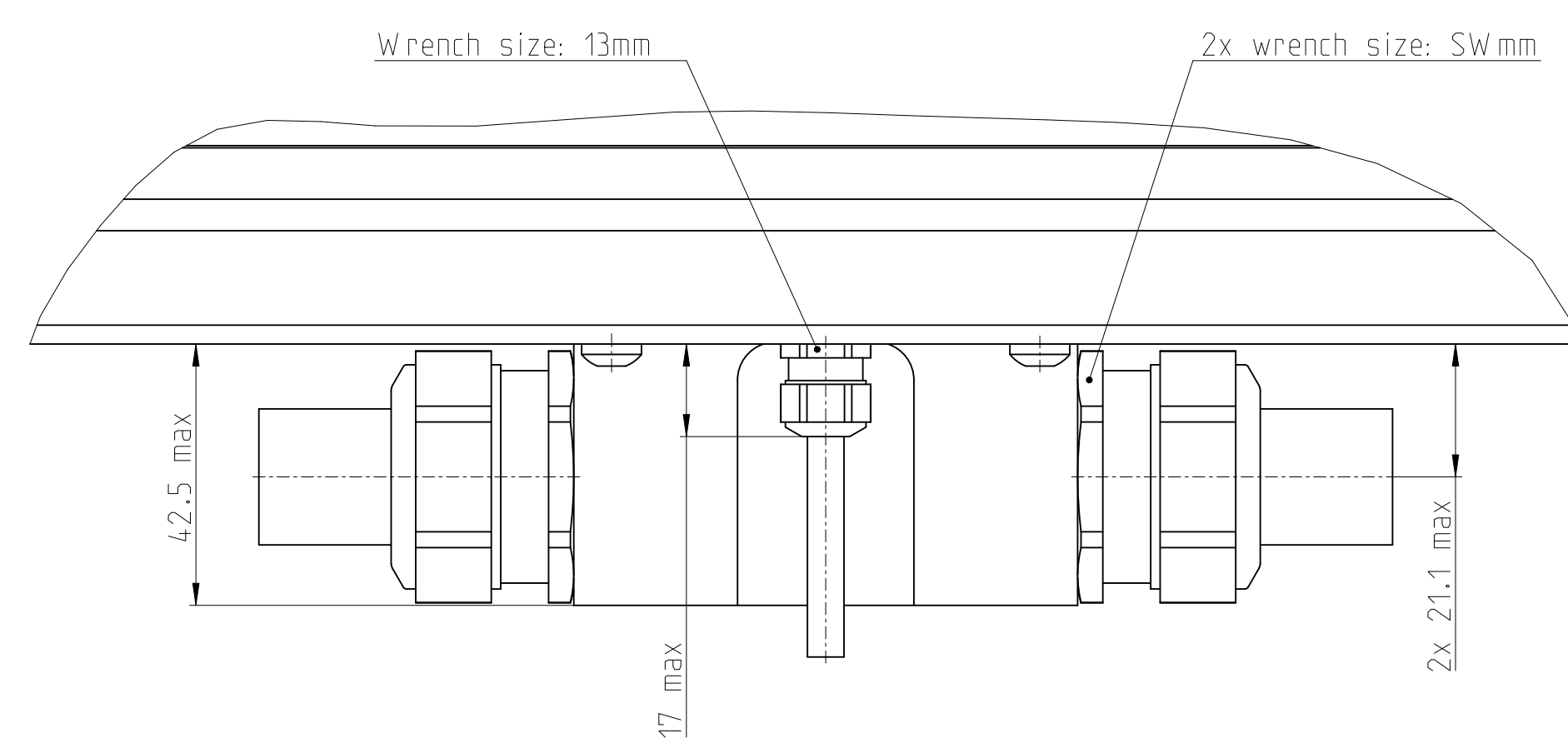
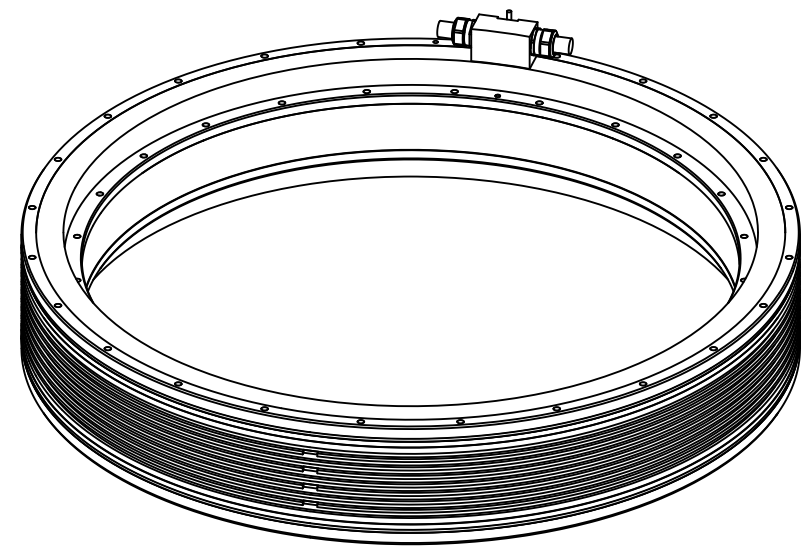
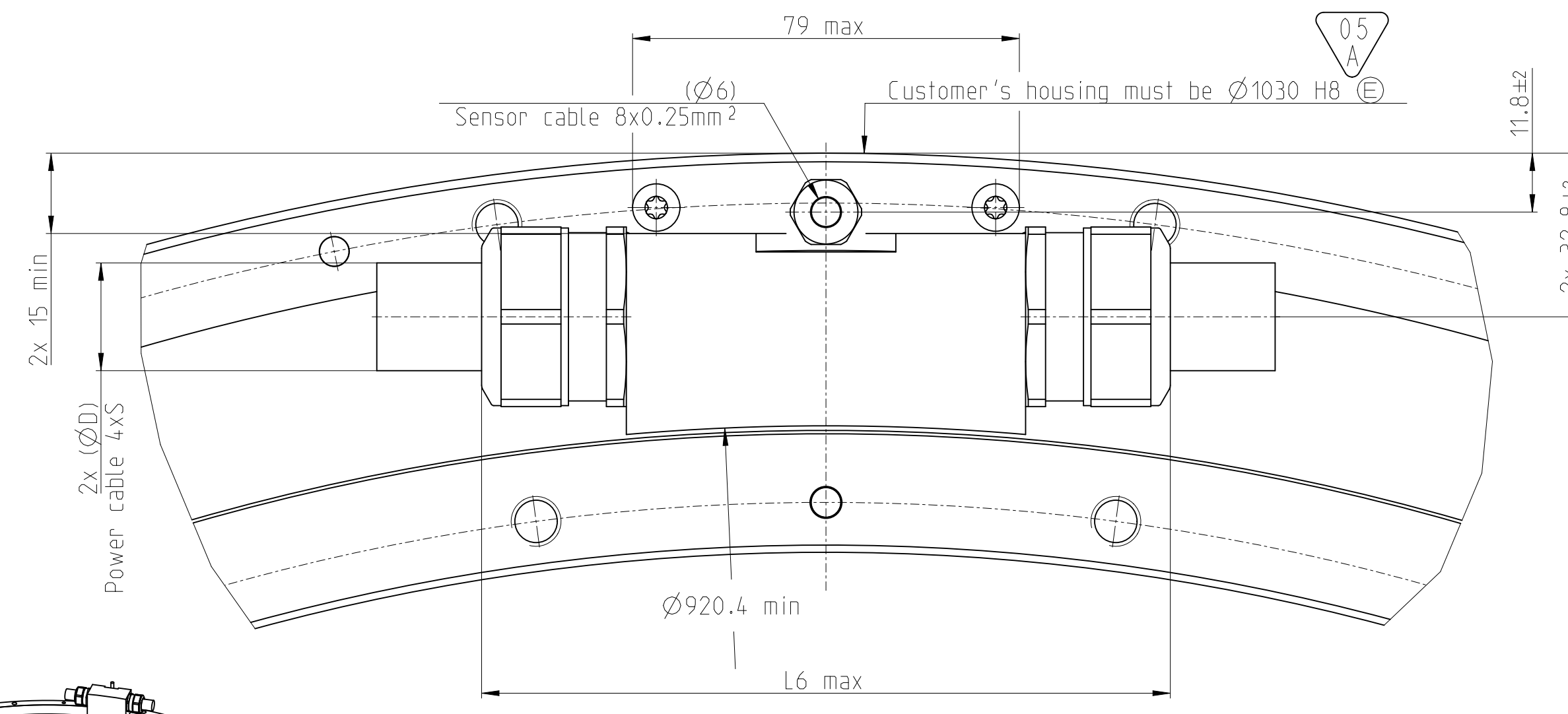
Type 5



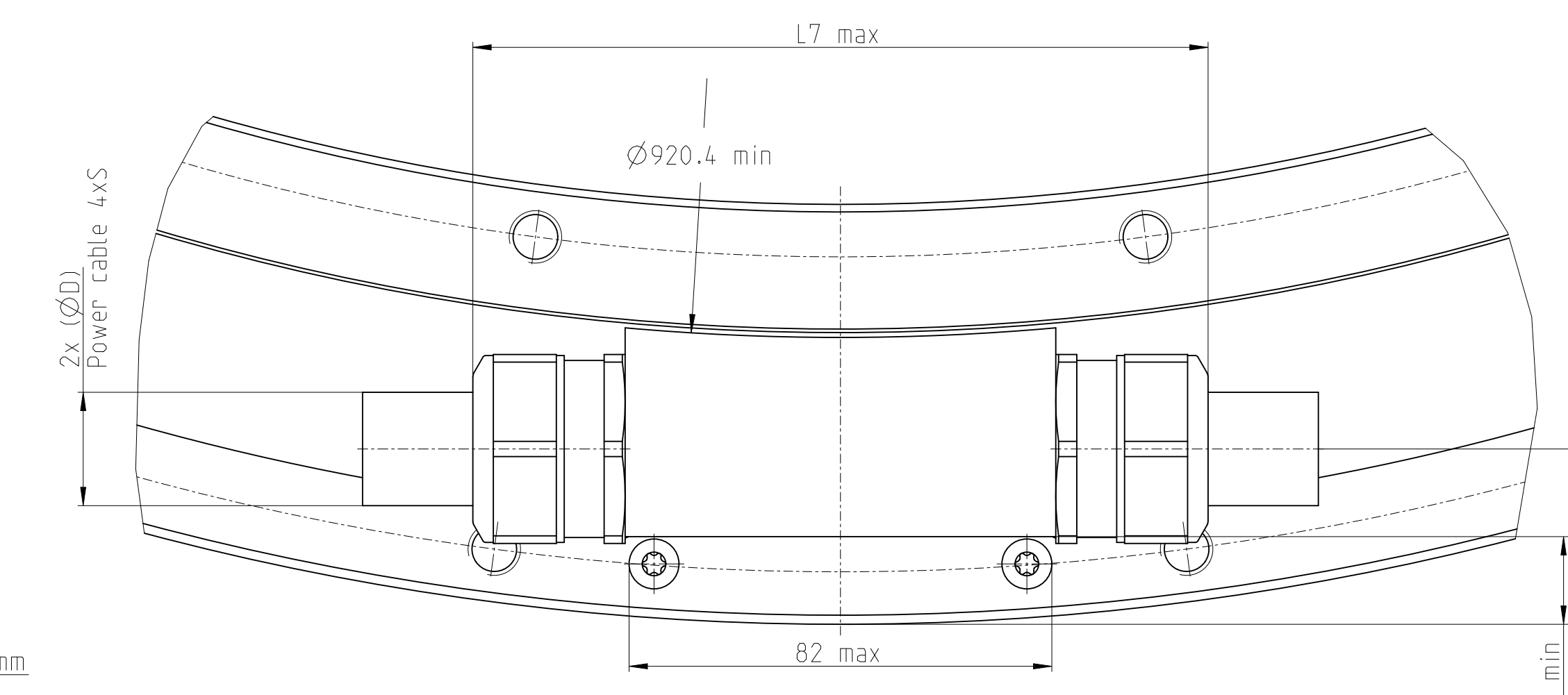
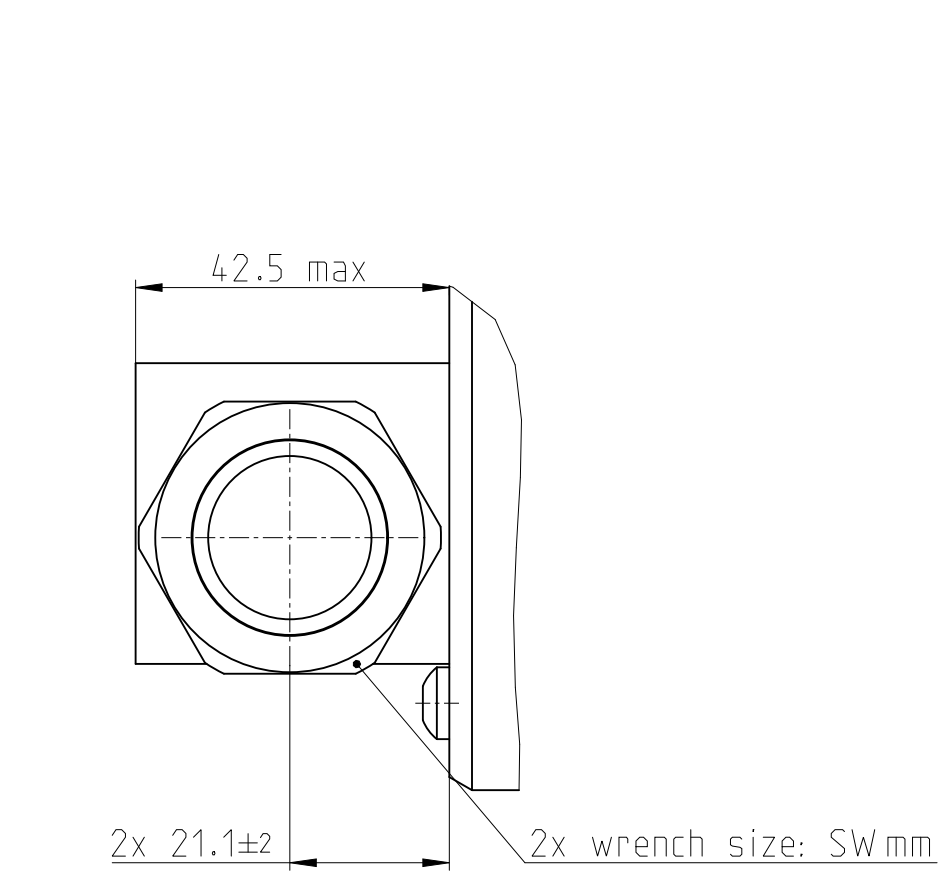
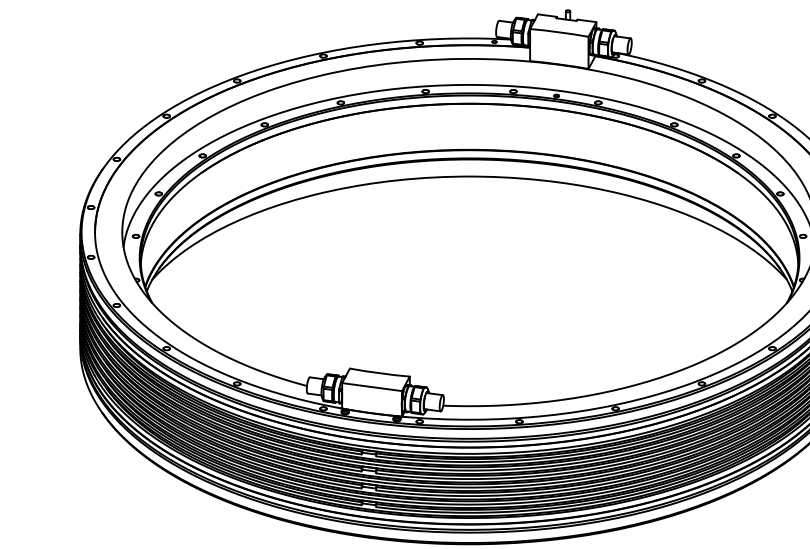
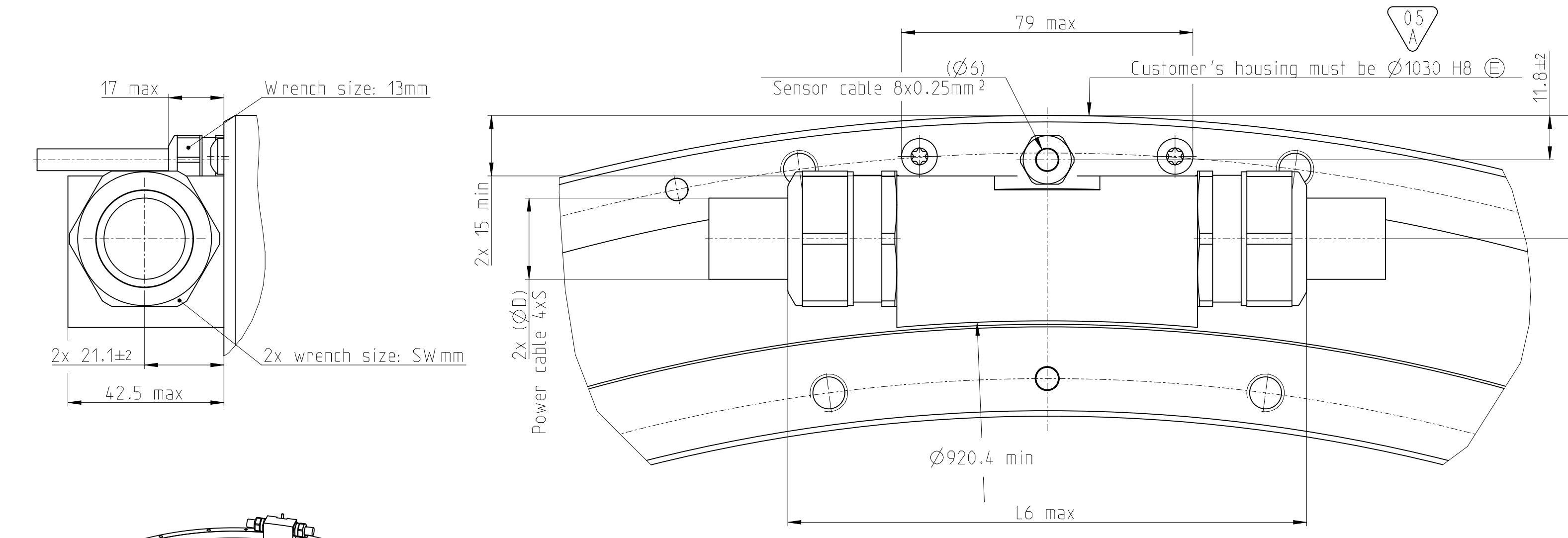
Type 2



Type 4

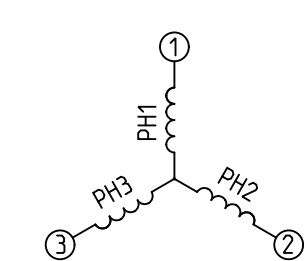


Type 6

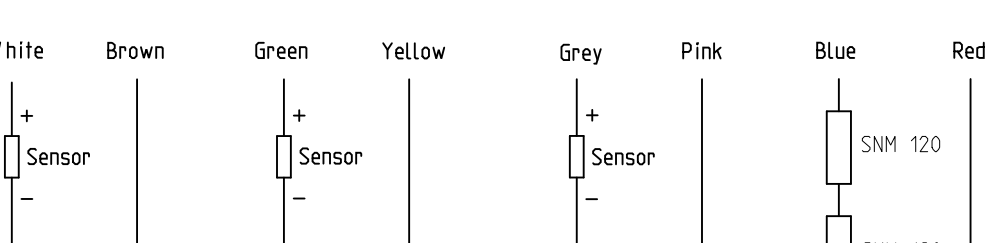


Power cable connection

Phase 1 = wire 1
Phase 2 = wire 2
Phase 3 = wire 3
PE = yellow/green wire



Sensor cable connection: "P" or "T" configuration



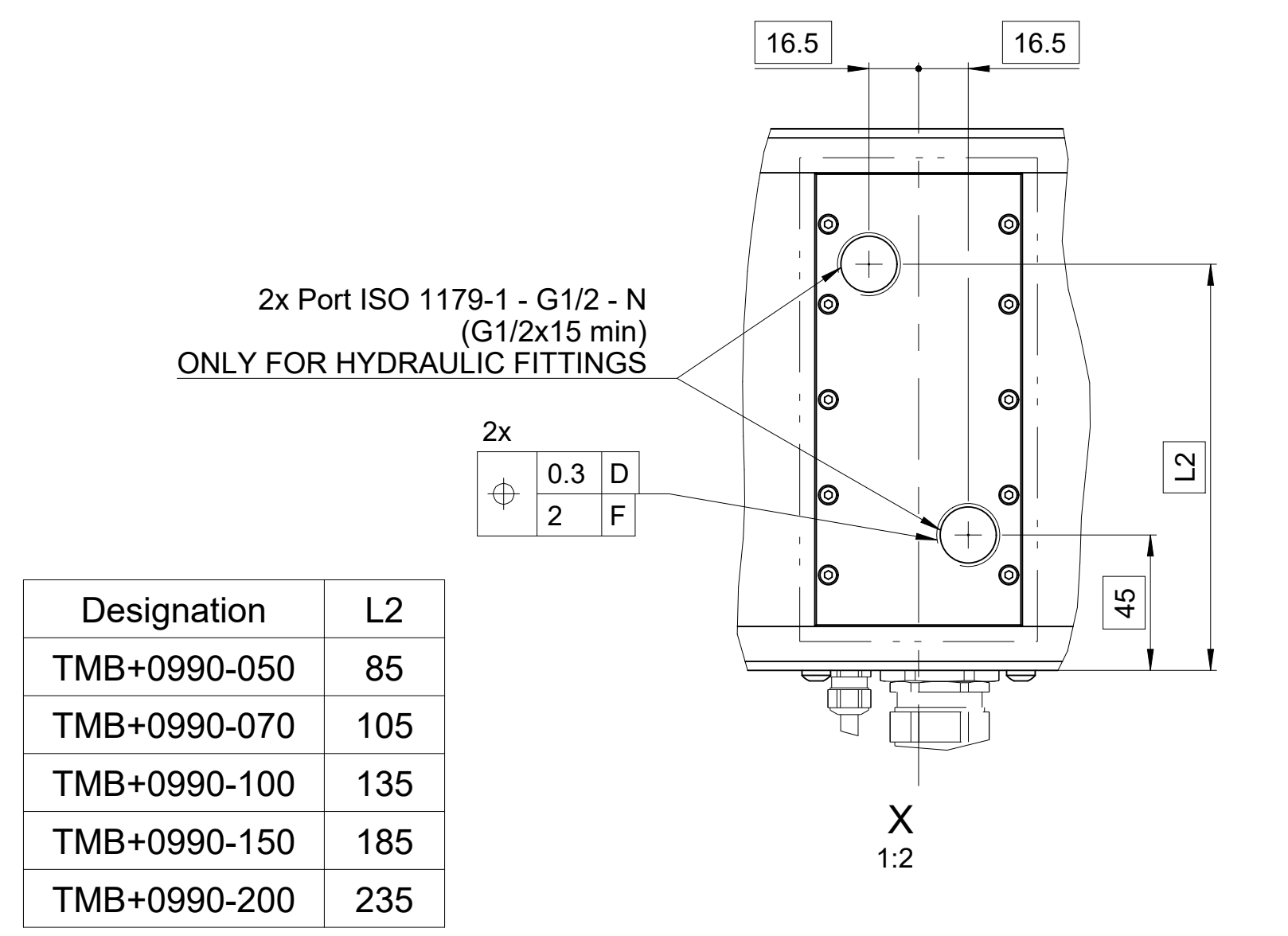
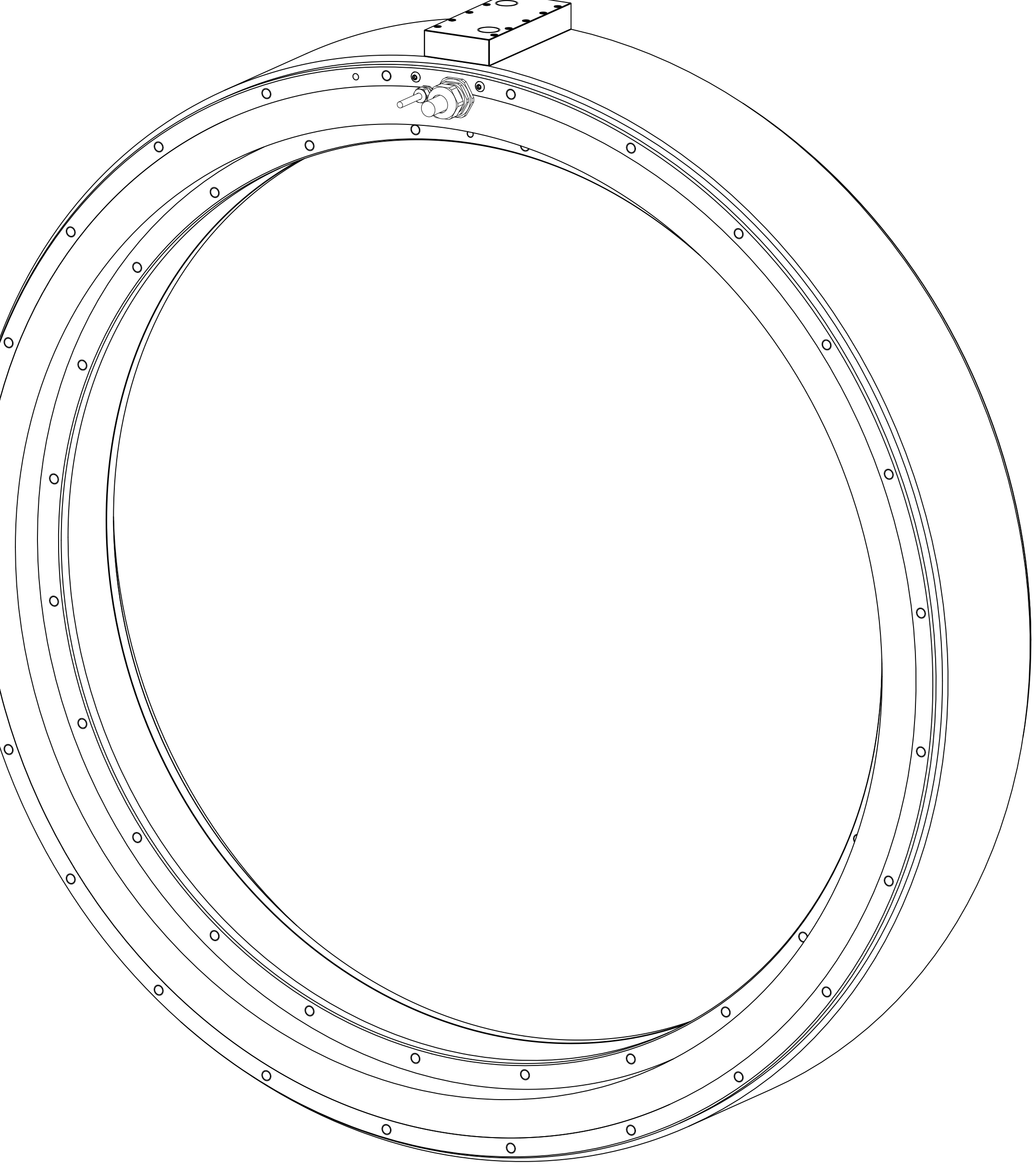
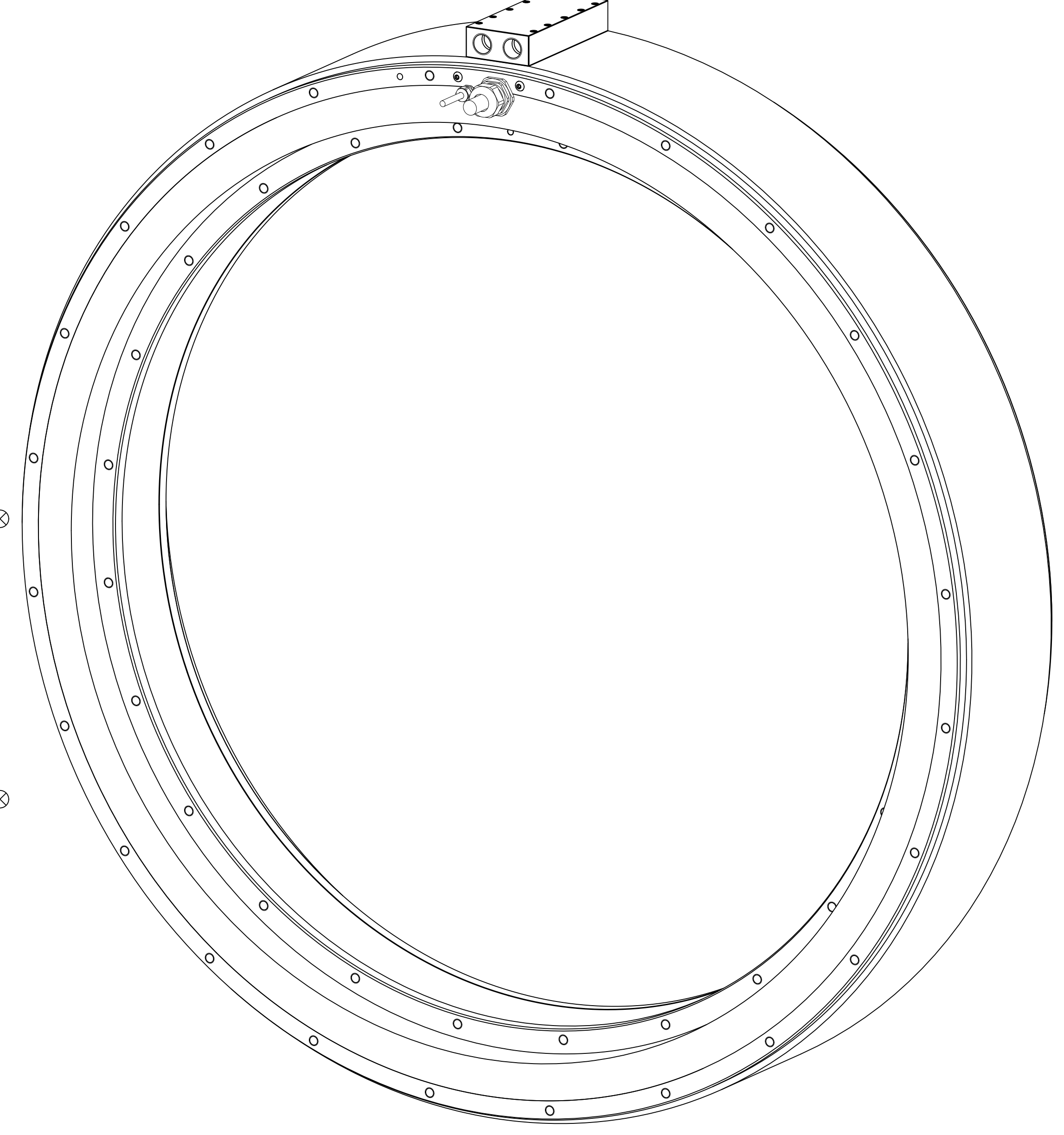
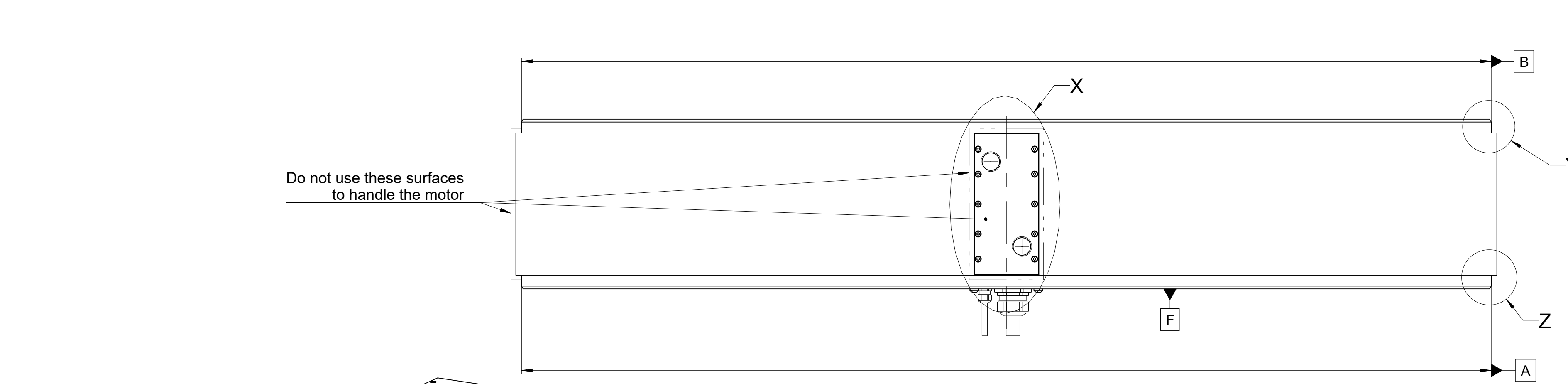
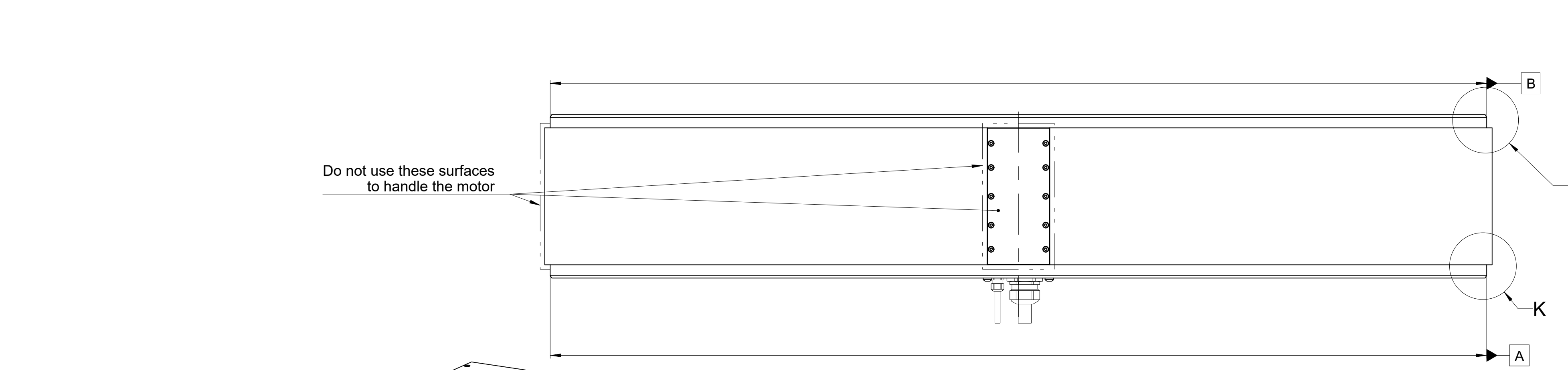
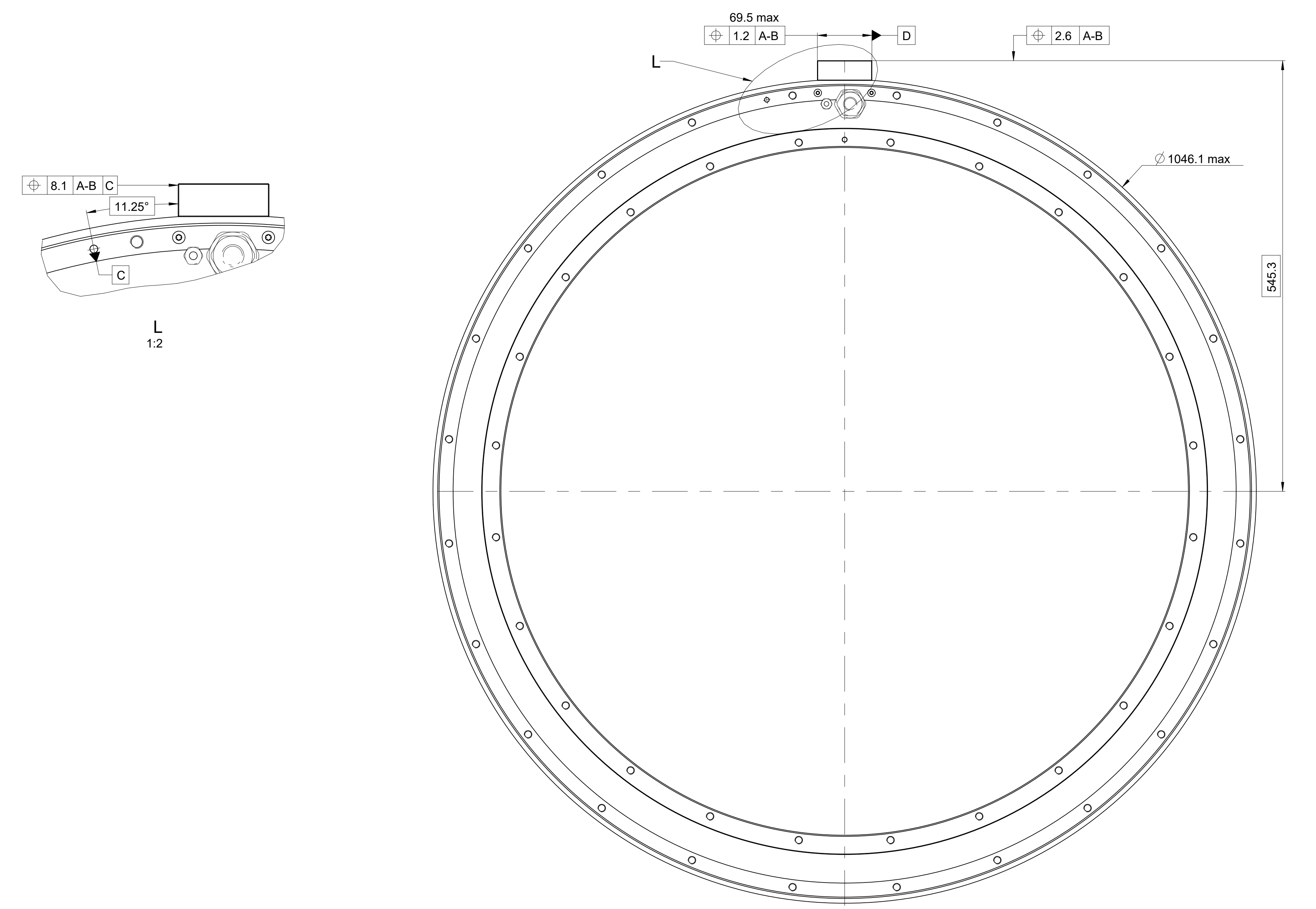
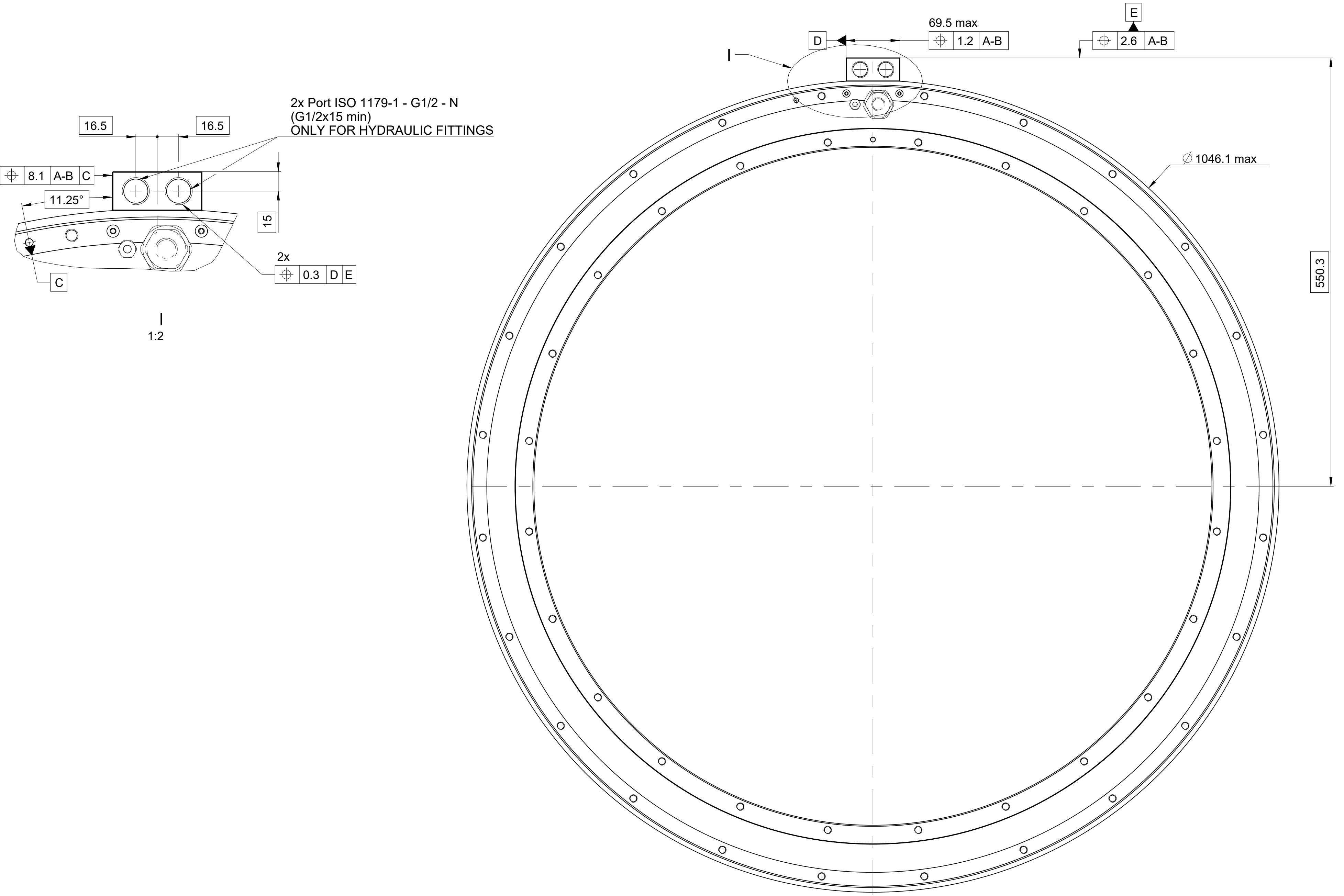
Configuration type	Sensor
"P"	KTY 84
"T"	PT 1000

Motor family	0140	0210	0290
	0175		0360
Connection	0291		0450
			0530
			0760
			0990
			1221
White - Brown	Phase 1	Phase 3	Phase 2
Green - Yellow	Phase 3	Phase 2	Phase 1
Grey - Pink	Phase 2	Phase 1	Phase 3

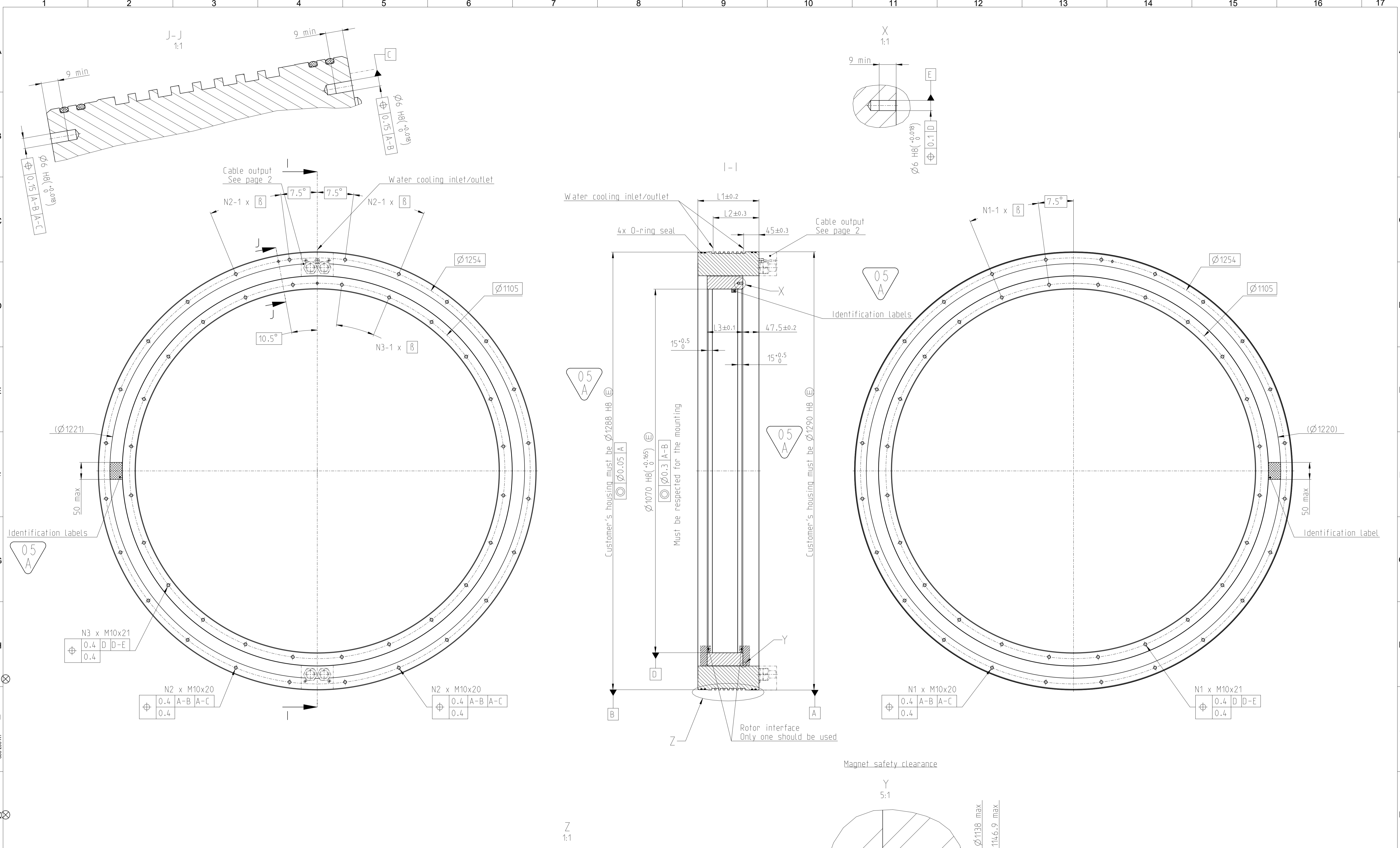
Designation	Output type	Section	H1	H2	L5	L6	L7	SW	D
[-]	[-]	[mm²]	[mm]	[mm]	[mm]	[mm]	[mm]	[mm]	[mm]
TMB-0990-###-WB#S#	Type 1	4	32.5	-	-	-	-	36	11.9
TMB-0990-###-WB#E#	Type 2		38.6	22.8	53.5	-			
TMB-0990-###-UD#S#	Type 1		35.5	-	-	-			
TMB-0990-###-UD#E#	Type 2	6	45.9	26.8	59	-	-	36	14.5
TMB-0990-###-UP#S#	Type 5		35.5	-	-	150.5	152.5		
TMB-0990-###-UP#E#	Type 6		-	-	-	-	-		
TMB-0990-###-WD#S#	Type 1	16	33	-	-	-	-	36	21.6
TMB-0990-###-WD#E#	Type 2		48.3	25.7	65.5	-	-		
TMB-0990-###-WH#S#	Type 3		33	-	-	-	-		
TMB-0990-###-WP#S#	Type 5	16	33	-	-	146	148	36	21.6
TMB-0990-###-WP#E#	Type 6		-	-	-	-	-		

TMB+0990-###-#####-A#-AA0
 (Annex to interface drawing 1177596: please check for motor and cable output information)

TMB+0990-###-#####-R#-AA0
 (Annex to interface drawing 1177596: please check for motor and cable output information)

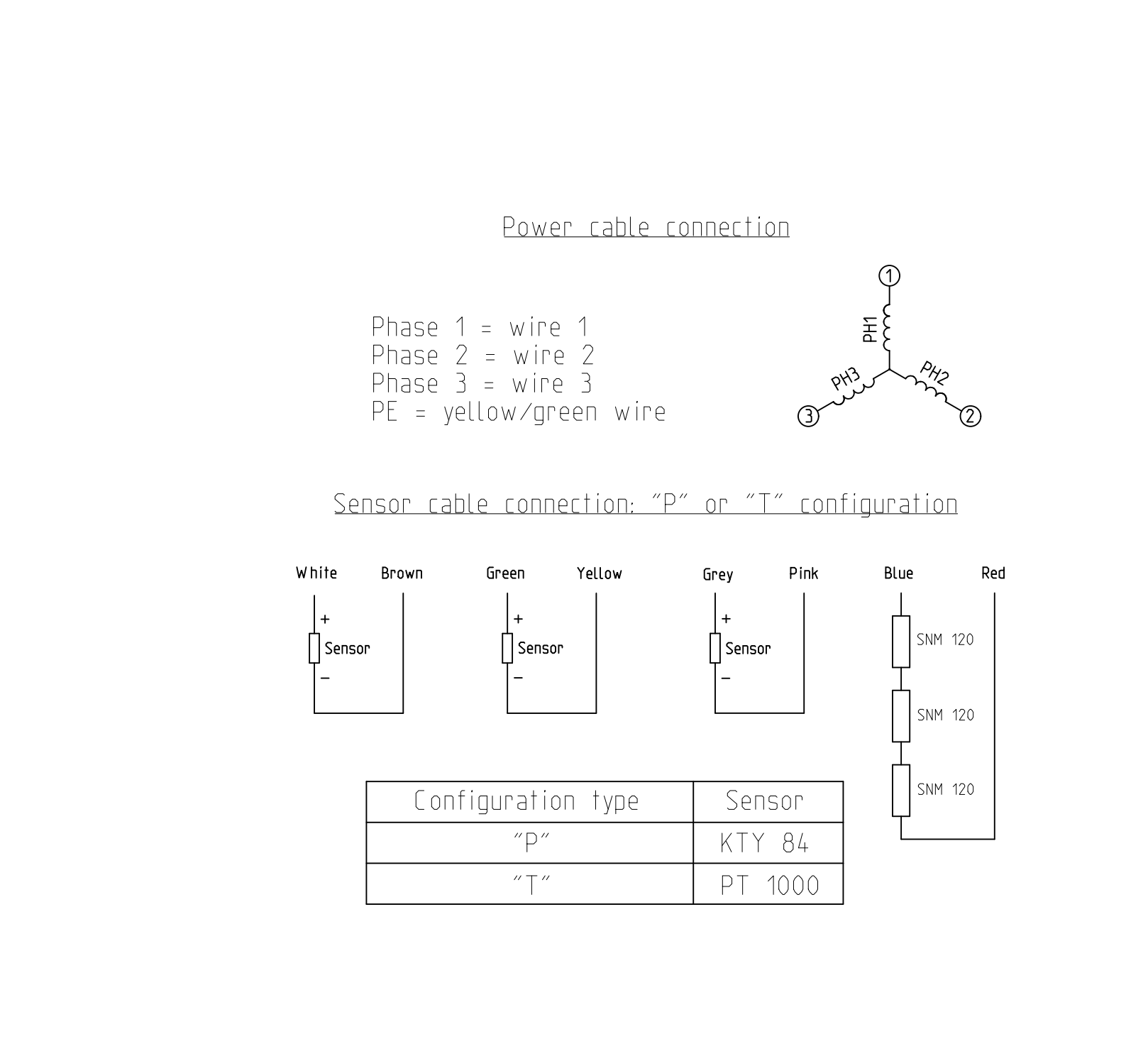
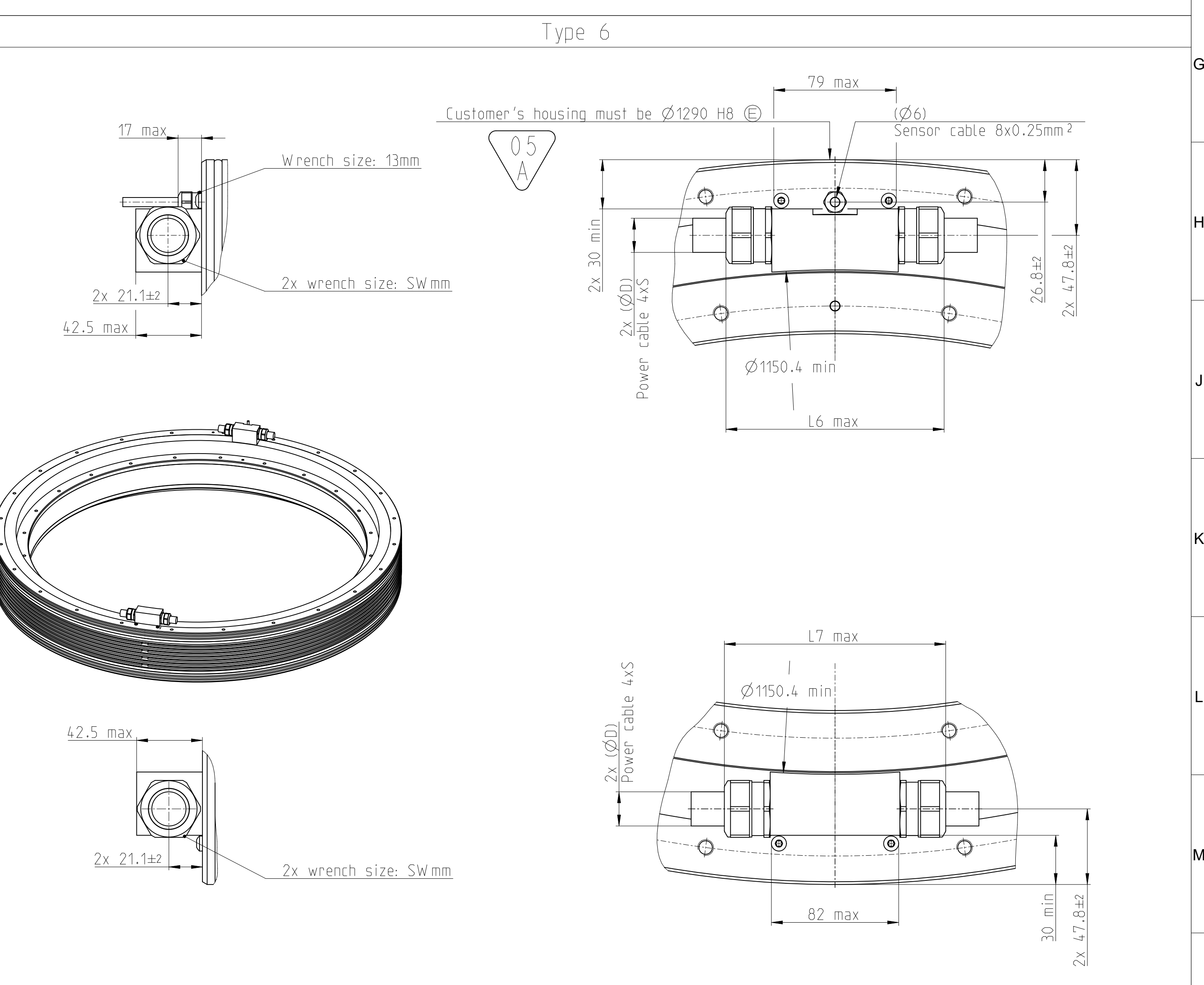
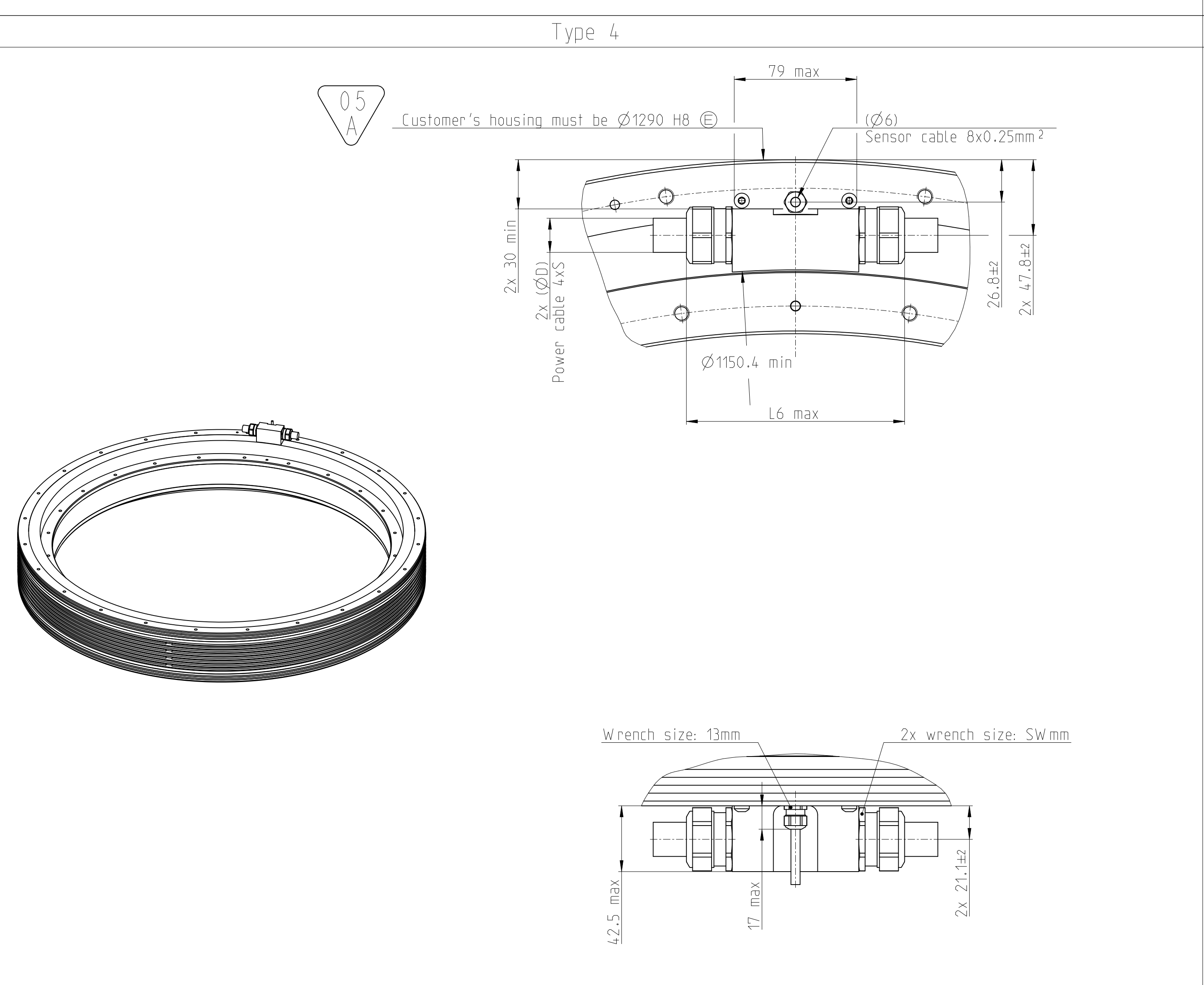
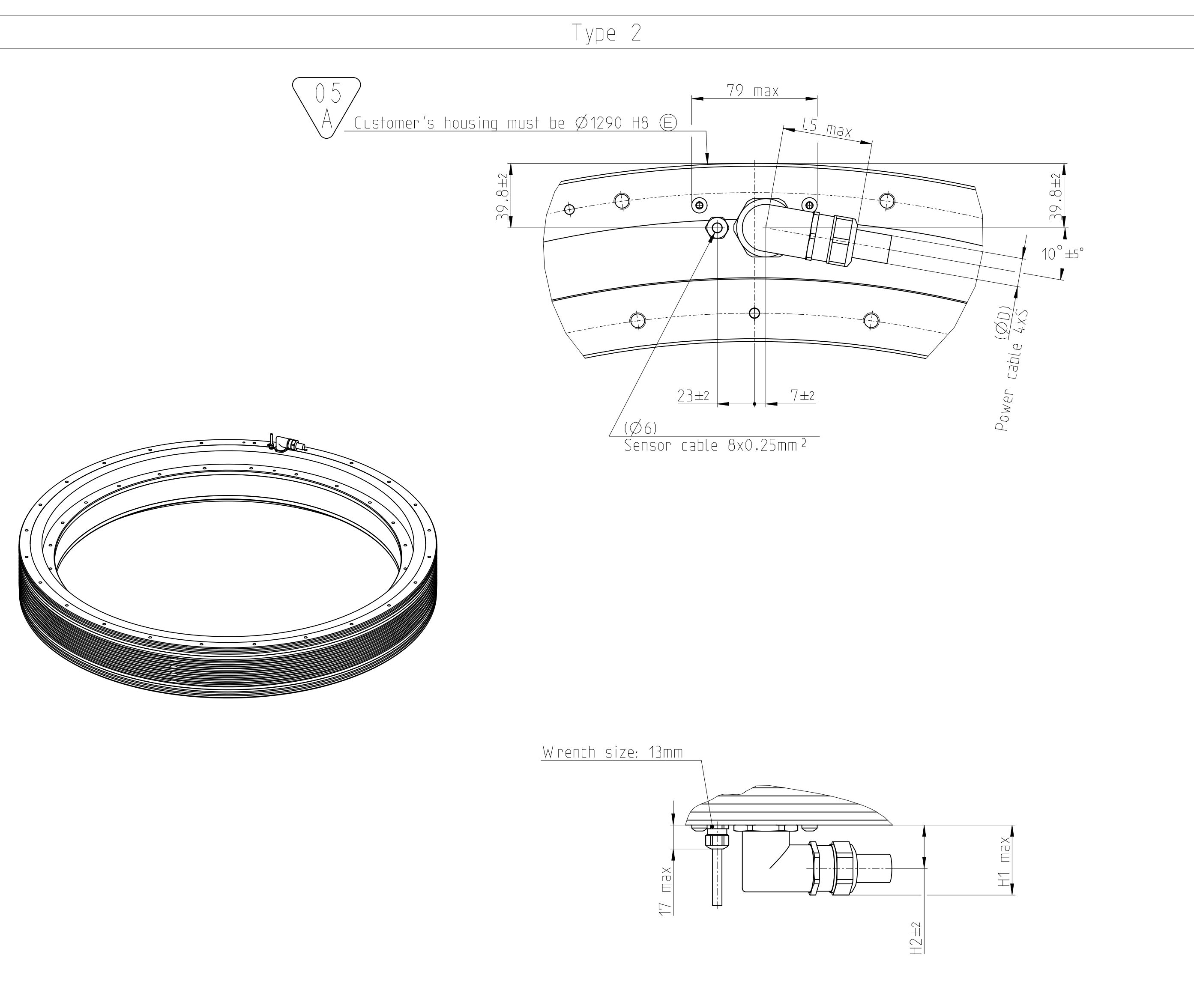
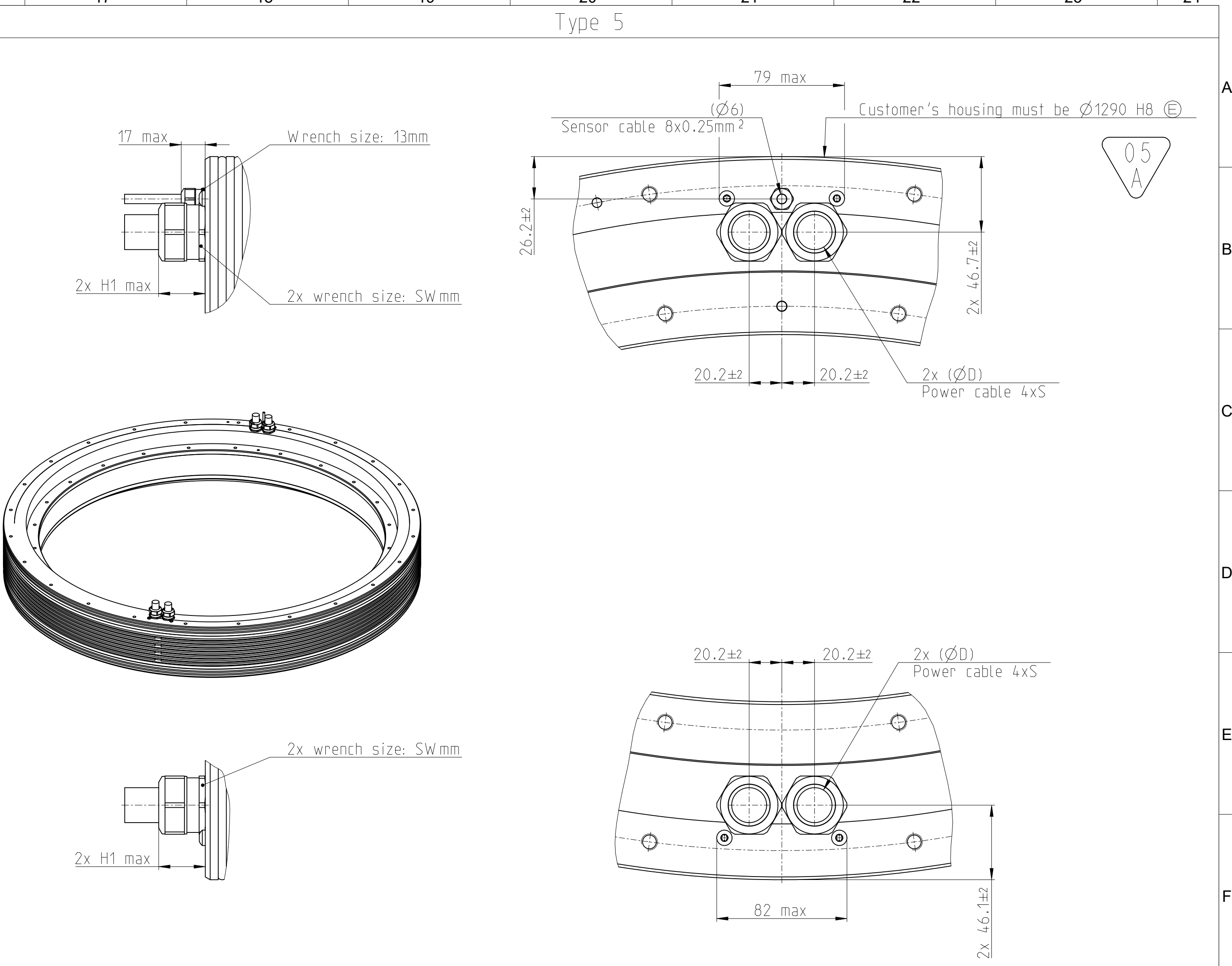
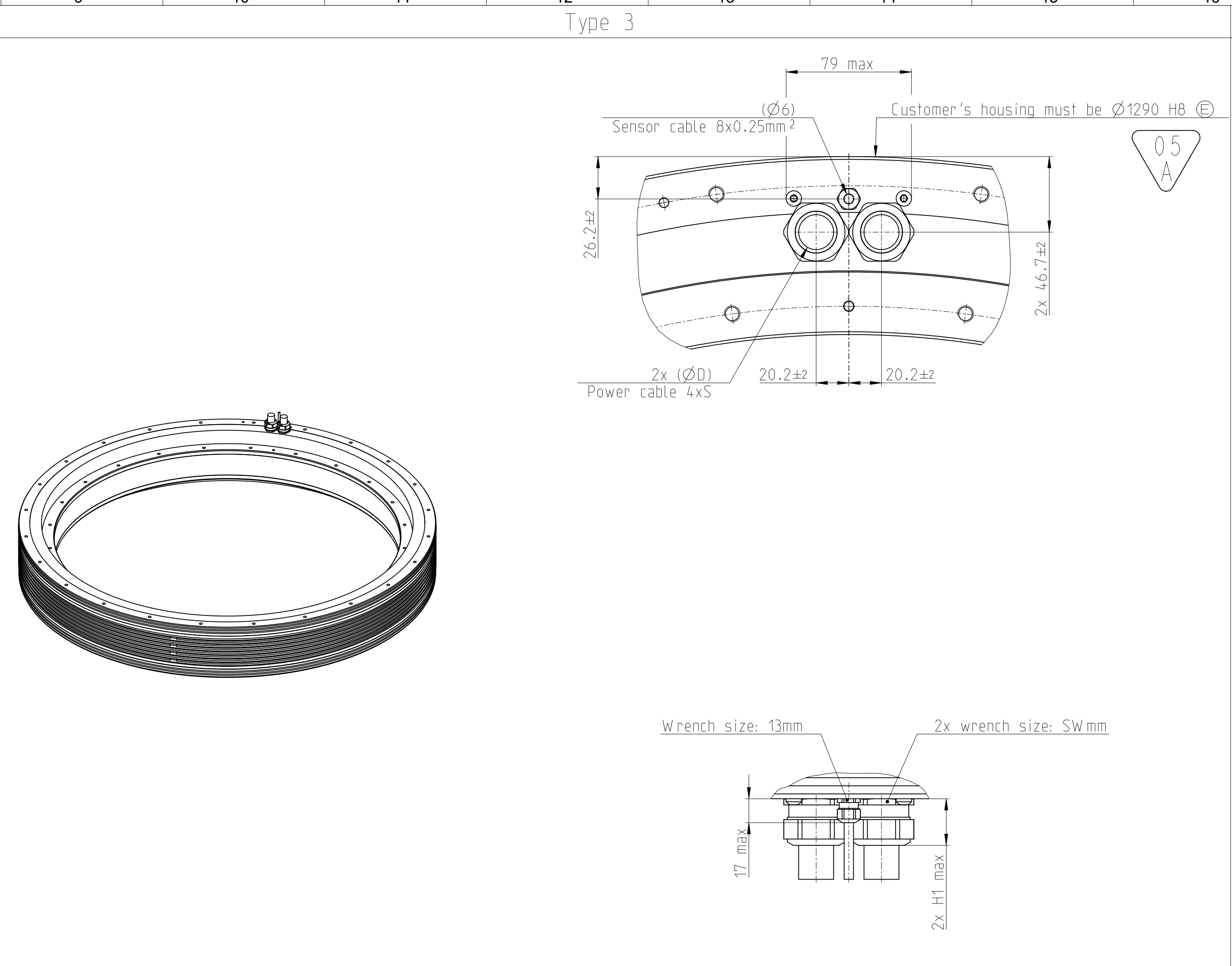
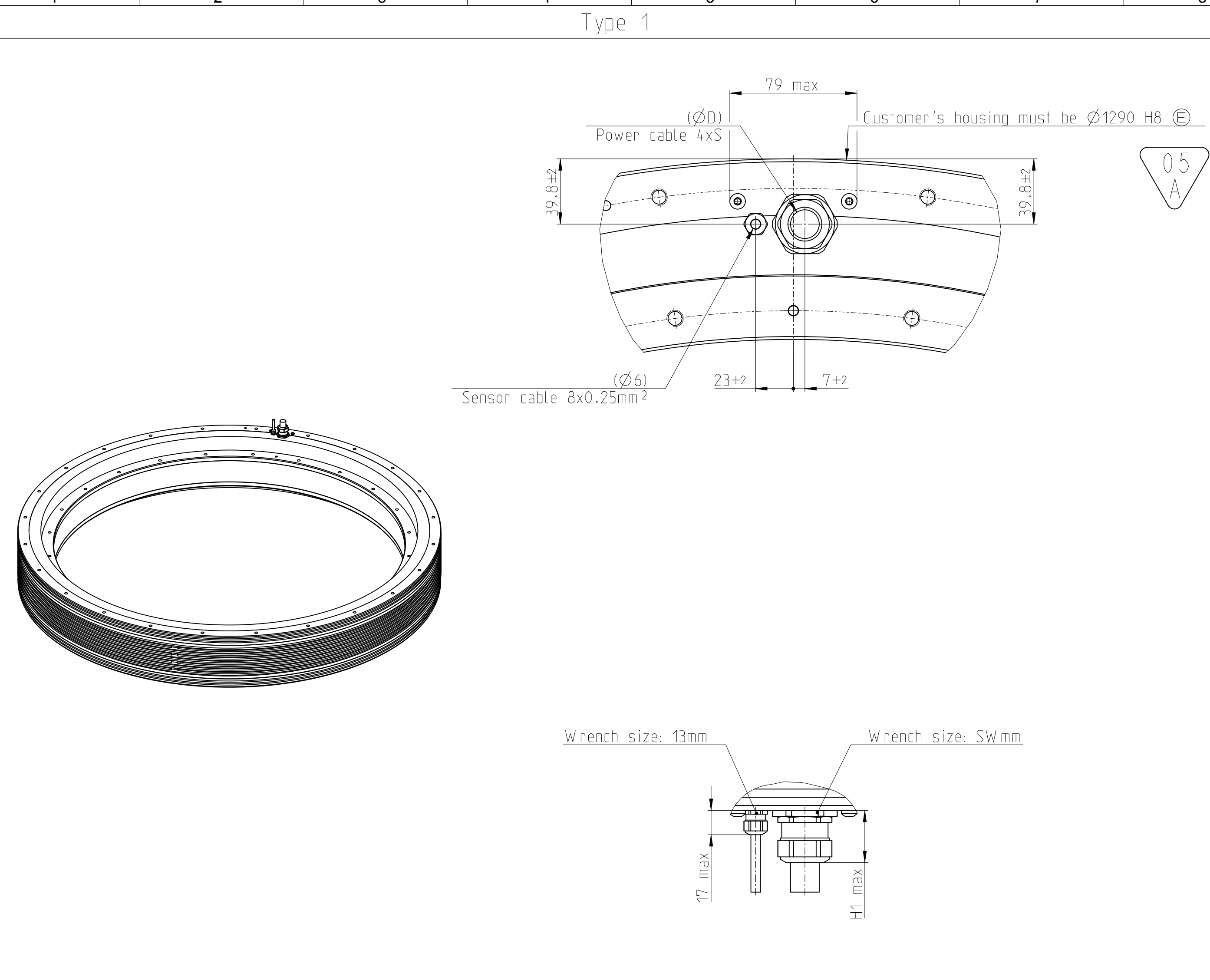


Designation	L2
TMB+0990-050	85
TMB+0990-070	105
TMB+0990-100	135
TMB+0990-150	185
TMB+0990-200	235



Designation	L1	L2	L3	N1	N2	N3	β
TMB+1221-050	130	85	55				
TMB+1221-070	150	105	75	24	12	24	15°
TMB+1221-100	180	135	105				
TMB+1221-150	230	185	155	48	23	47	7.5°
TMB+1221-200	280	235	206				

Text:		ID number:	C075986-40
Original drawing		Change No.:	14.12.2021
Scale: 1:5		Released:	
Format: A1		Tolerances as per ISO 8015 : 2011	
Dimensions in mm		Tolerances selon ISO 8015 : 2011	
		Dimensions without tolerance	± 0.2
		Dimensions sans tolérances	± 0.2
The reproduction, distribution and utilization of this document as well as the communication of its contents to others without express authorization is prohibited. Offenders will be held liable for the payment of damages. All rights reserved in the event of the grant of a patent, utility model or design. (ISO 18015)			
ETEL		ETEL S.A. 2112 Möllers SWITZERLAND	Version Revision Sheet Page 1175520-05-A-01 1 of 2



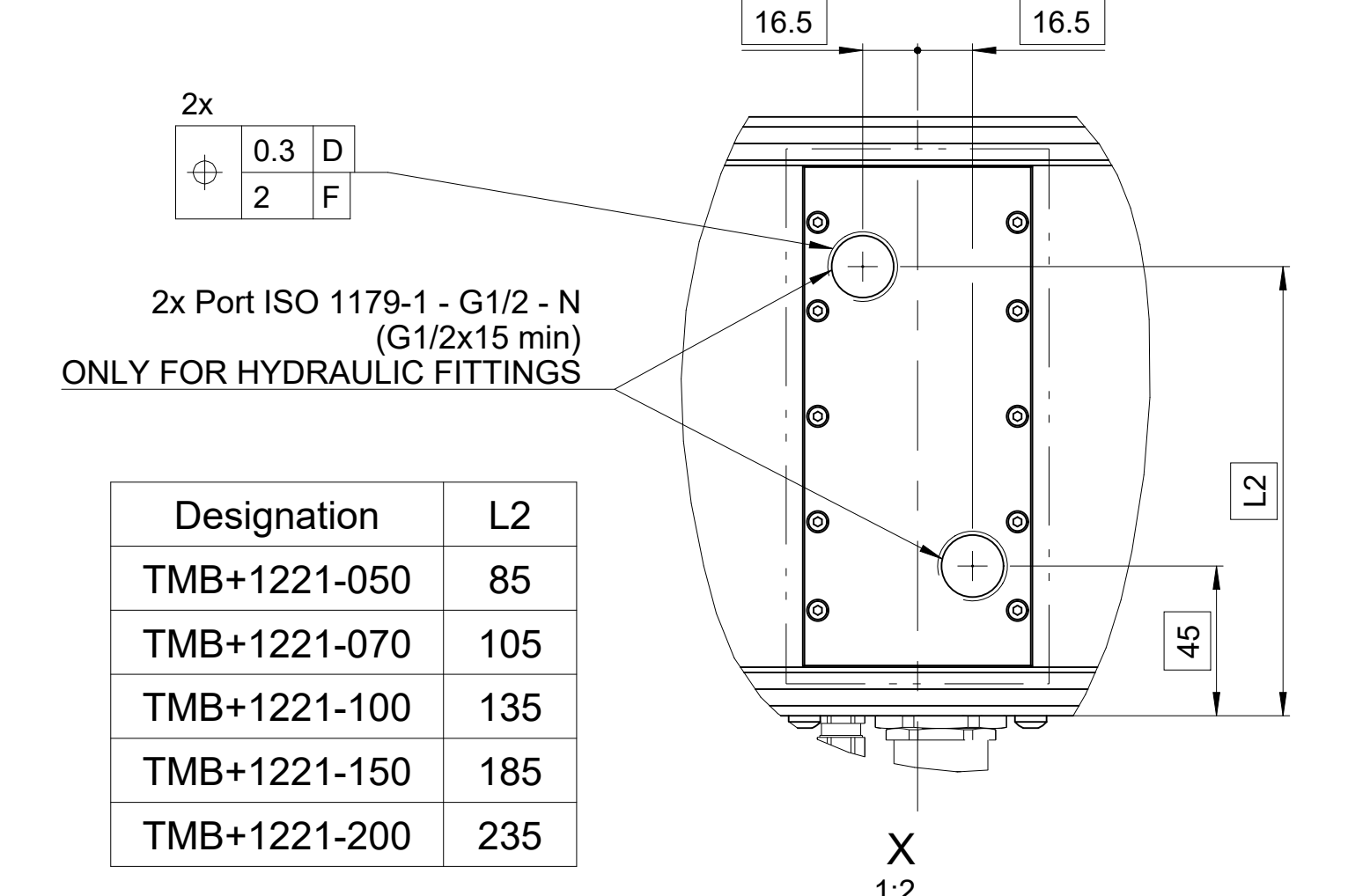
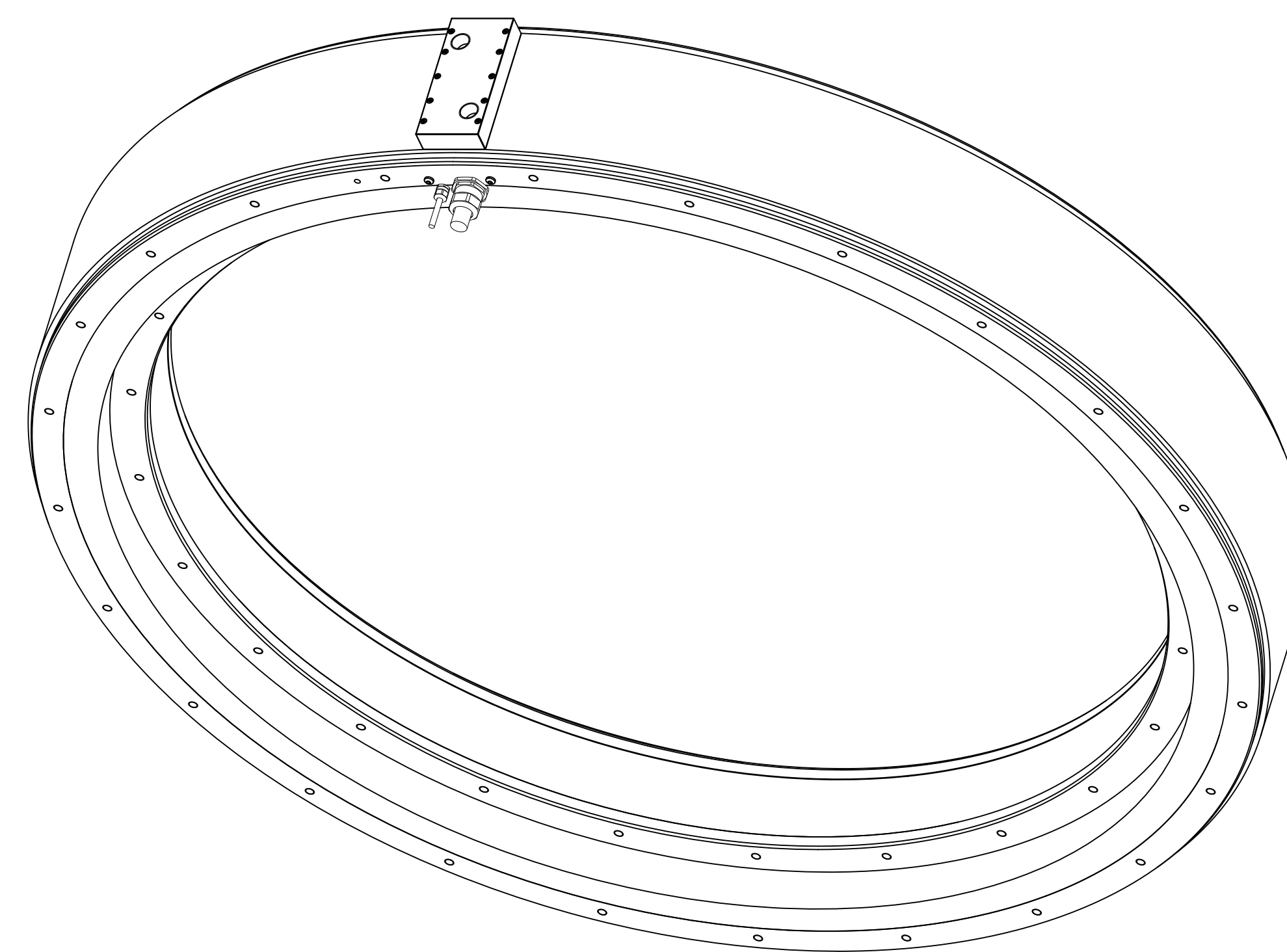
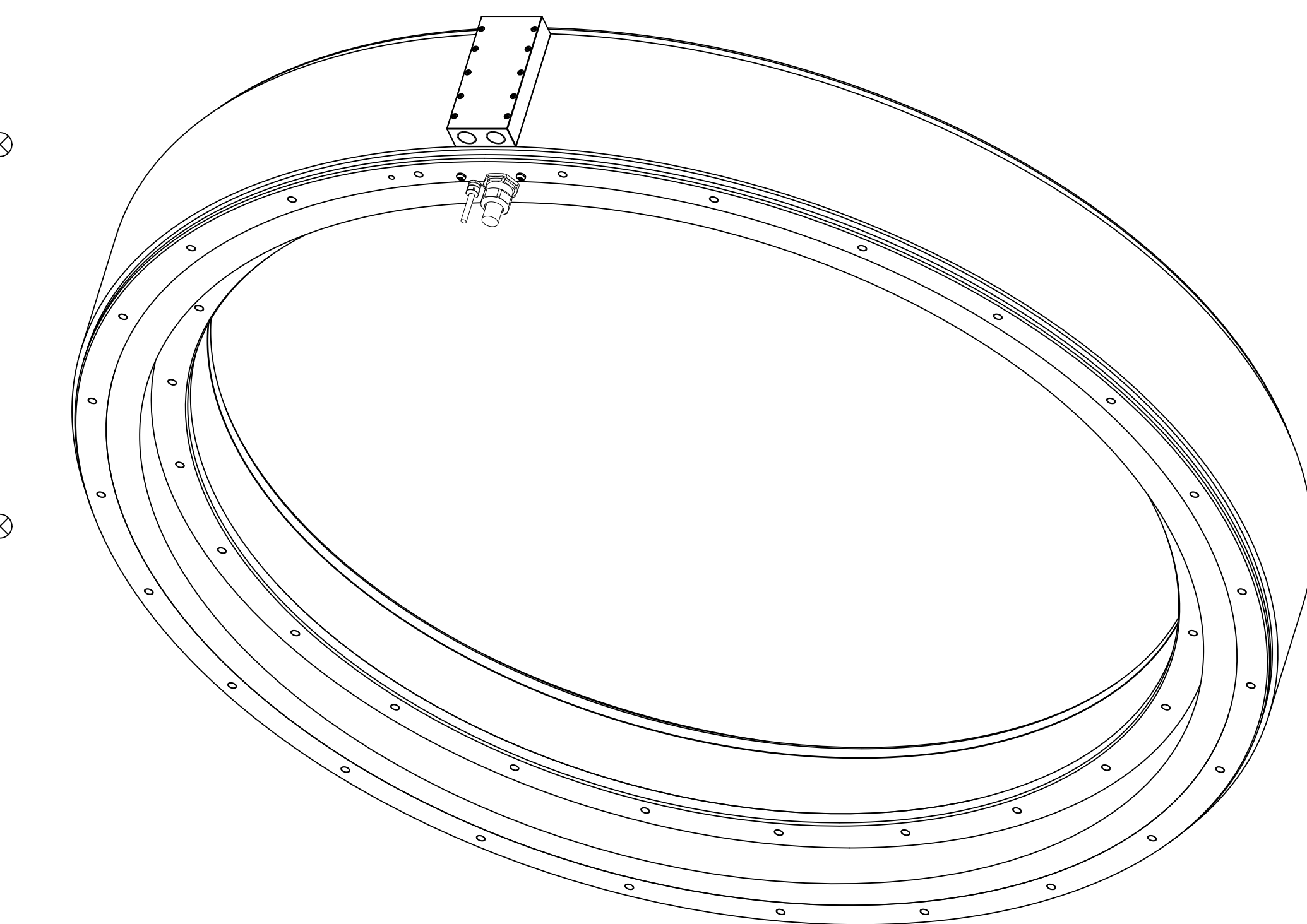
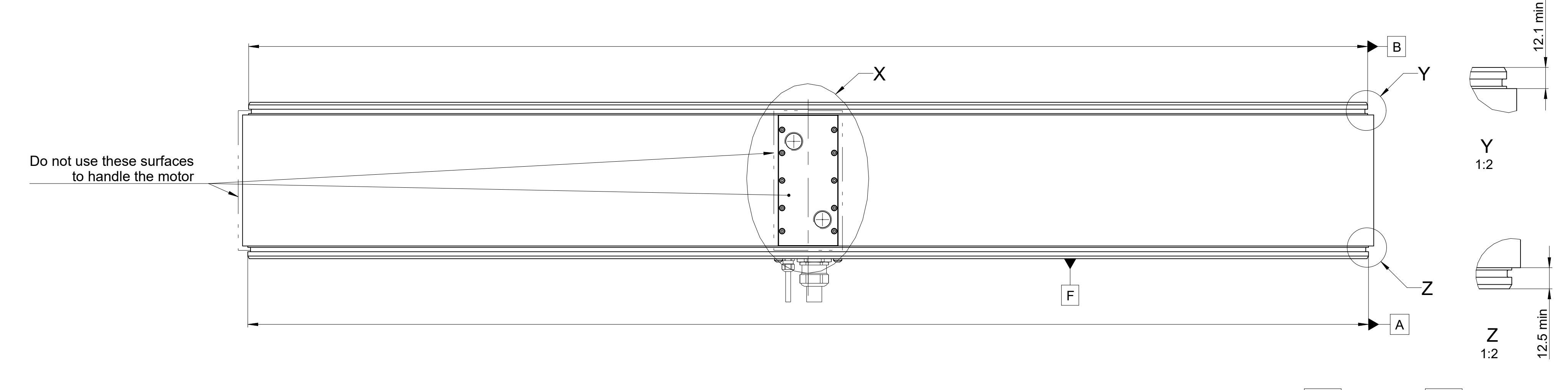
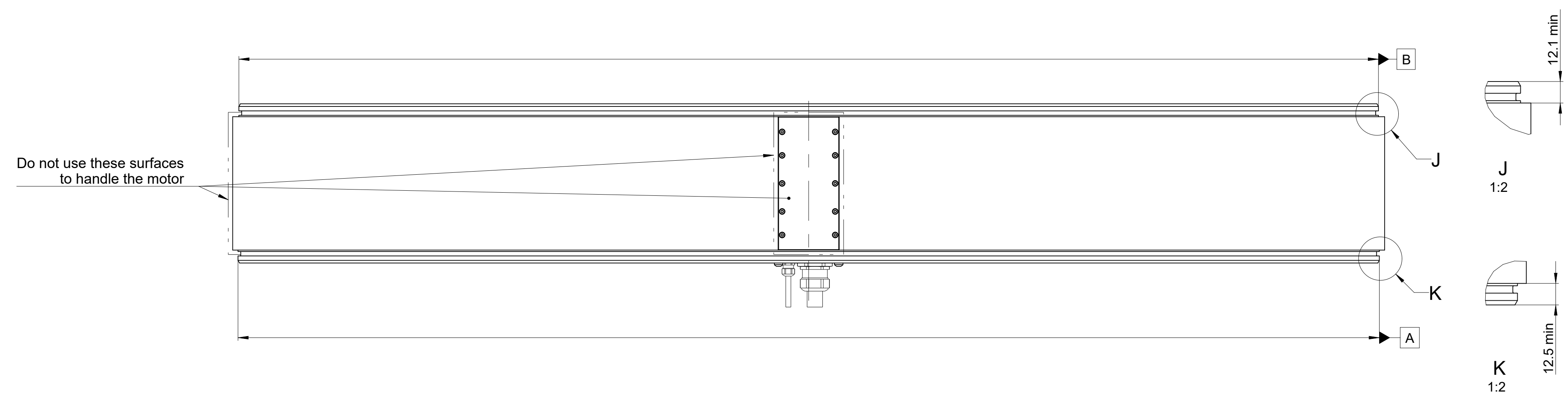
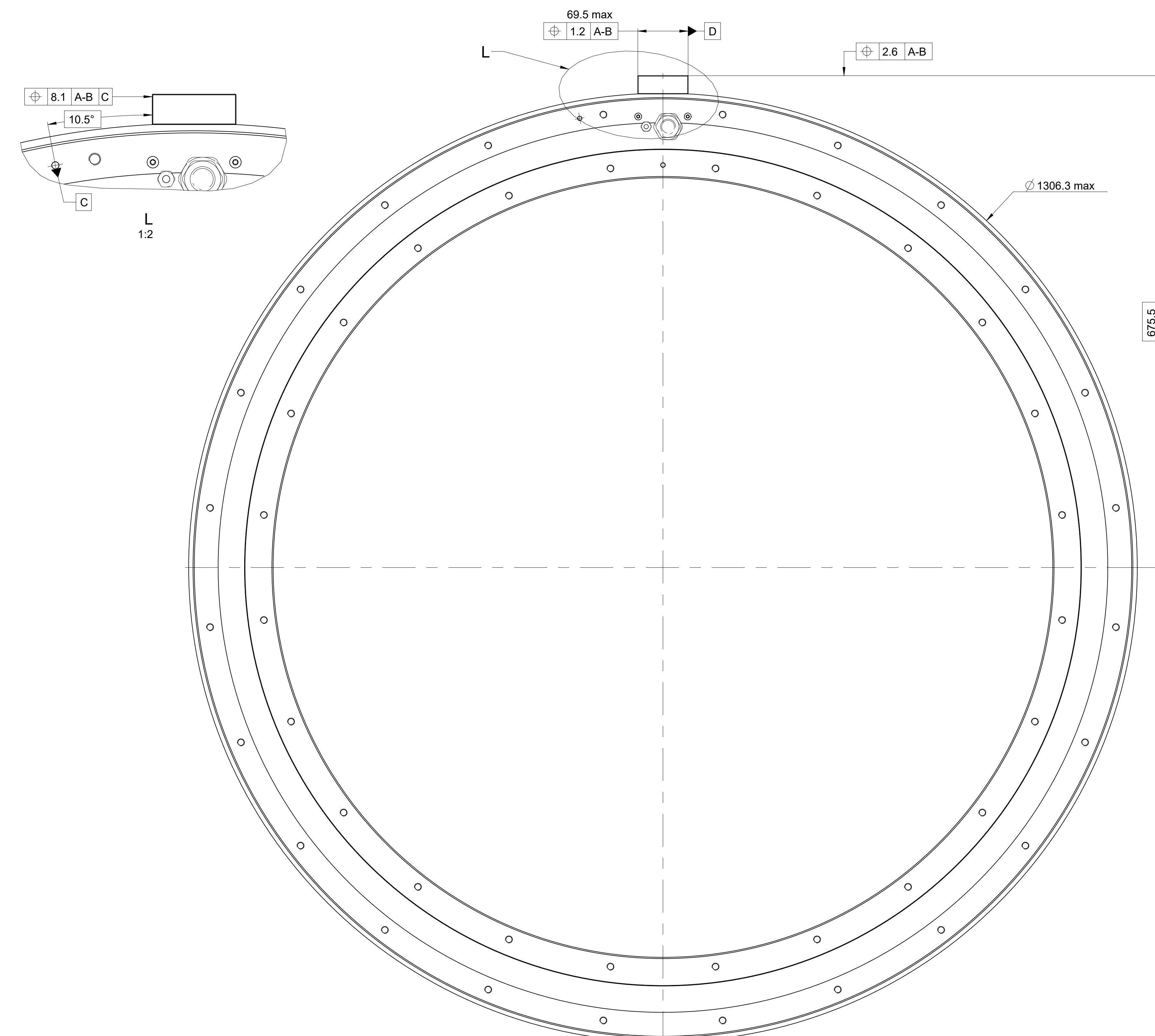
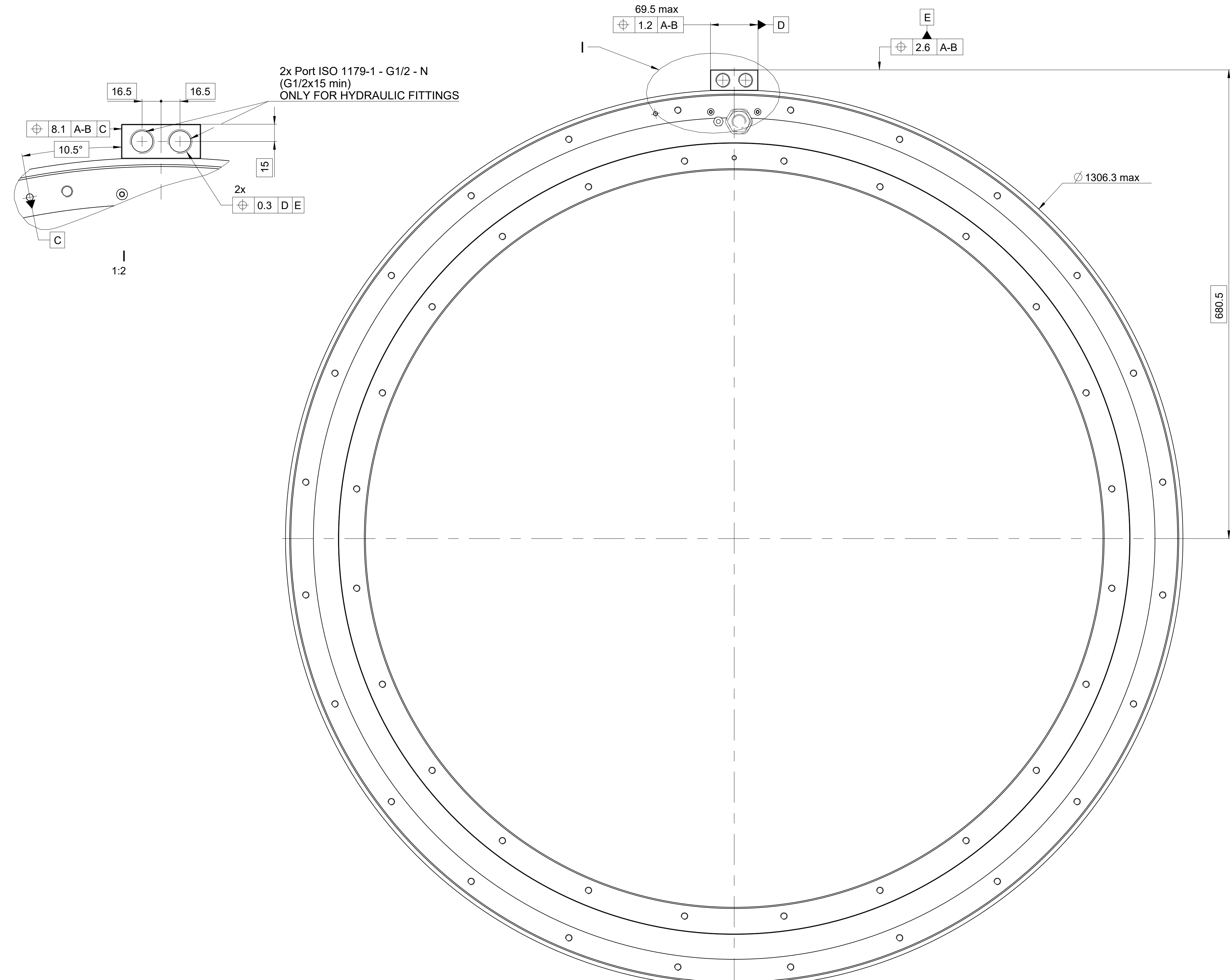
Motor family	0140	0210	0290
0140			0360
0175			0450
0291			0530
			0760
			0990
			1221

Connection	Phase 1	Phase 3	Phase 2
White - Brown	Phase 1	Phase 3	Phase 2
Green - Yellow	Phase 3	Phase 2	Phase 1
Grey - Pink	Phase 2	Phase 1	Phase 3

Designation	Output type	S=Wire section	L5	L6	L7	H1	H2	D	SW	Bending radius
[-]	[-]	[mm²]	[mm]	[mm]	[mm]	[mm]	[mm]	[mm]	[mm]	[mm]
TMB+1221-###-WB#S#	Type 1	4	-	-	-	32.5	-	11.9	-	Static bending radius for: - sensor cable = 30 - power cable = 4x Øext.
TMB+1221-###-WB#E#	Type 2	-	53.5	-	-	38.6	22.8	-	-	
TMB+1221-###-UD#S#	Type 1	6	-	-	-	35.5	-	14.5	-	
TMB+1221-###-UD#E#	Type 2	-	59	-	-	45.9	26.8	-	-	
TMB+1221-###-UE#S#	Type 1	-	-	-	-	38.5	-	-	-	
TMB+1221-###-UE#E#	Type 2	-	62	-	-	45.9	26.8	-	-	
TMB+1221-###-UJ#S#	Type 3	-	-	-	-	38.5	-	-	-	
TMB+1221-###-UJ#E#	Type 4	-	-	156.5	-	-	-	17.5	-	
TMB+1221-###-UT#S#	Type 5	-	-	156.5	158.5	-	-	-	-	
TMB+1221-###-UT#E#	Type 6	-	-	156.5	158.5	-	-	-	-	
TMB+1221-###-WD#S#	Type 1	-	-	-	-	38.5	-	-	-	
TMB+1221-###-WD#E#	Type 2	-	62	-	-	45.9	26.8	-	-	
TMB+1221-###-WJ#S#	Type 1	-	-	-	-	33	-	-	-	
TMB+1221-###-WJ#E#	Type 2	-	65.5	-	-	48.3	25.7	-	-	
TMB+1221-###-WT#S#	Type 5	-	-	-	-	33	-	21.6	-	
TMB+1221-###-WT#E#	Type 6	-	-	14.6	14.8	-	-	-	-	

TMB+1221-###-#####-A#-AA0
 (Annex to interface drawing 1175520: please check for motor and cable output information)

TMB+1221-###-#####-R#-AA0
 (Annex to interface drawing 1175520: please check for motor and cable output information)



Designation	L2
TMB+1221-050	85
TMB+1221-070	105
TMB+1221-100	135
TMB+1221-150	185
TMB+1221-200	235