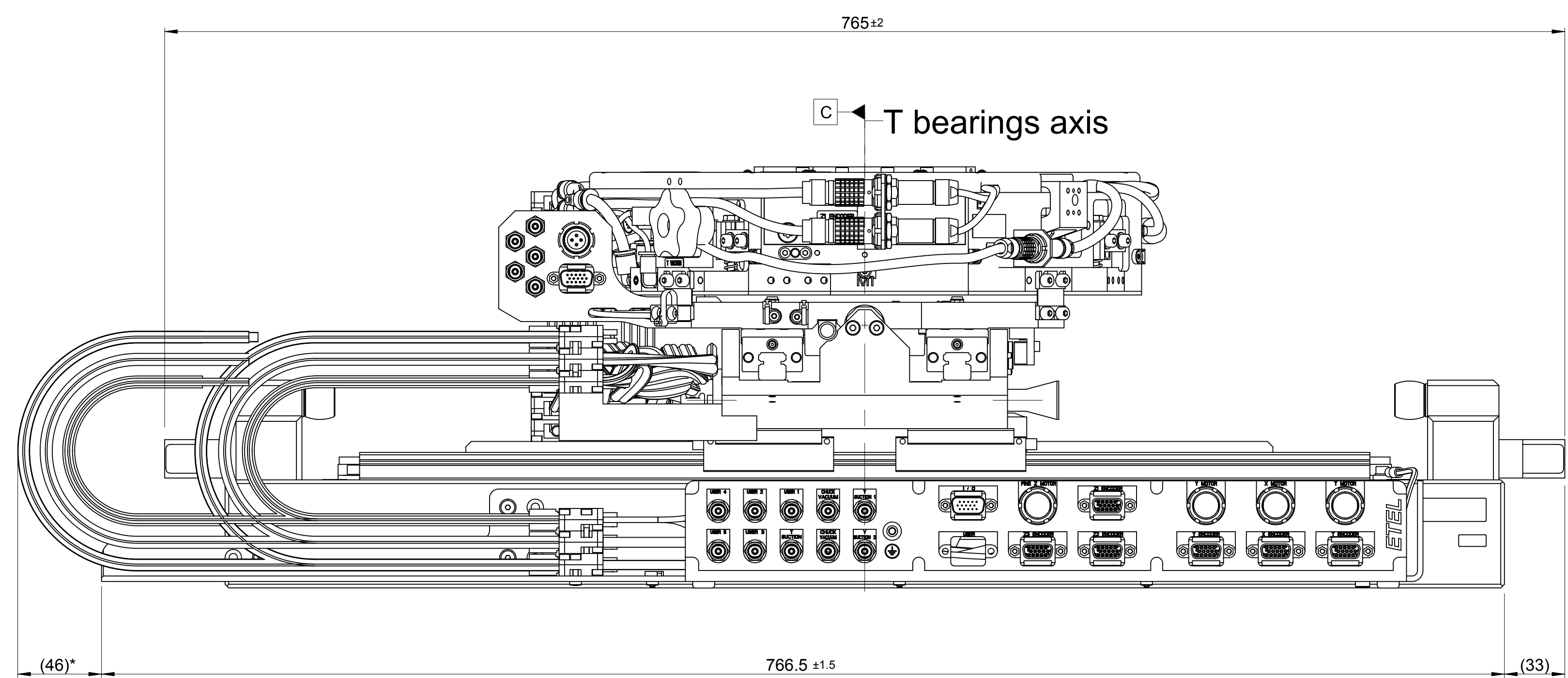


* Dimensions with cables at the end of course + 10mm bumpers compression

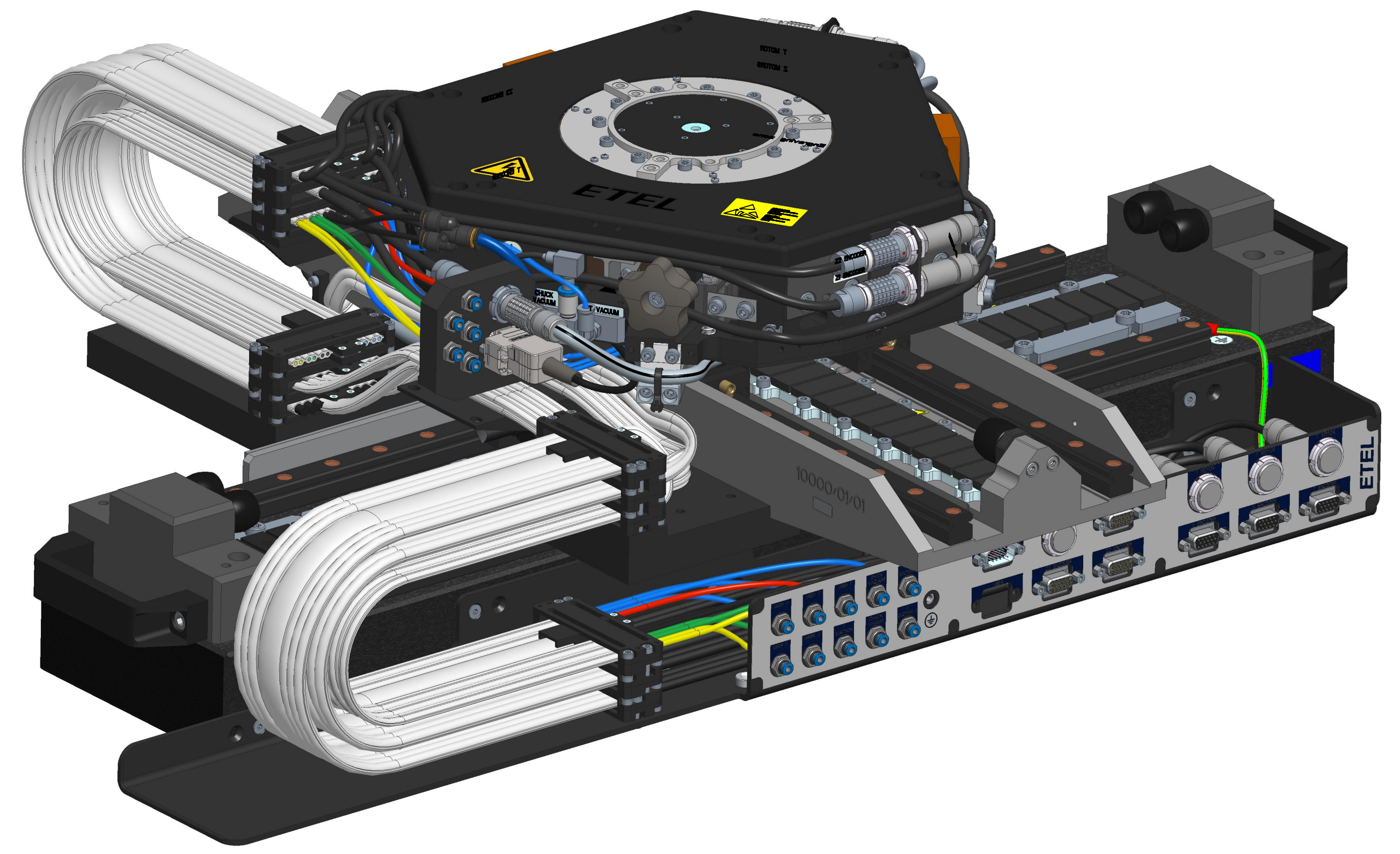
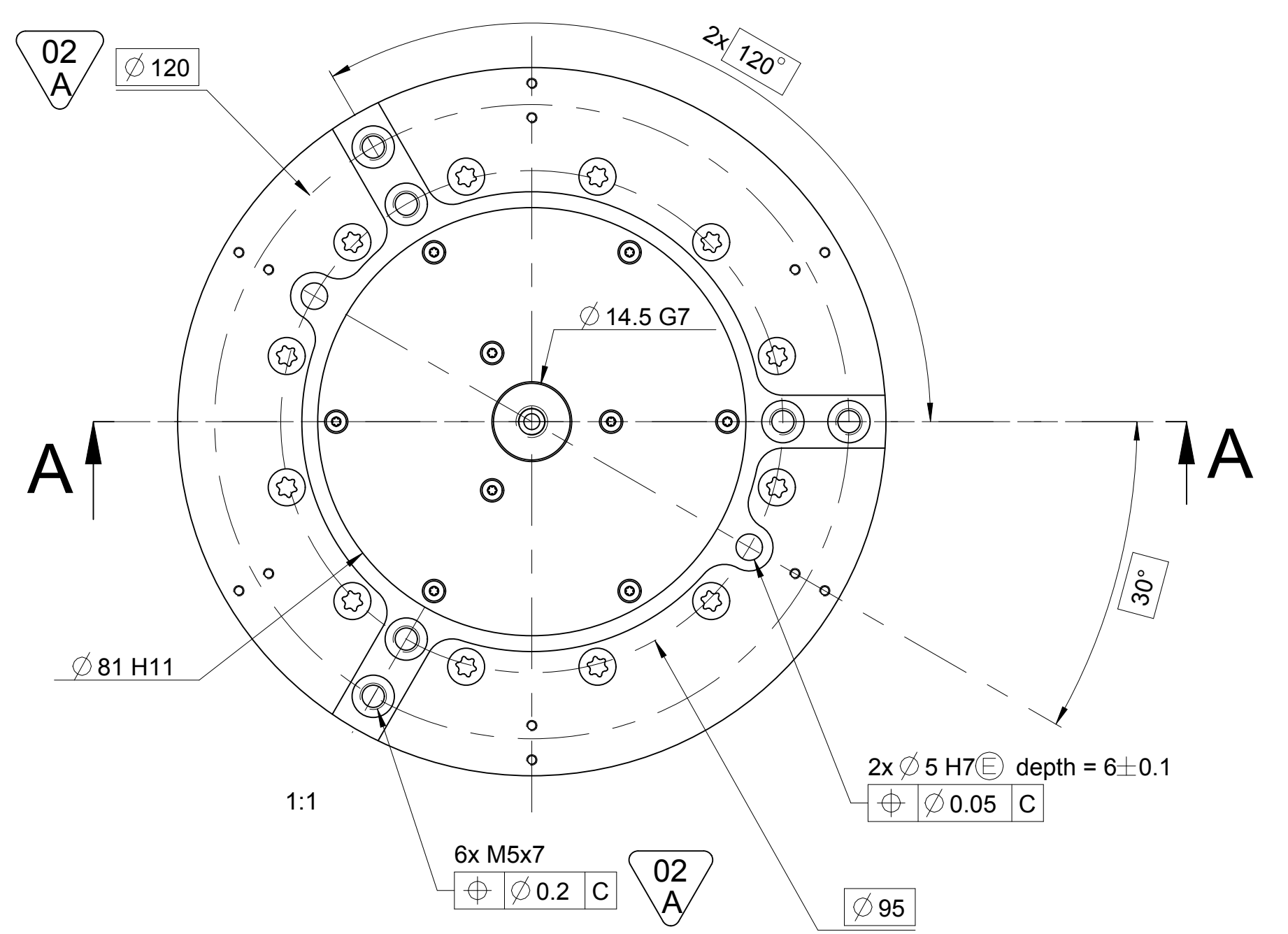
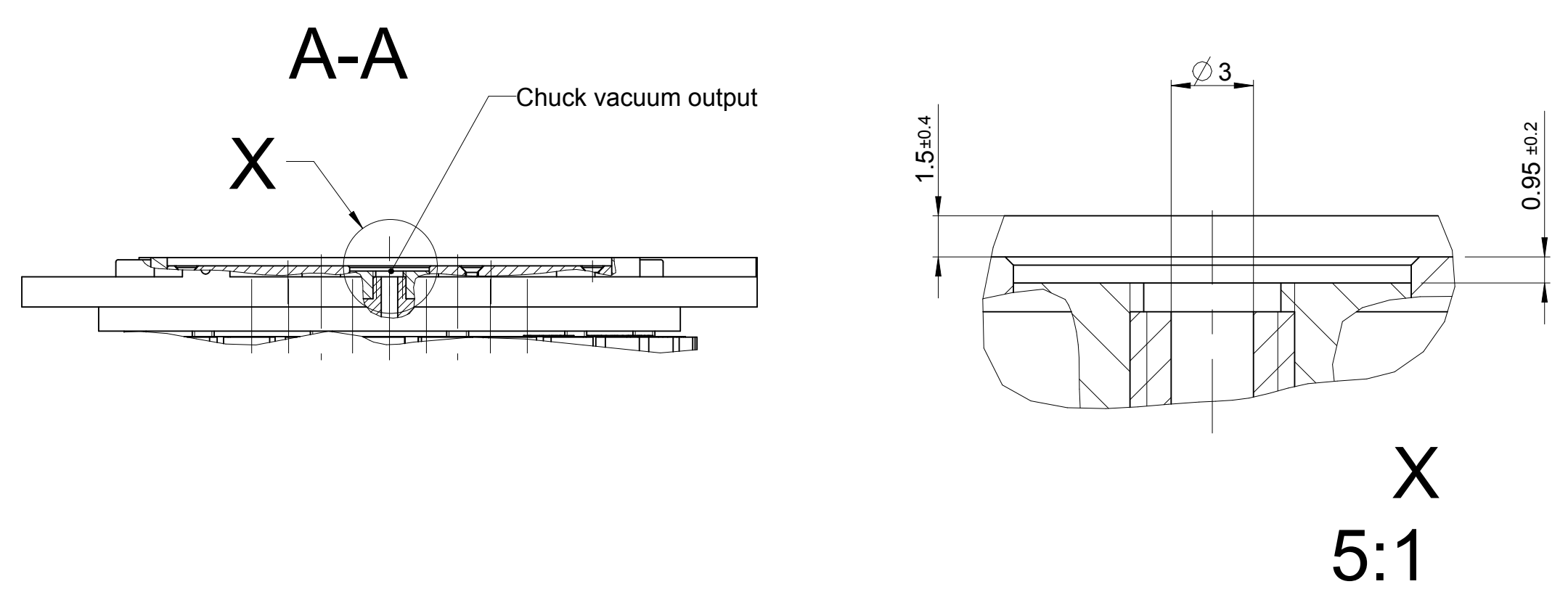
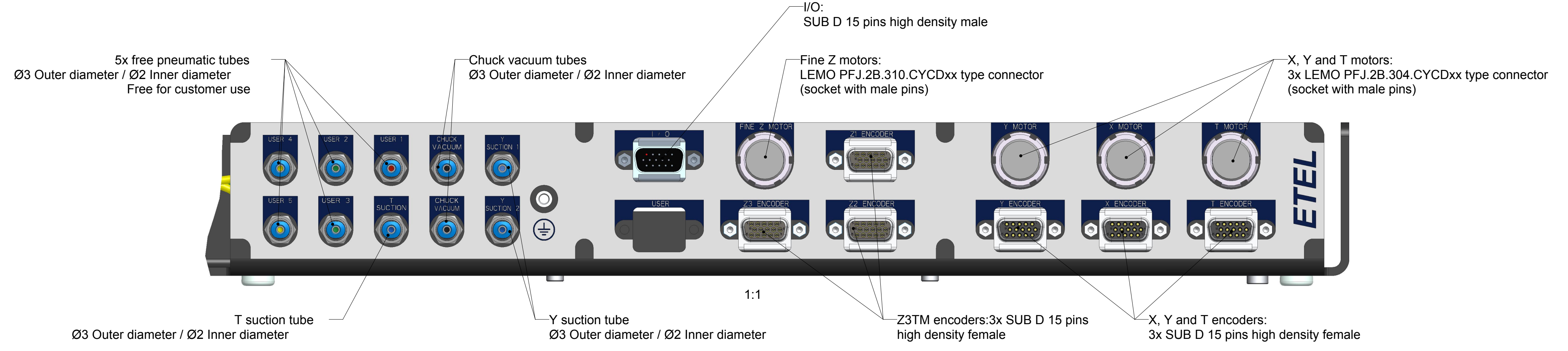
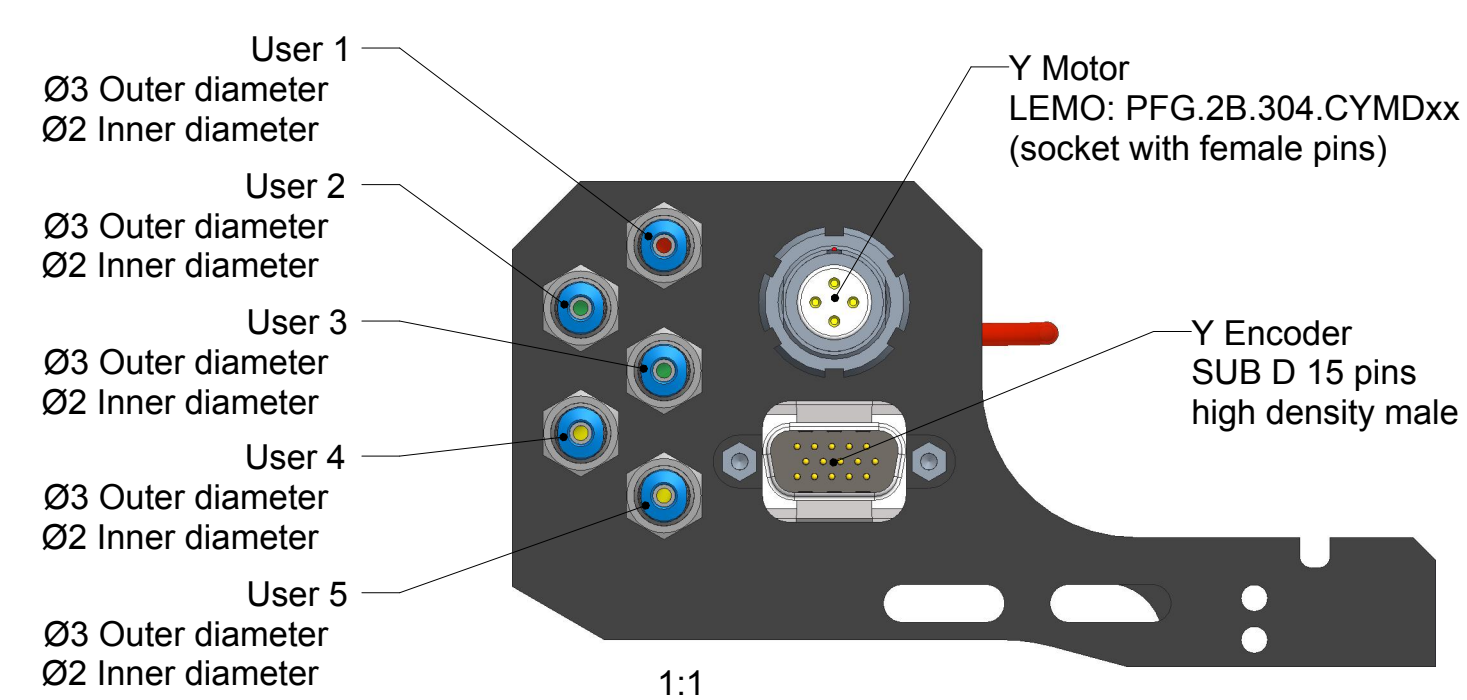
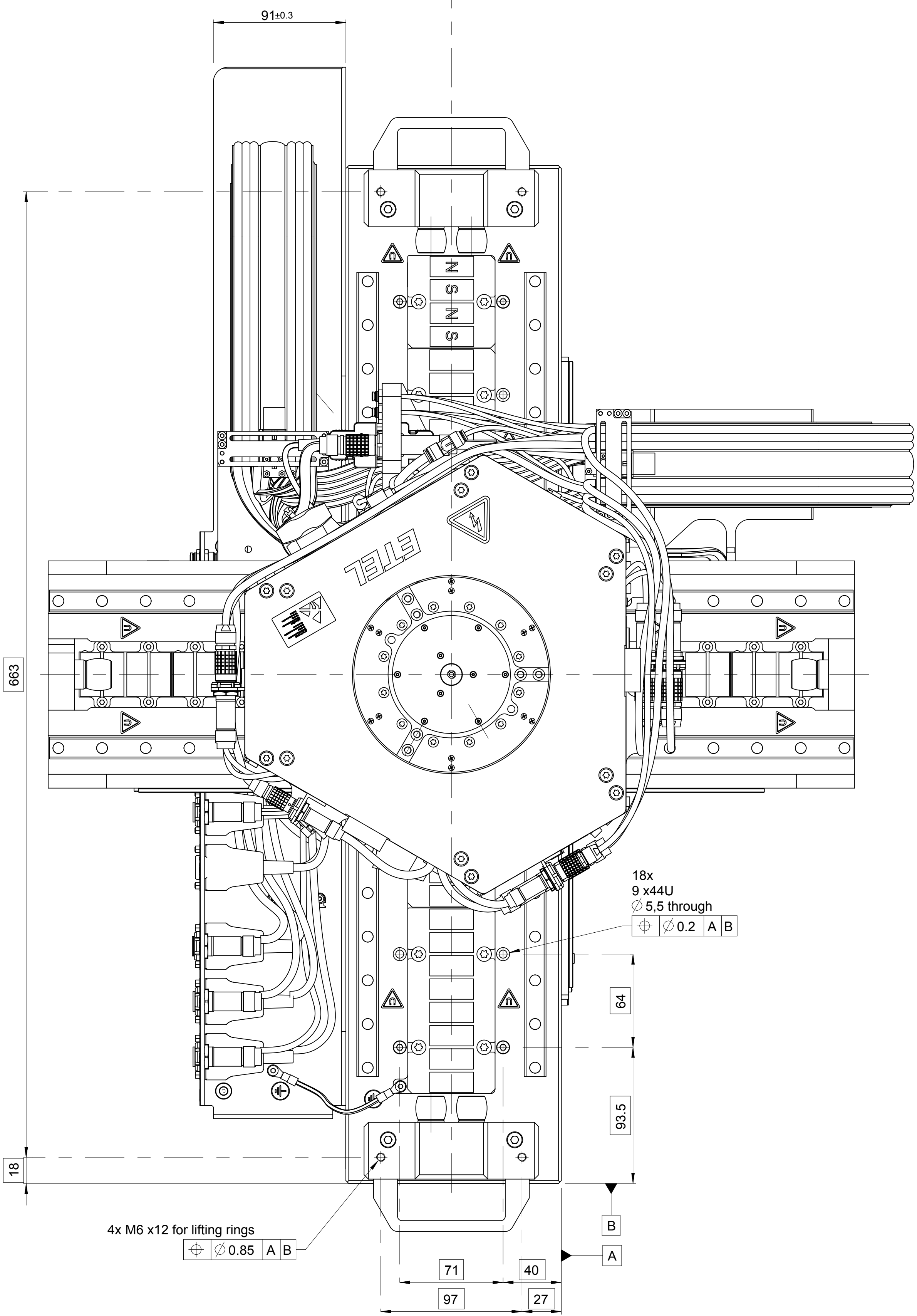


Y Axis

Stroke 355 Minimum

X Axis

Stroke 365 Minimum



It is required to mount Charon 2 stage on granite or equivalent flat surface with a flatness inferior or equal to 3 microns

Text: Remove all words	Change No. 005647-01	Released: 07 Jun-19	ID number: 1267704-01
Original drawing	ASME-NNNN-06-0365-0355xx-XYZ3TM STACKED SYSTEM	Tolerances as per ISO 8015: 2011	Change No. 005647-01
Scale: 1 format	ASME-NNNN-06-0365-0355xx-XYZ3TM STACKED SYSTEM	Dimensions series: ISO 8015: 2011	Released: 07 Jun-19
Dimensions in: 1:2 A0	Making Dimensions / Colors d'encolourissement	Dimensions without tolerance: 0.2	Change No. 005647-01
The reproduction, distribution and utilization of this document as well as the communication of its contents to others without express authorization is prohibited. Offenders will be held liable for the payment of damages. All rights reserved in the event of the grant of a patent, utility model or design. (ISO 16016)			
ETEL S.A. 2112 Môtier SWITZERLAND		1268533-02-A-01	