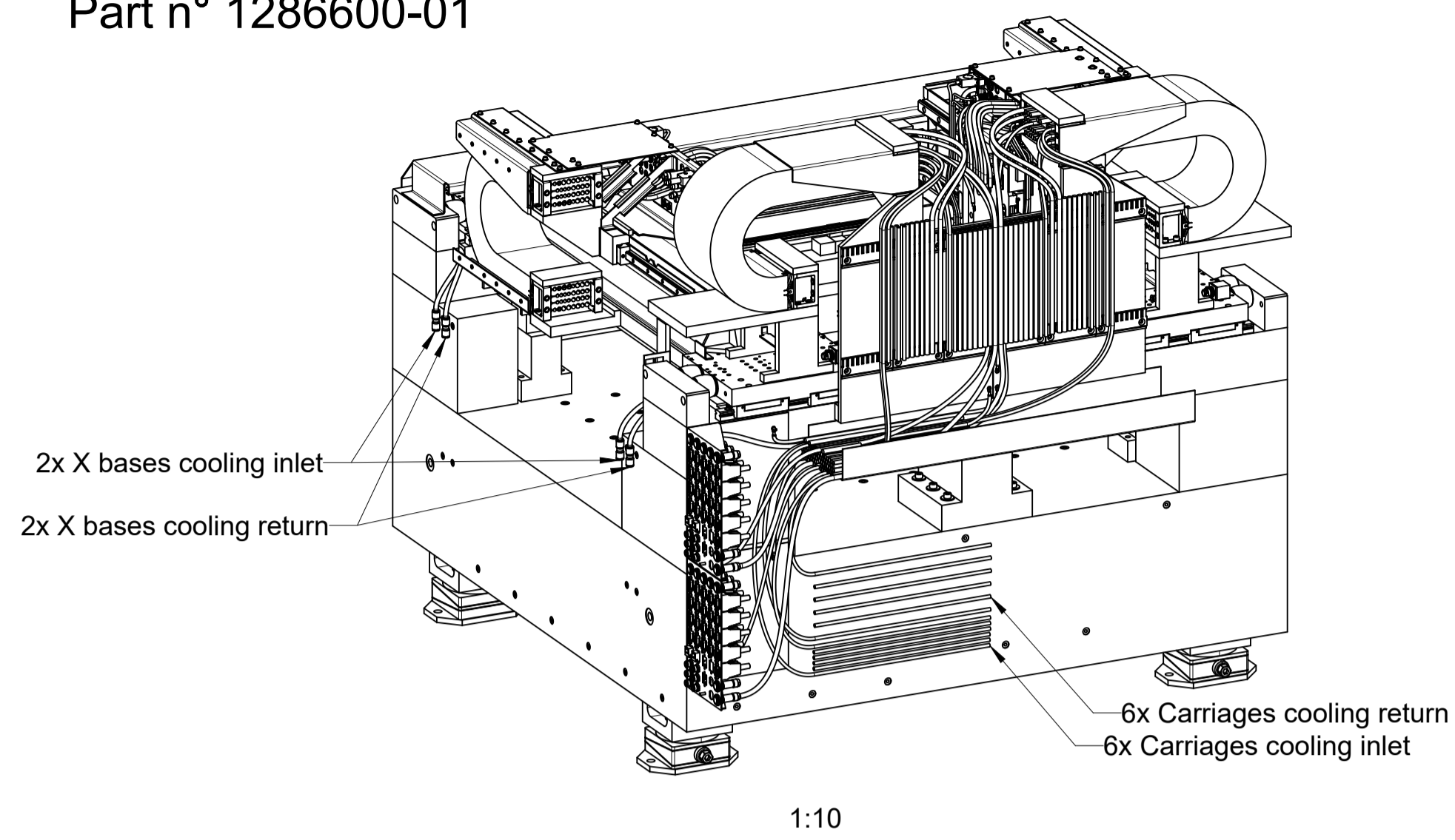


Dual Gantry XYZ
Part n° 1286600-01



Left gantry

X2-L

Z-L

Y-L

X1-L

Right gantry

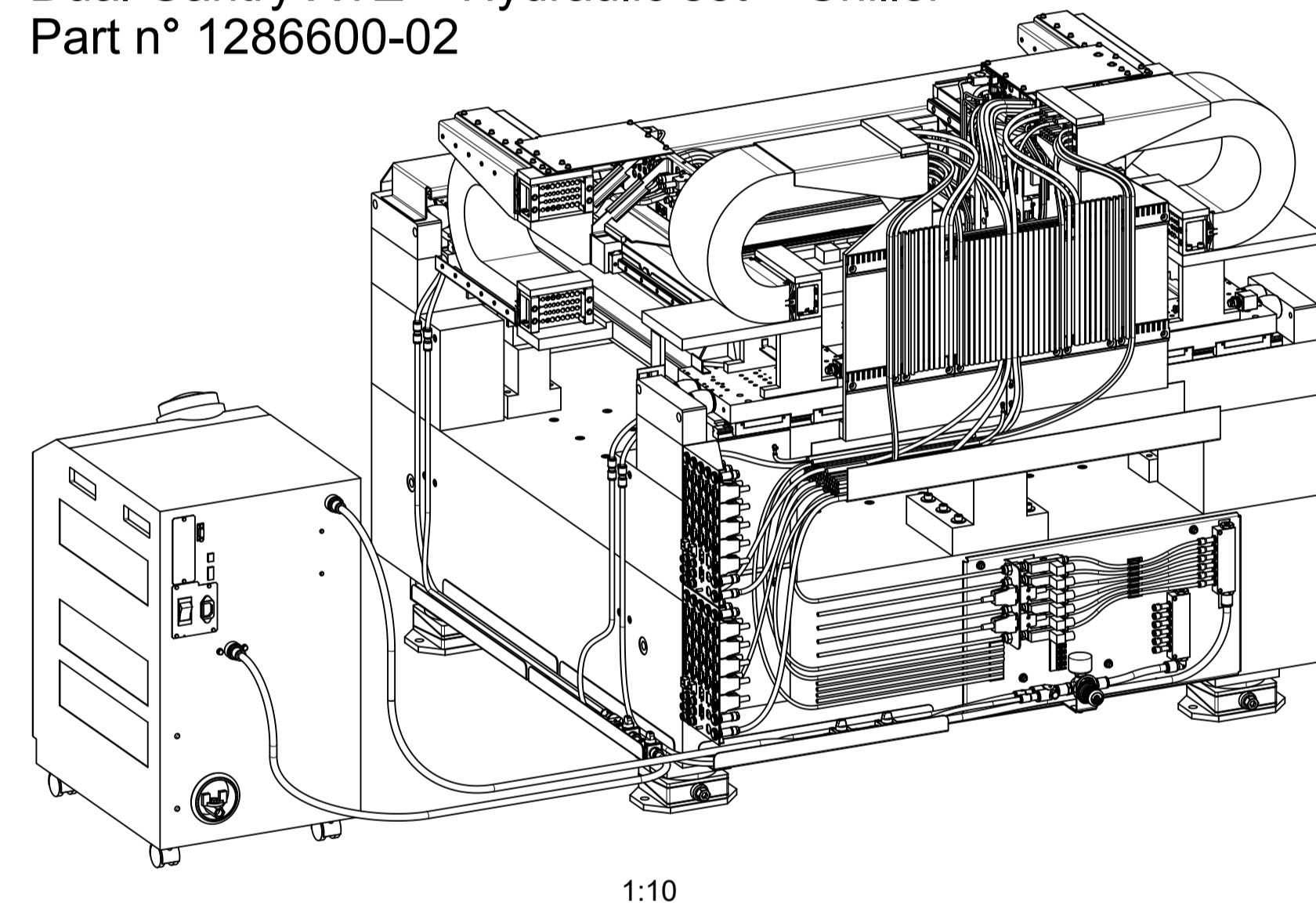
X2-R

Z-R

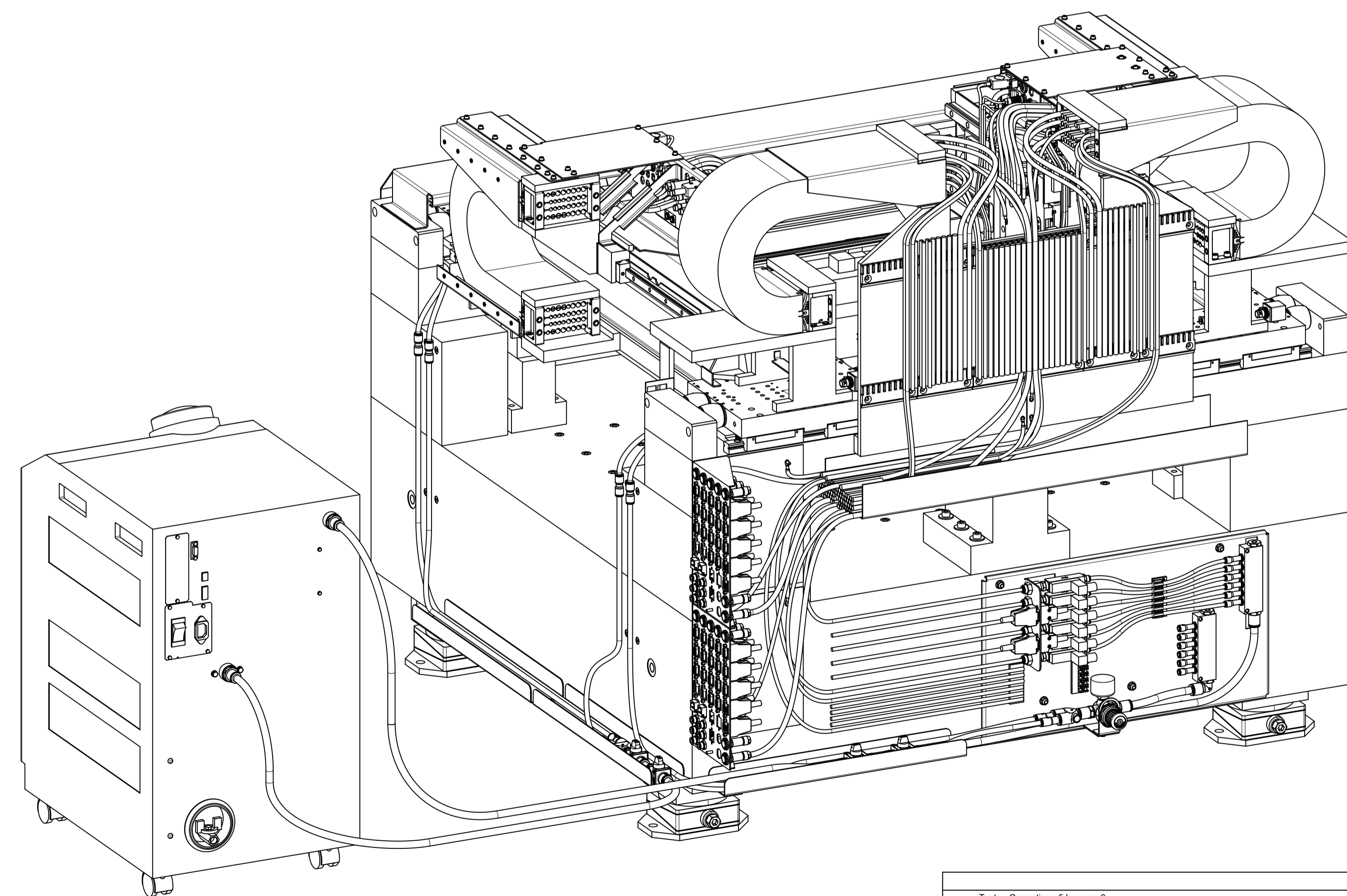
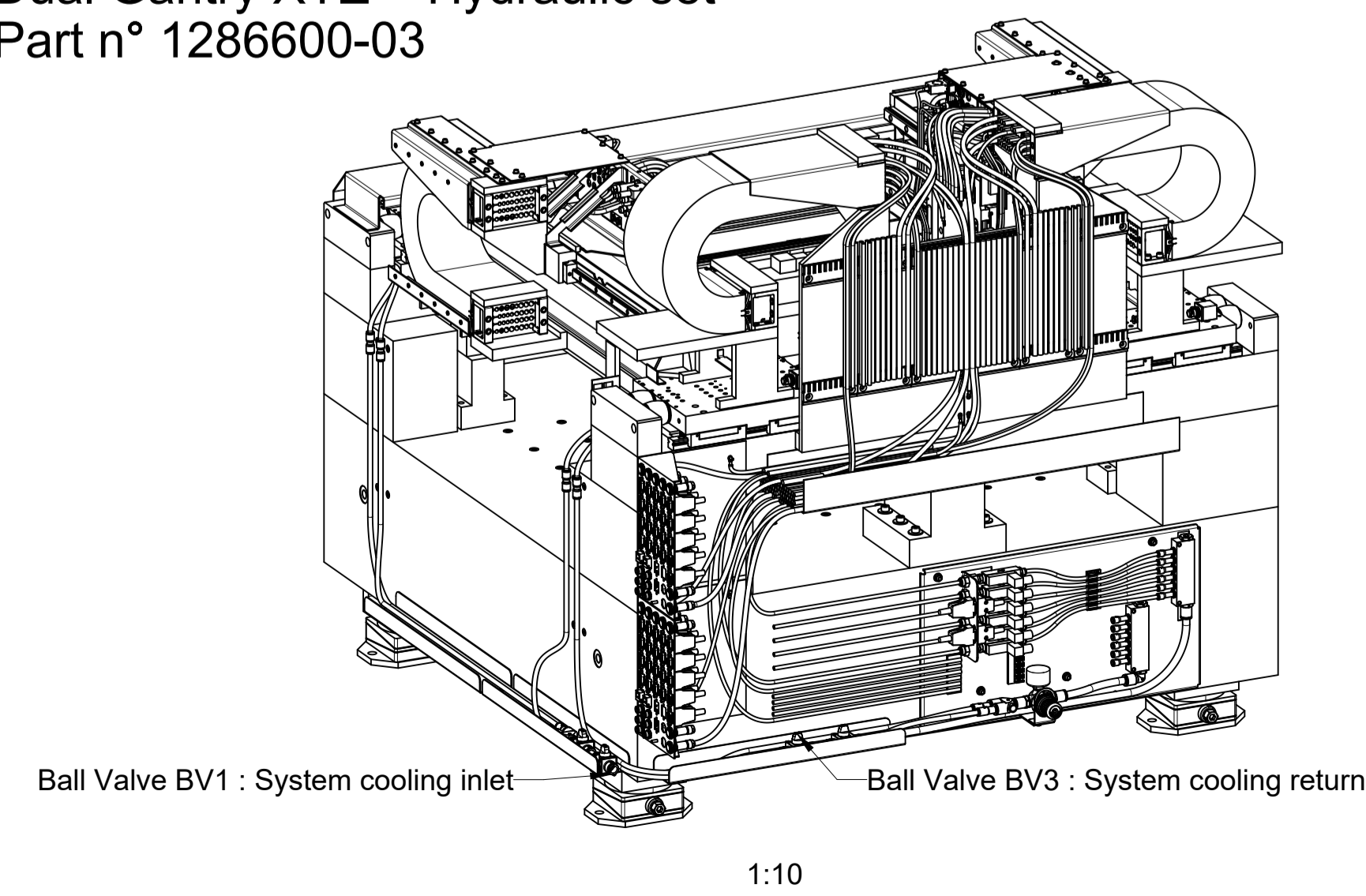
Y-R

X1-R

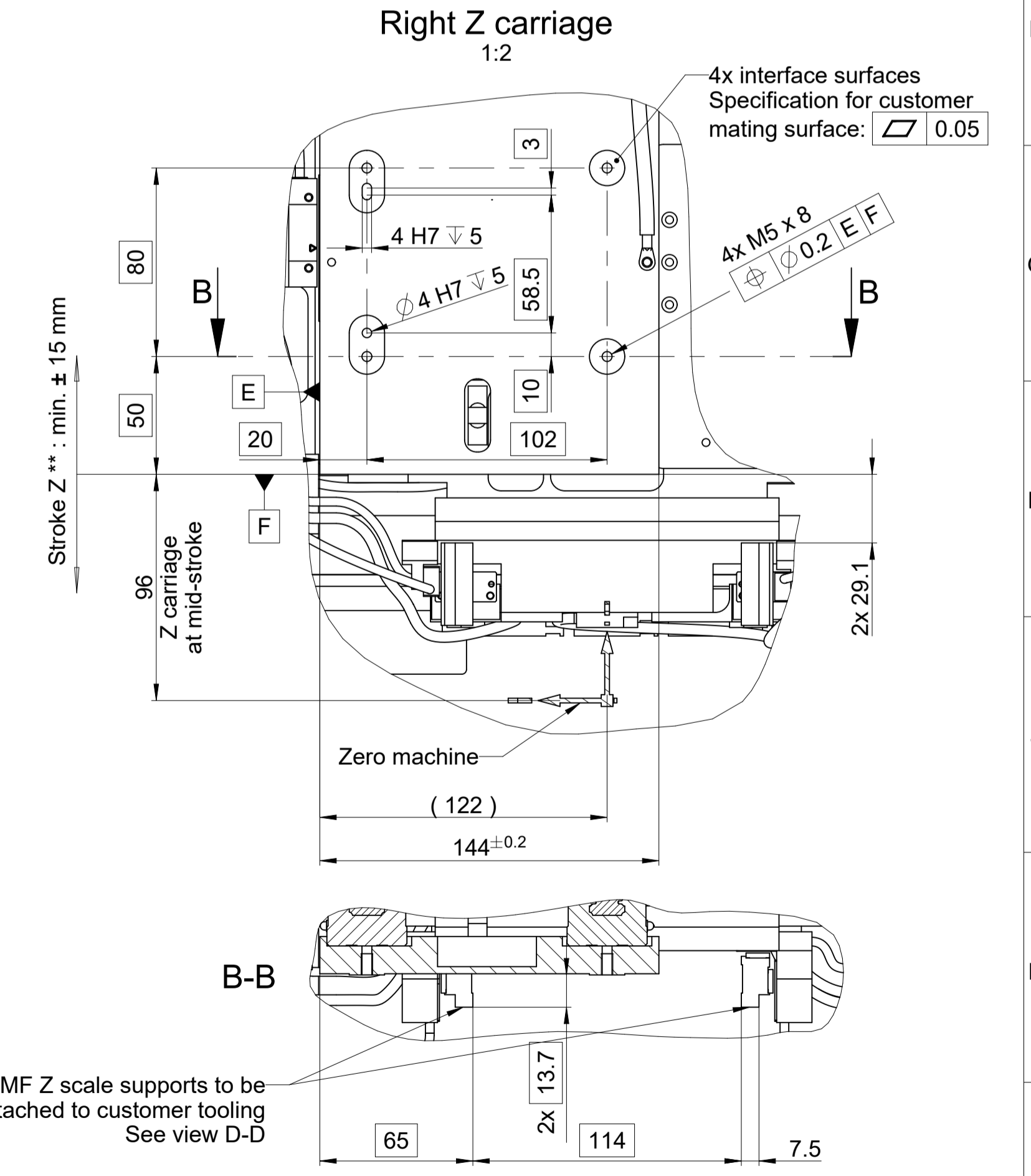
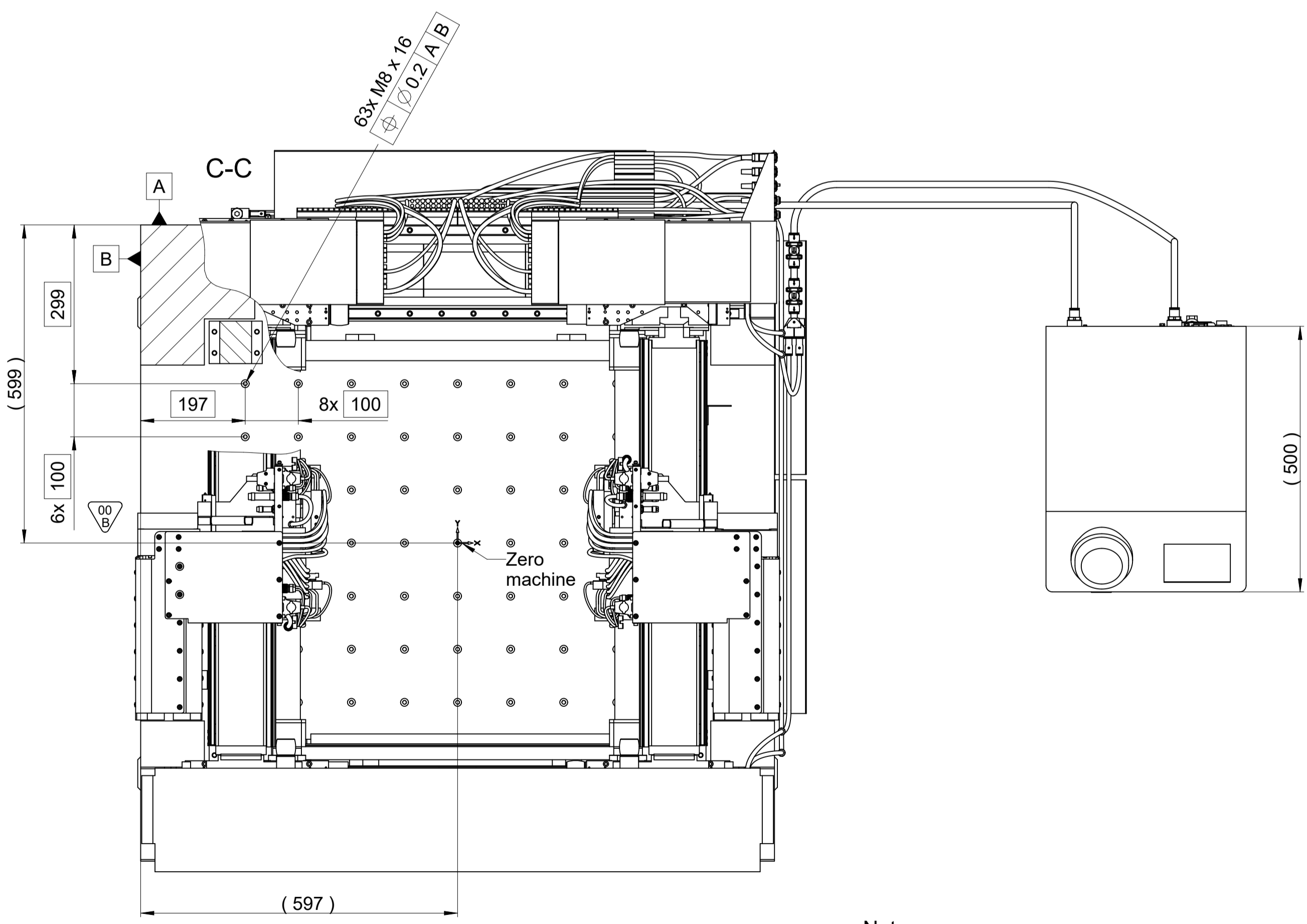
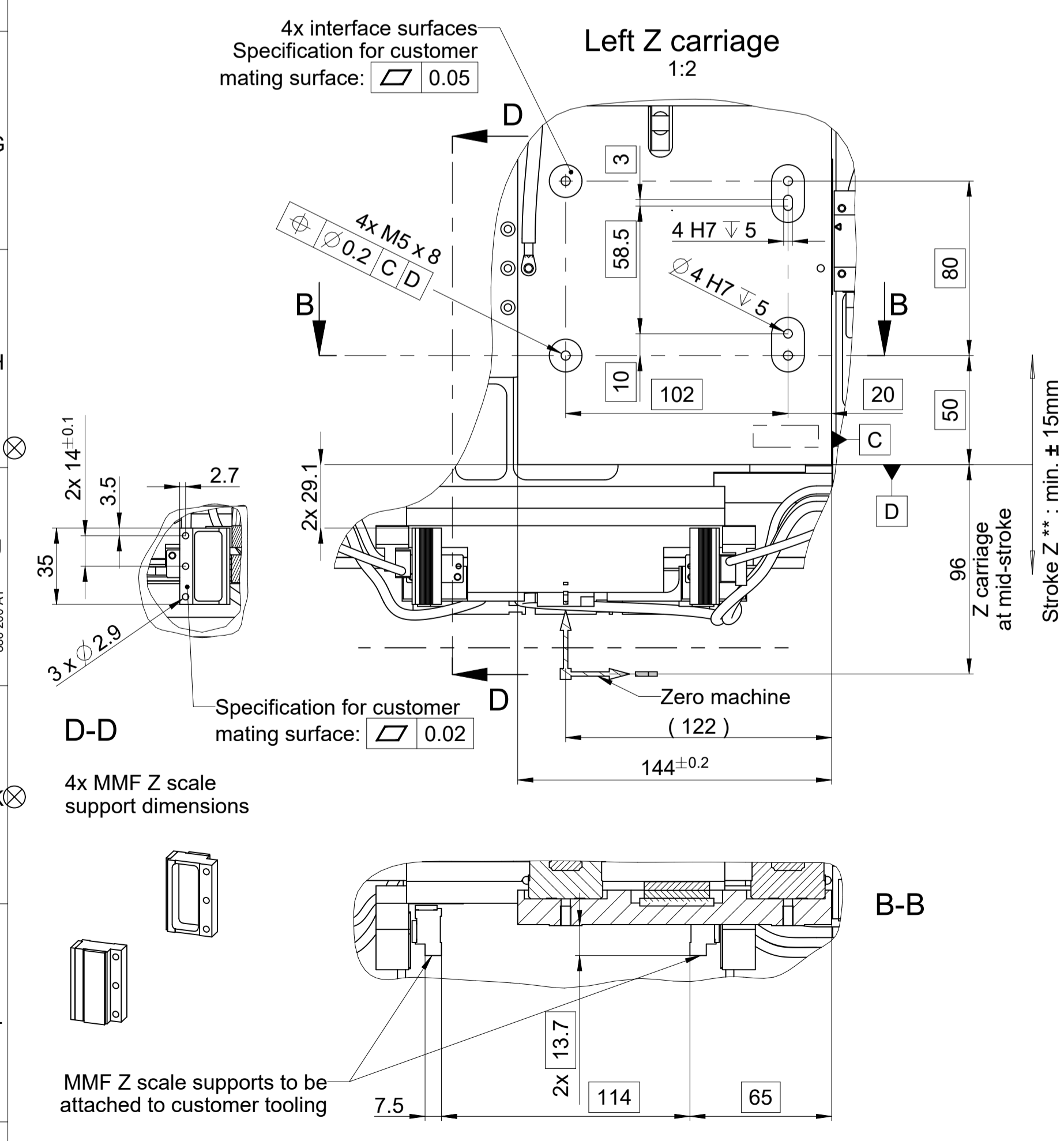
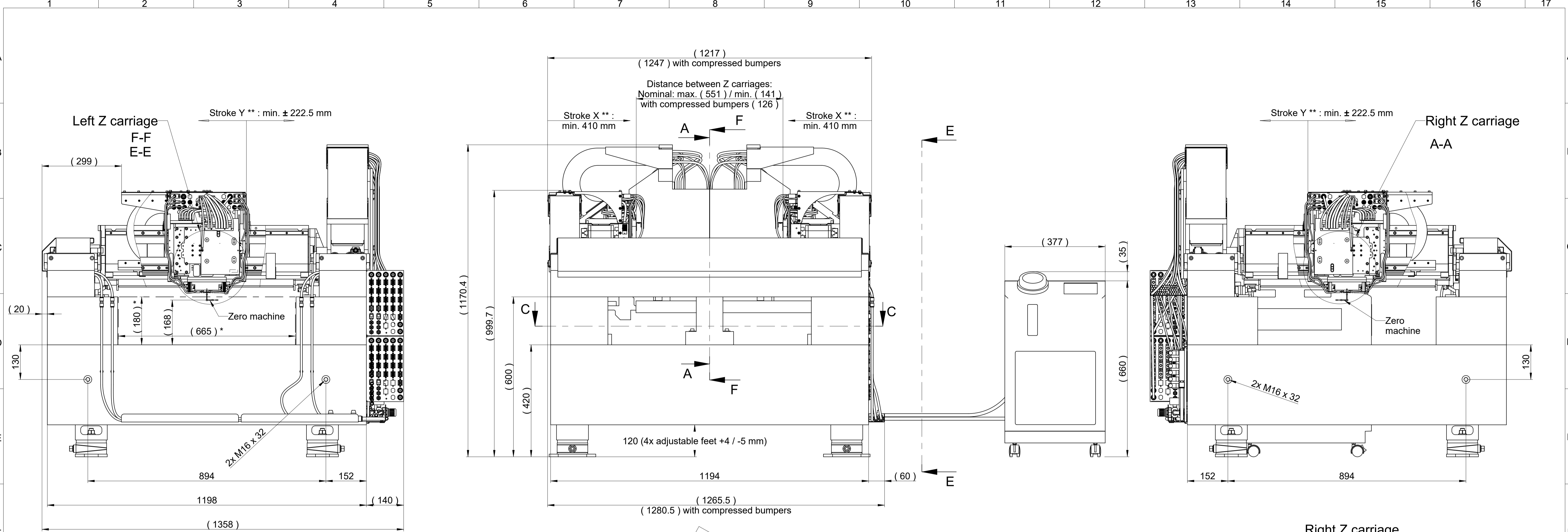
Dual Gantry XYZ + Hydraulic set + Chiller
Part n° 1286600-02



Dual Gantry XYZ + Hydraulic set
Part n° 1286600-03



Text: Correction : 5 become 6		ID number:	
Original drawing		Change No.	C092497-05
Scale: 17:100		Released:	07-Jan-21
Format: A1		Tolerances as per ISO 8015 : 2011	
Dimensions in mm		Tolerances selon ISO 8015 : 2011	
		Dimensions without tolerance	ISO
		Dimensions sans tolérances	2768-mk
The reproduction, distribution and utilization of this document as well as the communication of its contents to others without express authorization is prohibited. Offenders will be held liable for the payment of damages. All rights reserved in the event of the grant of a patent, utility model or design. (ISO 15021)			
ETEL		ETEL S.A. 2112 Möllers SWITZERLAND	Version Revision Sheet Page 1292657-00-B-01 1 of 2



Notes:

- * = Free space for customer tooling
- ** = Nominal strokes
- Strokes with compressed bumpers, to be considered in case of machine error:
 X : 410 + 15 + 15 = 440
 Y : 445 + 15 + 15 = 475
 Z : 30 + 2 + 2 = 34

Text: Correction : 5 become 6		ID number: C092497-05
Original drawing Scale: 7:50 Format: A1		Change No. 07-Jan-21
ASME-YGNN-08-0410-0445W3-XYZ DUAL GANTRY SYSTEM		Released: Tolerances as per ISO 8015 : 2011
ASME-YGNN-08-0410-0445W3-XYZ DUAL GANTRY SYSTEM		Tolerances selon ISO 8015 : 2011
Mating Dimensions / Cotes d'encombrement		Dimensions without tolerance ISO 2768-mK
The reproduction, distribution and utilization of this document as well as the communication of its contents to others without express authorization is prohibited. Offenders will be held liable for the payment of damages. All rights reserved in the event of the grant of a patent, utility model or design. (ISO 18015)		Version Revision Sheet Page
ETEL ETEL S.A. 2112 Möllers SWITZERLAND		1292657-00-B-01 2 of 2