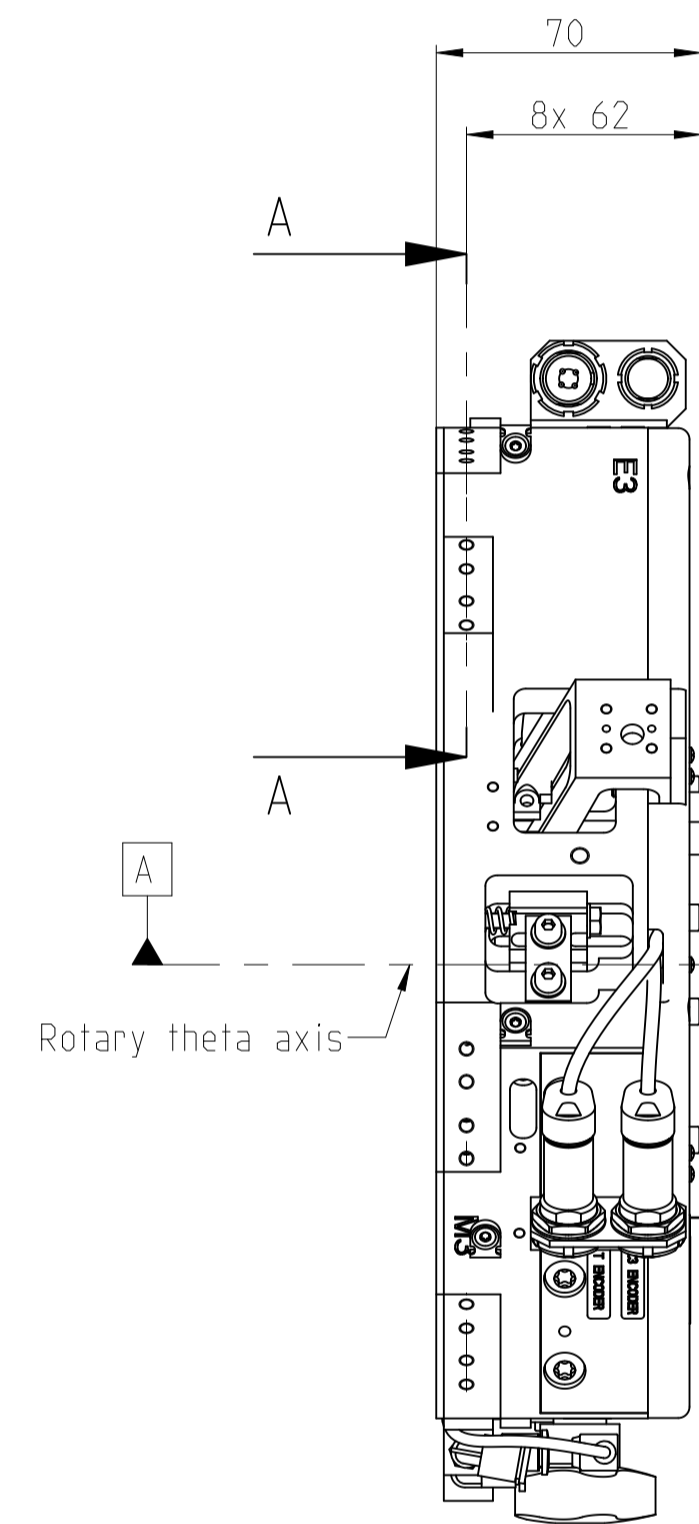
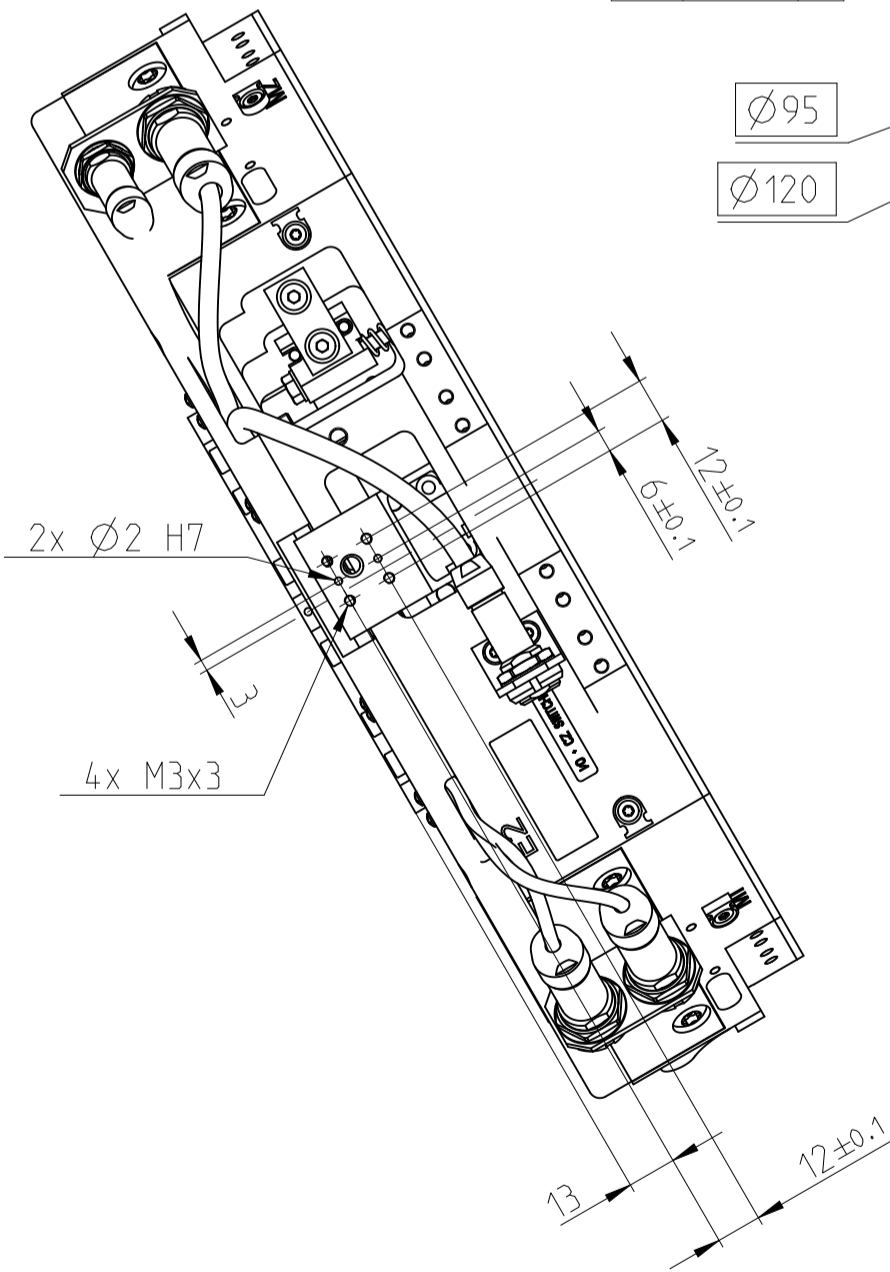
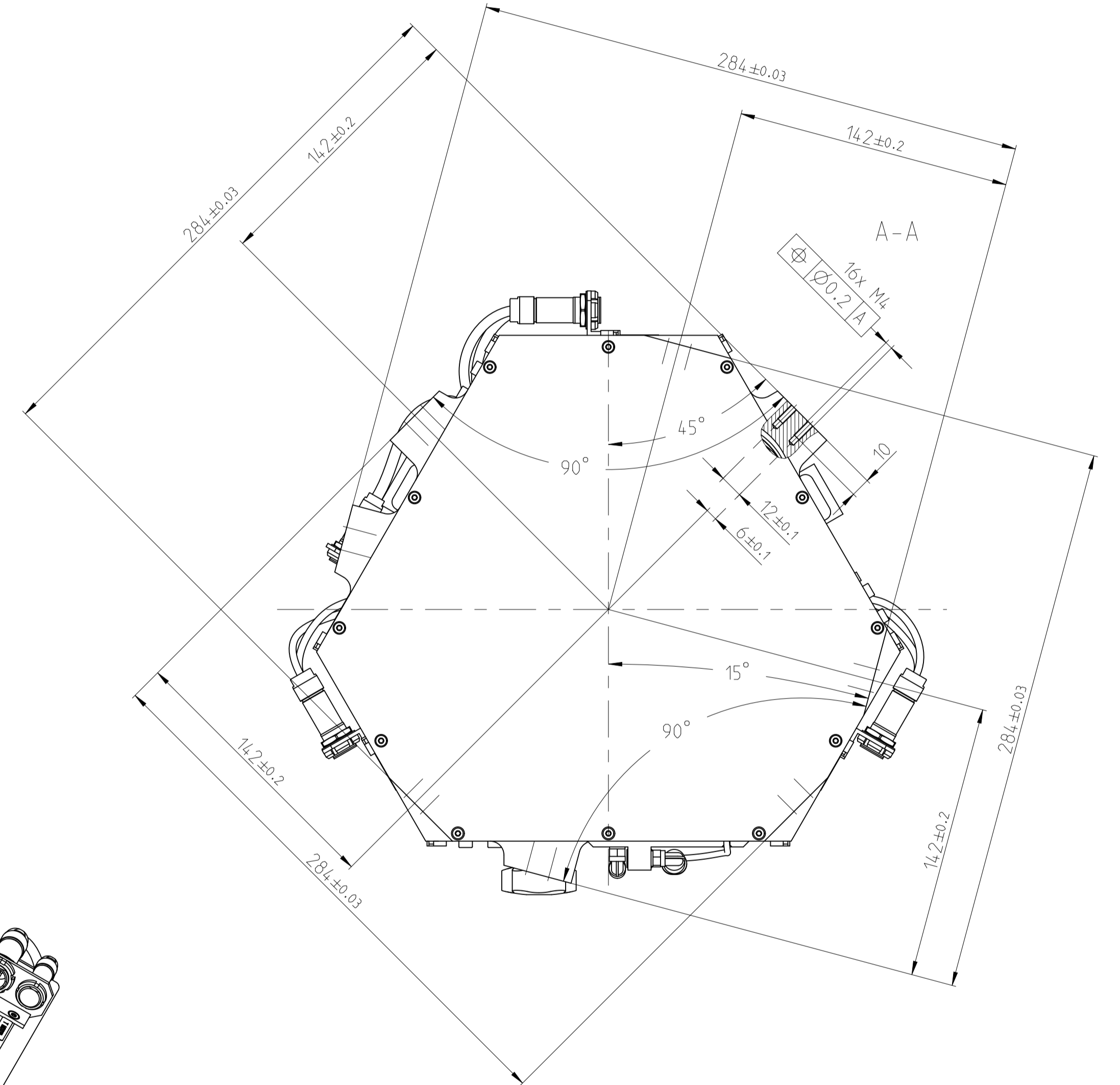
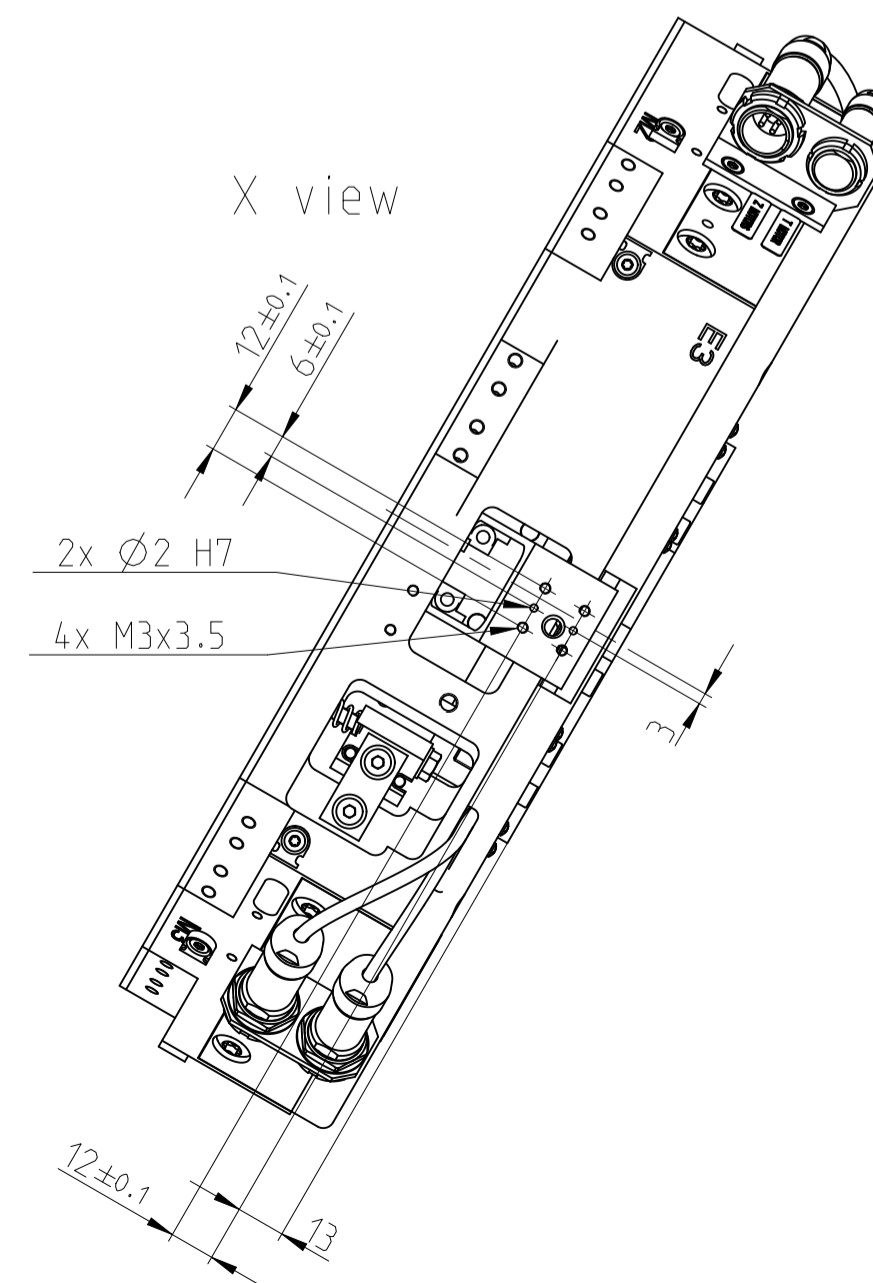


Y view



X view



00	Text : -	1255670-01
	Release n° : C074732-25 Non serial	Part number
Material :	-	
Treatment:	-	
Edges of undefined shape ISO 13715	-	
	±0.3 ±0.3	
Z3TM COMBINED MODULE - WITHOUT CZ		Drawn Checked Approved
Z3TM COMBINED MODULE - WITHOUT CZ		29.05.2018
ETEL S.A. 7112 Mülhens SWITZERLAND	This document is the property of ETEL S.A. and is submitted in confidence. Disclosure, reproduction or application without written authorization is prohibited.	Projection Size Scale Old n°: 800568 Z3TM Version/Revision Sheet Page A1 1:2 1255673 00 A 01 1