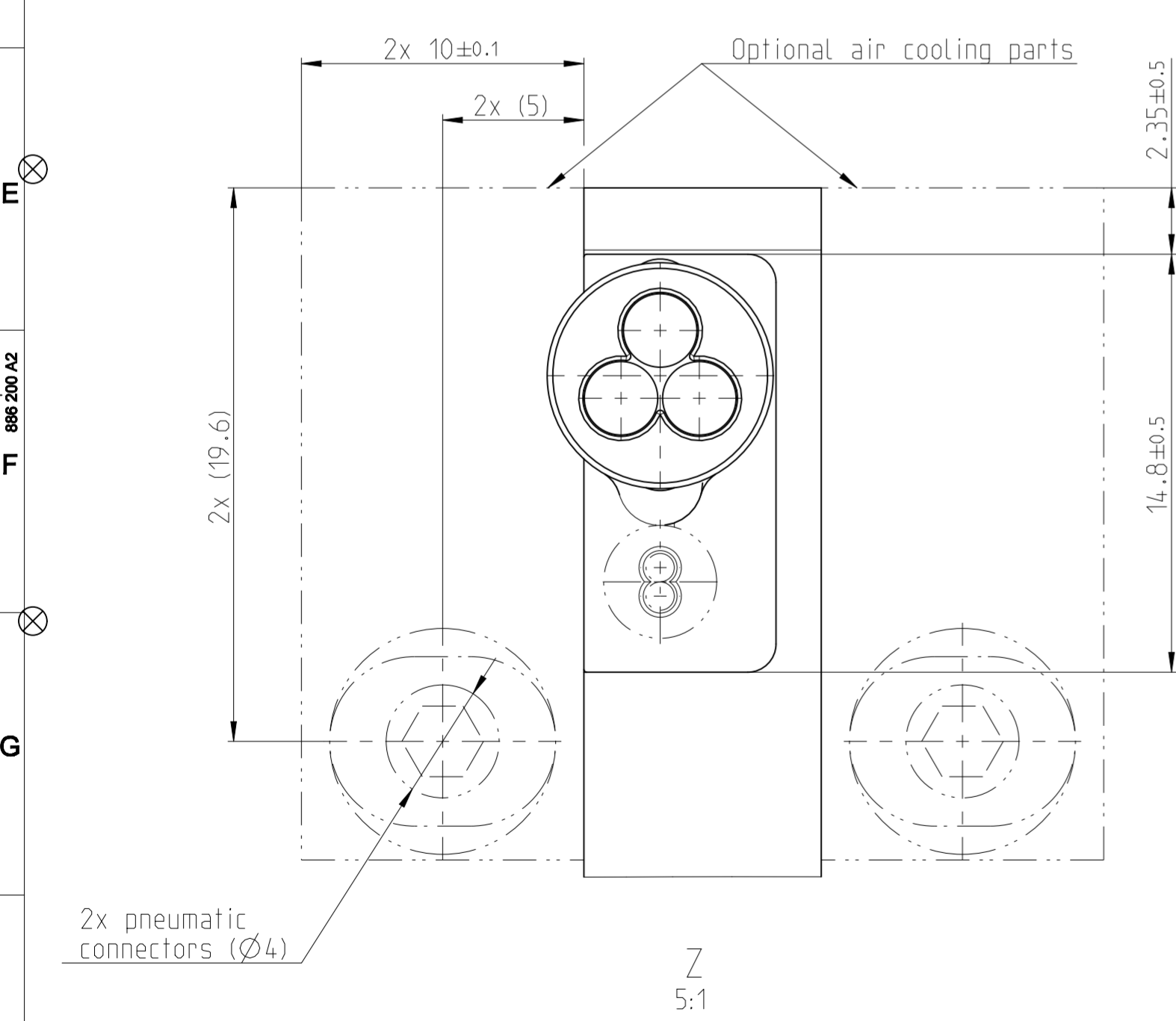
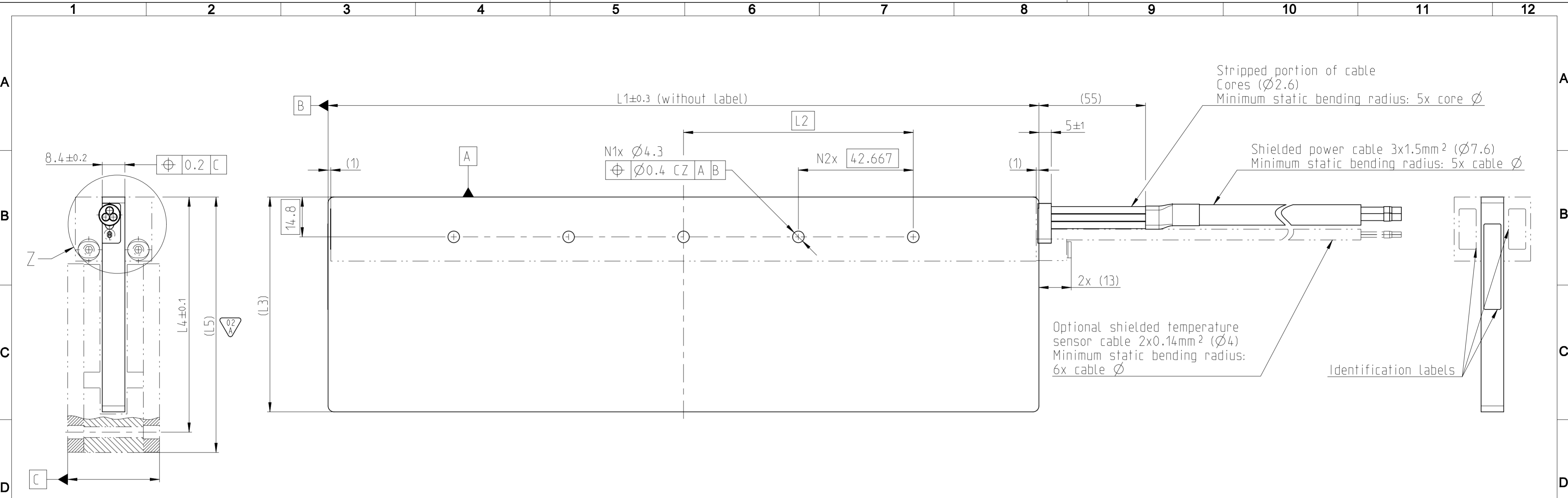


Linear Motors

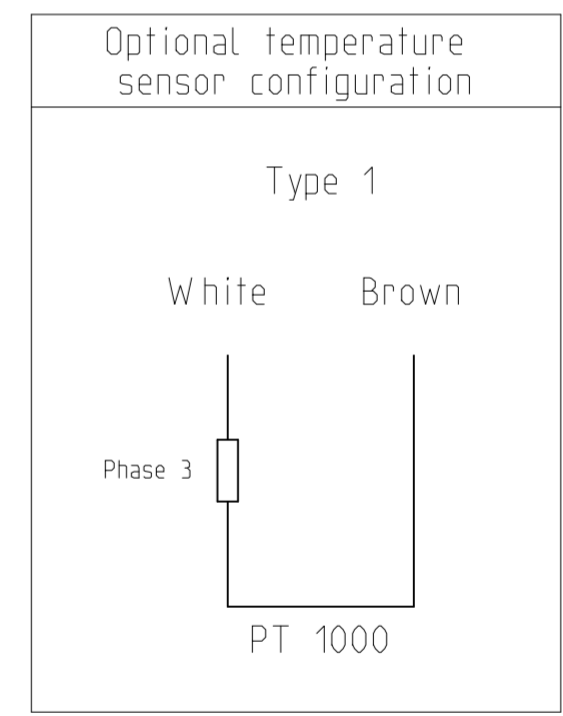
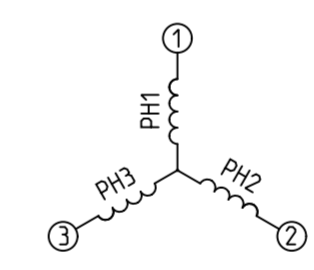
ILM+ INTERFACE DRAWING

ETEL



Power cable connection

Phase 1 = wire 1
 Phase 2 = wire 2
 Phase 3 = wire 3



Designation	L1	L2	L3	L4	L5	N1	N2
ILM+03-040	136	21.333	79.8	87.35	94.9	2	1
ILM+03-060	136	21.333	99.8	117.35	124.9	2	1
ILM+06-040	264	85.333	79.8	87.35	94.9	5	4
ILM+06-060	264	85.333	99.8	117.35	124.9	5	4
ILM+09-040	392	149.333	79.8	87.35	94.9	8	7
ILM+09-060	392	149.333	99.8	117.35	124.9	8	7
ILM+12-040	520	213.333	79.8	87.35	94.9	11	10
ILM+12-060	520	213.333	99.8	117.35	124.9	11	10

Text: -

Original drawing Scale: 1:1 Format: A2

Dimensions in mm

Ironless linear motor ILM+## ## ## ## ##
Moteur linéaire sans fer ILM+## ## ## ## ##

Mating Dimensions / Cotes d'encombrement

ETEL ETEL S.A. 2112 Môtiers SWITZERLAND

1269414-02-A-01

Document number

Version | Revision | Sheet | Page

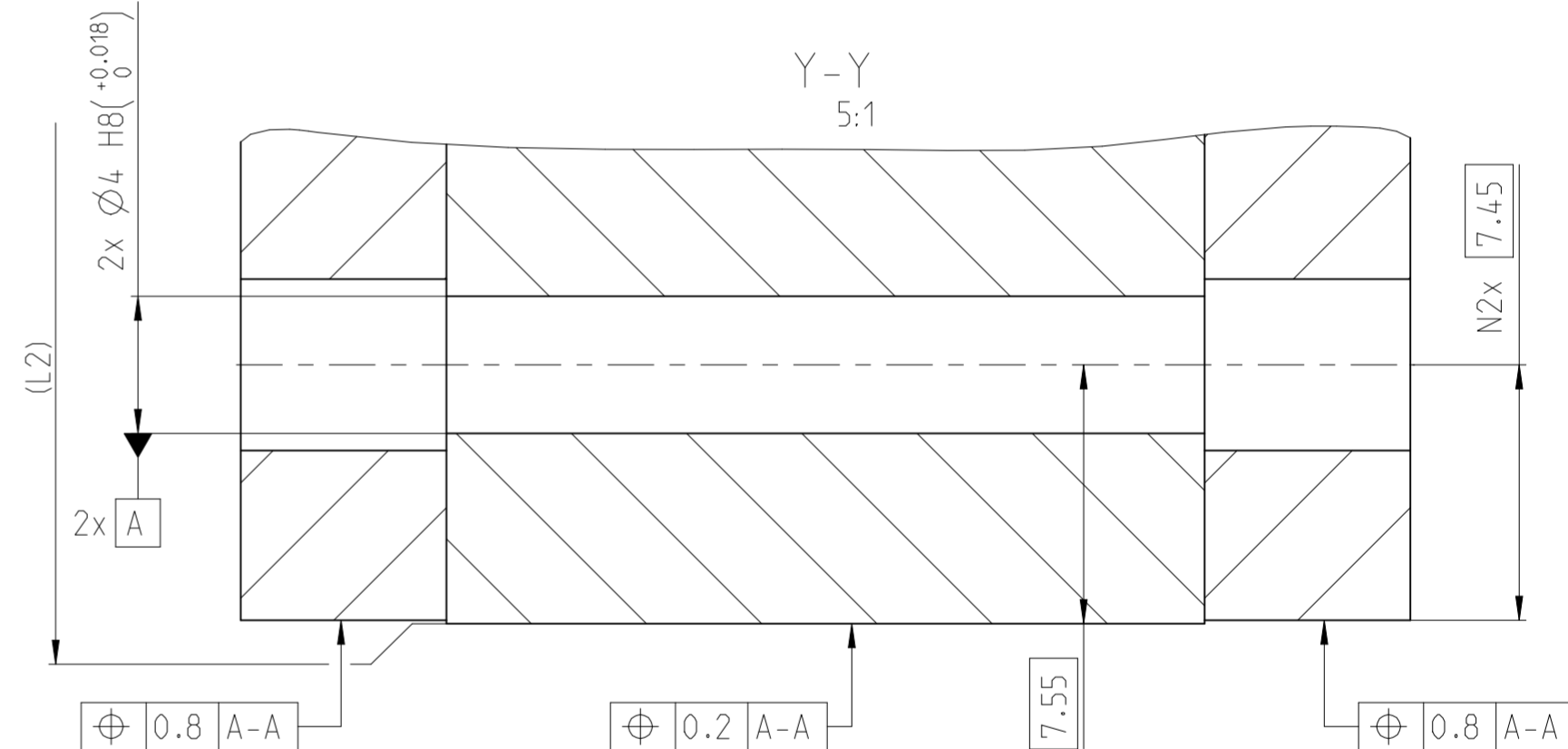
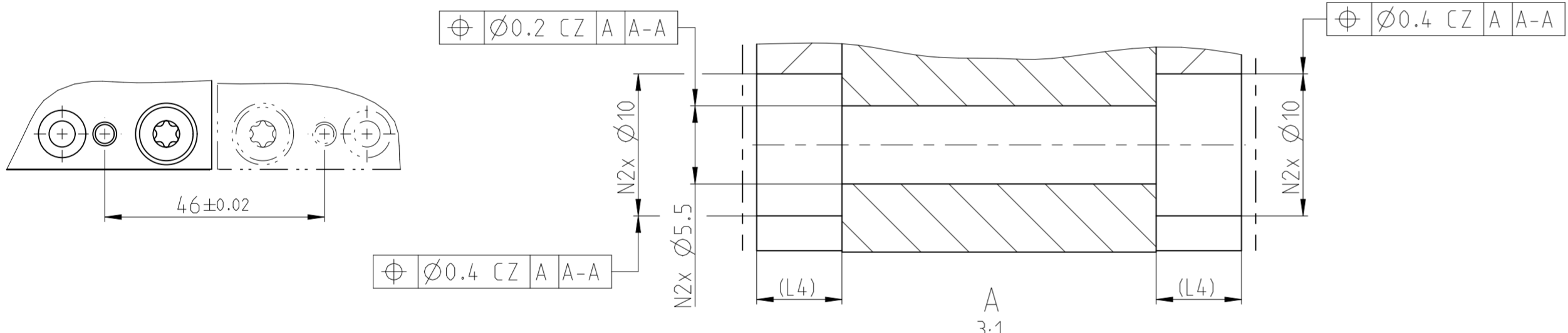
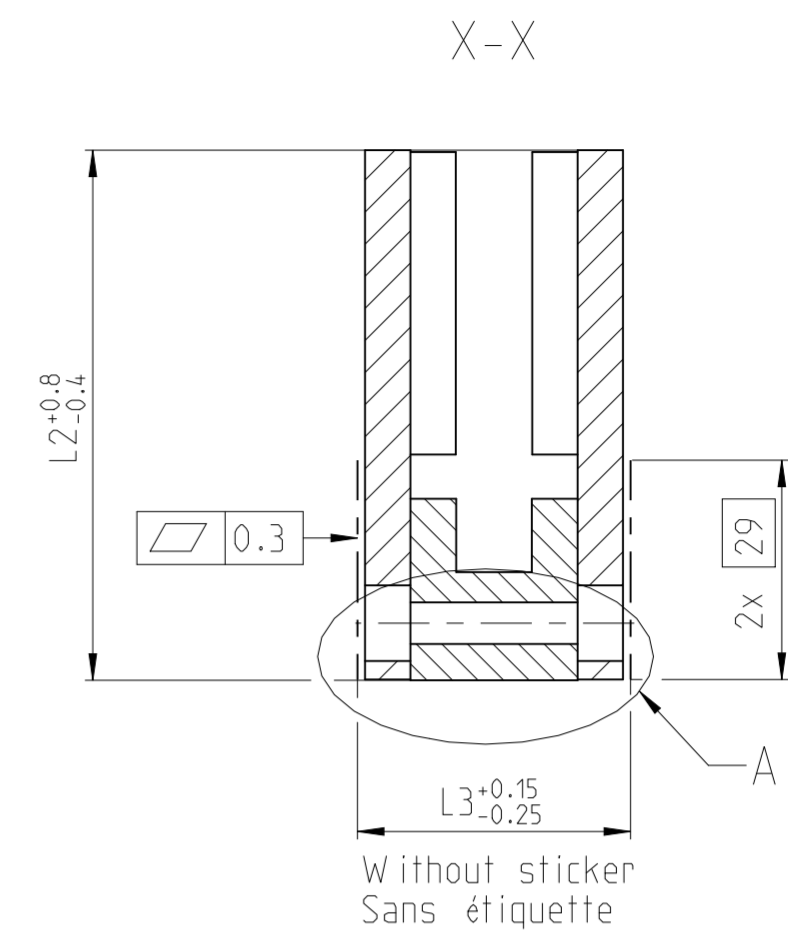
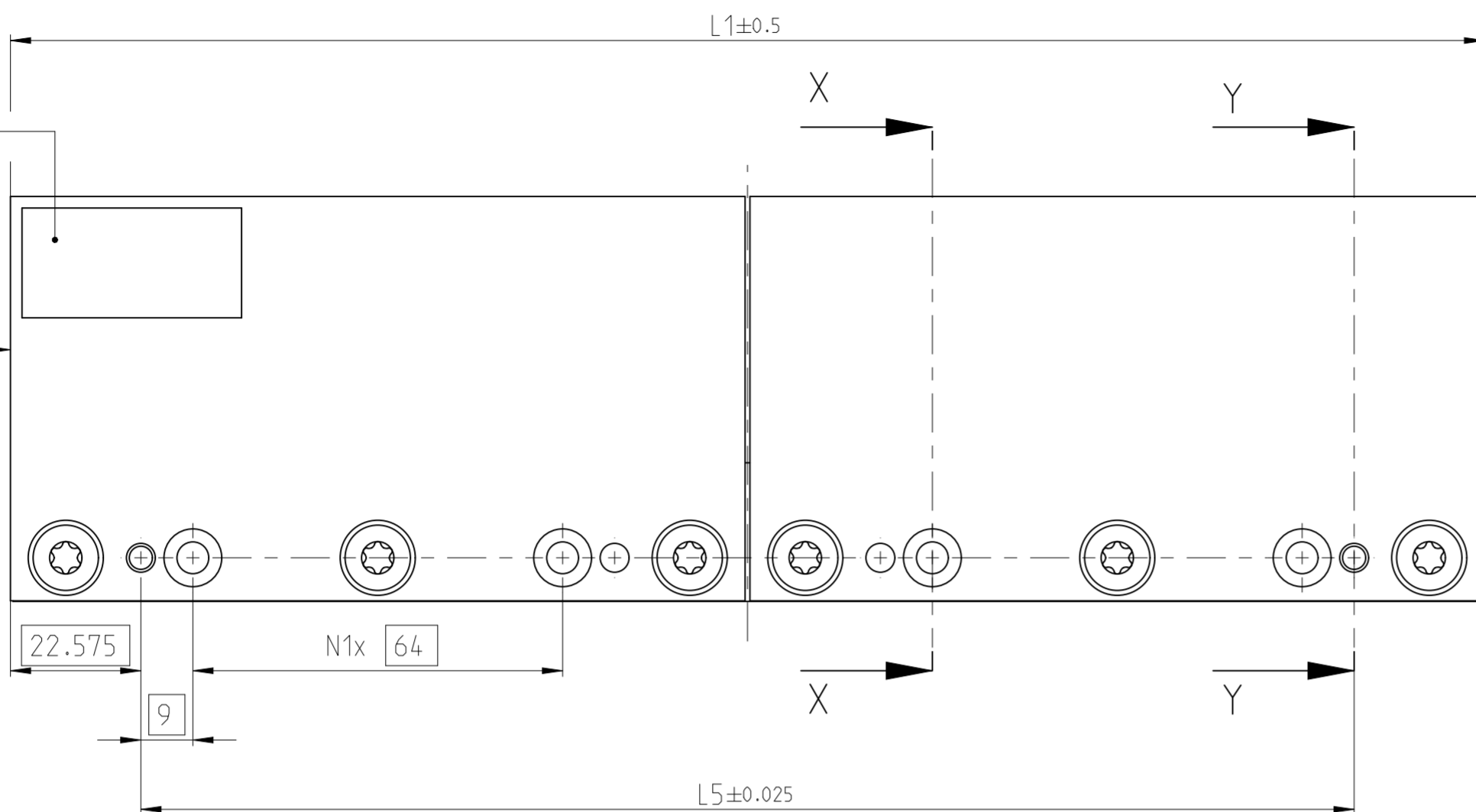
1 | 1 | 1 | 1

ID number: C090833-05
 Change No. 05-Mar-19
 Released: 05-Mar-19
 Tolerances as per ISO 8015 : 2011
 Tolérances selon ISO 8015 : 2011
 Dimensions without tolerance ± 0,2
 Dimensions sans tolérances

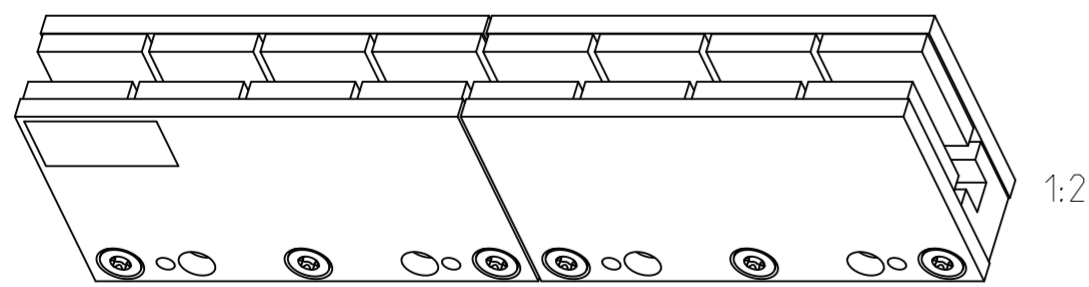
The reproduction, distribution and utilization of this document as well as the communication of its contents to others without express authorization is prohibited. Offenders will be held liable for the payment of damages. All rights reserved. In the event of the grant of a patent, utility model or design. (ISO 16016)

Identification label/
Etiquette d'identification

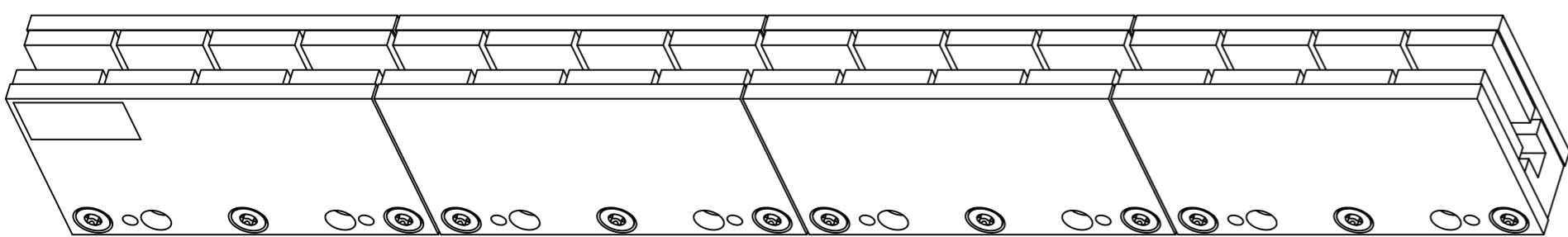
$\oplus 0.5$ A A-A



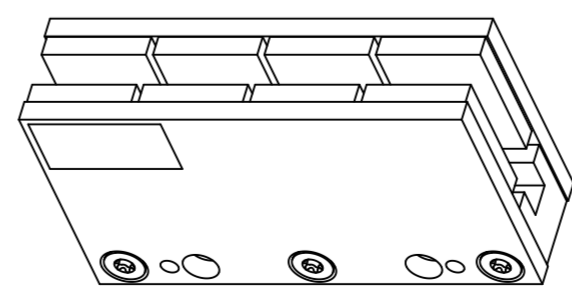
IWM+###-0256



IWM+###-0512



IWM+###-0128



Designation	Part N°	L1	L2	L3	L4	L5	N1	N2
IWM+040-0128	1258335-01	127.15	70.1	34.1	6	82	1	2
IWM+040-0256	1258335-02	255.15				210	3	4
IWM+040-0512	1258335-03	511.15				466	7	8
IWM+060-0128	1258335-04	127.15	100.1	38.1	8	82	1	2
IWM+060-0256	1258335-05	255.15				210	3	4
IWM+060-0512	1258335-06	511.15				466	7	8

Text: -

Original drawing Scale: 1:1 Format: A2

Magnetic way IWM+###-####
Voie magnétique IWM+###-####
Mating Dimensions / Cotes d'encombrement

ID number: C090833-10
Change No. 07-Mar-19
Released: 07-Mar-19
Tolerances as per ISO 8015 : 2011
Tolérances selon ISO 8015 : 2011
Dimensions without tolerance ± 0,2
Dimensions sans tolérances

The reproduction, distribution and utilization of this document as well as the communication of its contents to others without express authorization is prohibited. Offenders will be held liable for the payment of damages. All rights reserved. In the event of the grant of a patent, utility model or design. (ISO 16016)

ETEL ETEL S.A. 2112 Môtiers SWITZERLAND

Version: Revision: Sheet: Page: 1 of 1

1258335-02-A-01
Document number